



## Front plate - SI-FP-R1A-D1A - 1404496

Please be informed that the data shown in this PDF Document is generated from our Online Catalog. Please find the complete data in the user's documentation. Our General Terms of Use for Downloads are valid (<http://phoenixcontact.com/download>)



Front plate with contact inserts, plastic with shroud, 1 x RJ45, 8-pos. metal, CAT5e (socket/socket); 1 x 9-pos. D-SUB (socket/socket)

Front plate



### Key Commercial Data

Packing unit	1 pc
Weight per Piece (excluding packing)	40.0 g
Custom tariff number	85366990
Country of origin	Czech Republic

### Technical data

#### Ambient conditions

Ambient temperature (operation)	-10 °C ... 60 °C
---------------------------------	------------------

#### Material data

Housing material	PBT
------------------	-----

### Classifications

#### eCl@ss

eCl@ss 4.0	27140816
eCl@ss 4.1	27140816
eCl@ss 5.0	27189239
eCl@ss 5.1	27144001
eCl@ss 6.0	27144001
eCl@ss 7.0	27144001
eCl@ss 8.0	27189217

## Front plate - SI-FP-R1A-D1A - 1404496

### Classifications

#### ETIM

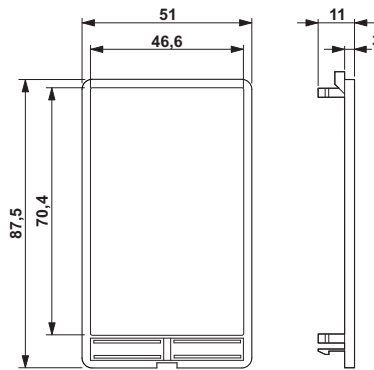
ETIM 3.0	EC000007
ETIM 4.0	EC001855
ETIM 5.0	EC000456

#### UNSPSC

UNSPSC 6.01	31261501
UNSPSC 7.0901	31261501
UNSPSC 11	31261501
UNSPSC 12.01	31261501
UNSPSC 13.2	31261501

### Drawings

Dimensional drawing



## Looking for pricing, stock, or lifecycle information?

Click below to explore more details on WIN SOURCE:

 [View 09990000521 on WIN SOURCE](#)

 [HARTING](#) Information

## Optimize Your Supply Chain with WIN SOURCE Solutions

-  Global Sourcing Solution
-  Obsolete Management
-  Cost Control Management
-  Shortage Management
-  Alternative Solution
-  Excess Inventory Management