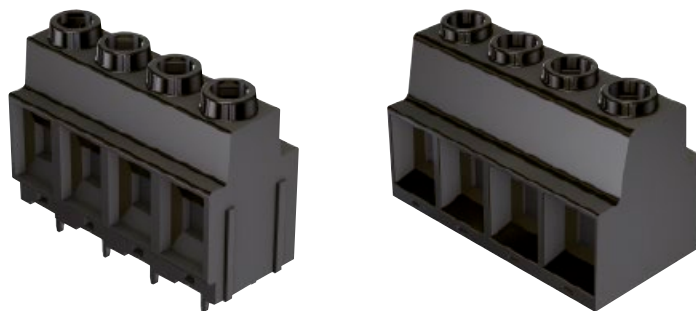




THE DATASHEET OF
09990000503



PCB terminal blocks,
horizontal with screw termination
10 mm² / 25 mm²
for reflow soldering
pitch 10.16 / 15.00 mm



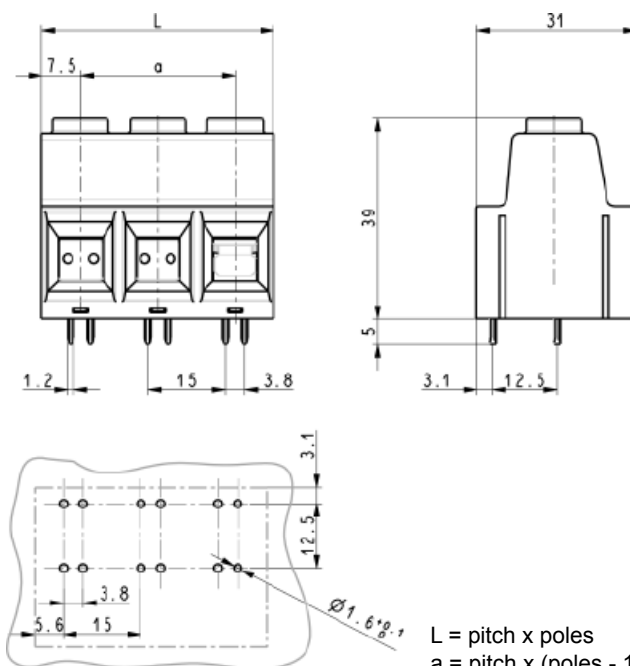
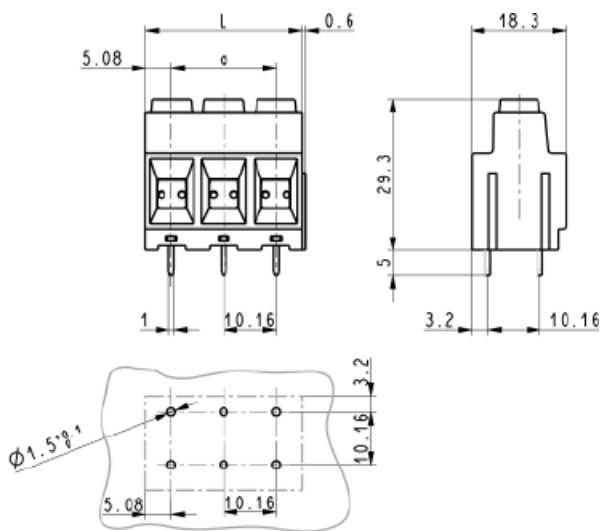
Drawing

Dimensions in mm

Dimensions

Pitch 10.16 mm

Pitch 15.00 mm



L = pitch x poles
a = pitch x (poles - 1)

L = pitch x poles
a = pitch x (poles - 1)

Technical characteristics

Technical data

Rated current 60 / 135 A
Pitch 10.16 / 15.00 mm

Surge voltage category /
pollution degree

| | | |
|-------|-------|------|
| III/3 | III/2 | II/2 |
| 1 kV | 1 kV | 1 kV |
| 8 kV | 8 kV | 8 kV |

Rated voltage

Rated surge voltage

Material data

Group of insulation material I
Type of insulation material PA / PPA
Flammability rating per UL 94 V0
Operating temperature -40 °C ... +110 °C
Contact material copper alloy
Contact plating tin plated
UL approval (E 102079)



Conductor and solder pin data

Connection technology wire screw termination
Conductor size
solid / stranded 0.5 - 16 / 0.5 - 10 mm²
stranded with ferrules without / with plastic sleeve 0.5 - 6 / 0.5 - 6 mm²
Conductor size AWG 20 - 6
Screw thread M4
Tightening torque 1.2 - 1.5 Nm
Stripping length 11 mm
Solder pin: drilled hole diameter min. 1.5 mm

Pitch 10.16 mm

screw termination

0.5 - 16 / 0.5 - 10 mm²
0.5 - 6 / 0.5 - 6 mm²

20 - 6

M4

1.2 - 1.5 Nm

11 mm

min. 1.5 mm

Pitch 15.00 mm

screw termination

0.5 - 35 / 0.5 - 25 mm²
0.5 - 16 / 0.5 - 16 mm²

20 - 1

M5

2.1 - 2.5 Nm

18 mm

min. 1.6 mm

Looking for pricing, stock, or lifecycle information?

Click below to explore more details on WIN SOURCE:

 [View 09990000503](#) on WIN SOURCE

 [HARTING](#) Information

Optimize Your Supply Chain with WIN SOURCE Solutions

-  Global Sourcing Solution
-  Obsolete Management
-  Cost Control Management
-  Shortage Management
-  Alternative Solution
-  Excess Inventory Management