



**THE DATASHEET OF**  
**09562515513**

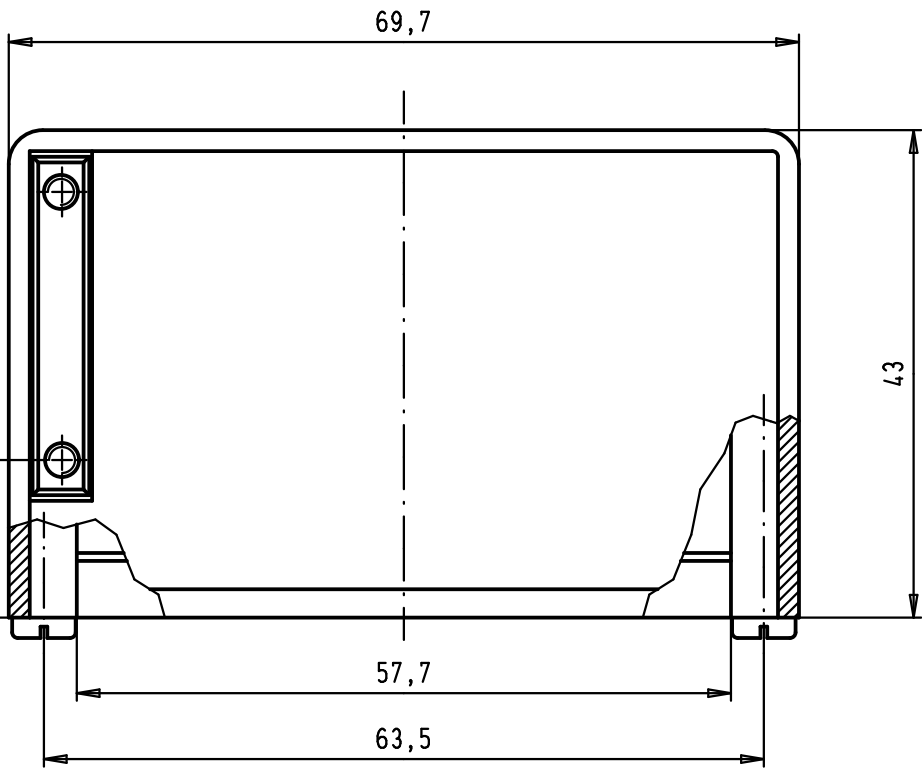


5 4 3 2 1



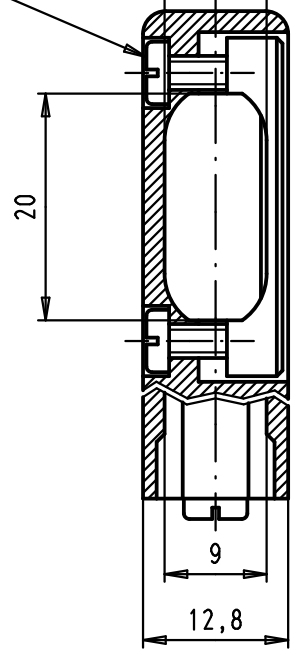
Slotted pan head tapping screws  
DIN 7971-ST 2,9x6,5-F  
screwing torque=35Ncm +/-5Ncm

4,3



Slotted pan head tapping screws  
DIN 7971-ST 2,2 x 9,5-F  
Maximum screwing torque= 0,25 mN

Min. 5,75  
Max. 9



D

C

B

A

				Det.	Name	
			Detail.	28/03/02	CV	
			Insp.	25-MAY-11	JMDV	
EC03223	25-MAY-11	SD	Stand.			

D-Sub, hood 37 poles  
for spring or slide  
locking, side cable entry

Maßstab/  
Scale  
1,5:1

09 67 037 0513	Thermoplastic metallized
09 67 037 0511	Thermoplastic grey RAL 7032
Part number	Material

34886	26/02/08	PK
29760	28/03/02	CV
Mod.	Det.	Name

HARTING EURL  
F-95972 Paris



TB 09 67 037 051X  
Sub.

Blatt/ Page  
1 / 1

## Looking for pricing, stock, or lifecycle information?

Click below to explore more details on WIN SOURCE:

 [View 09562515513 on WIN SOURCE](#)

 [HARTING](#) Information

## Optimize Your Supply Chain with WIN SOURCE Solutions

-  Global Sourcing Solution
-  Obsolete Management
-  Cost Control Management
-  Shortage Management
-  Alternative Solution
-  Excess Inventory Management