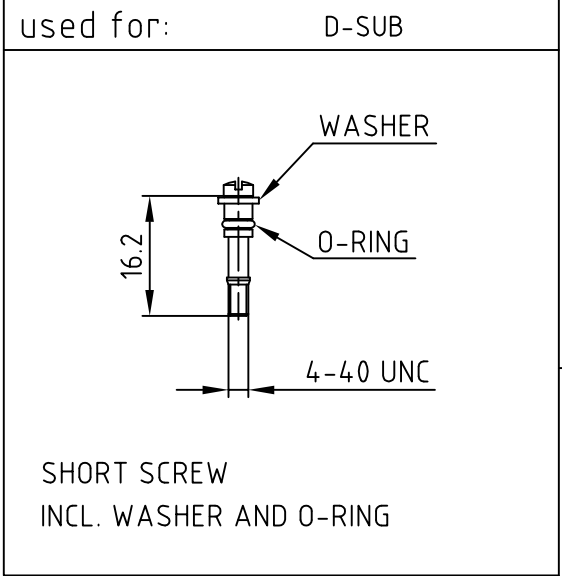
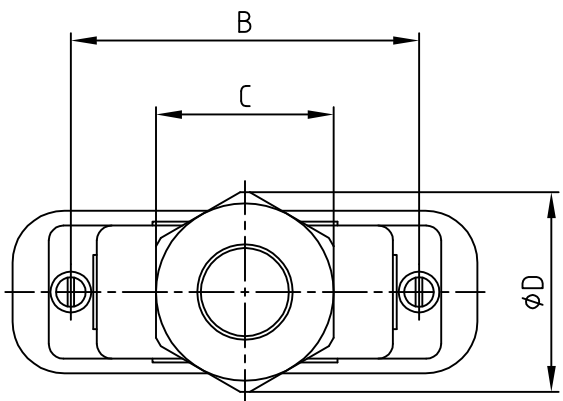
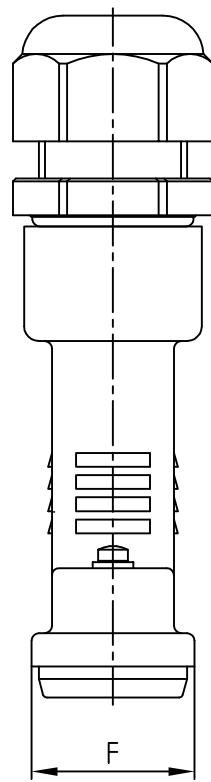
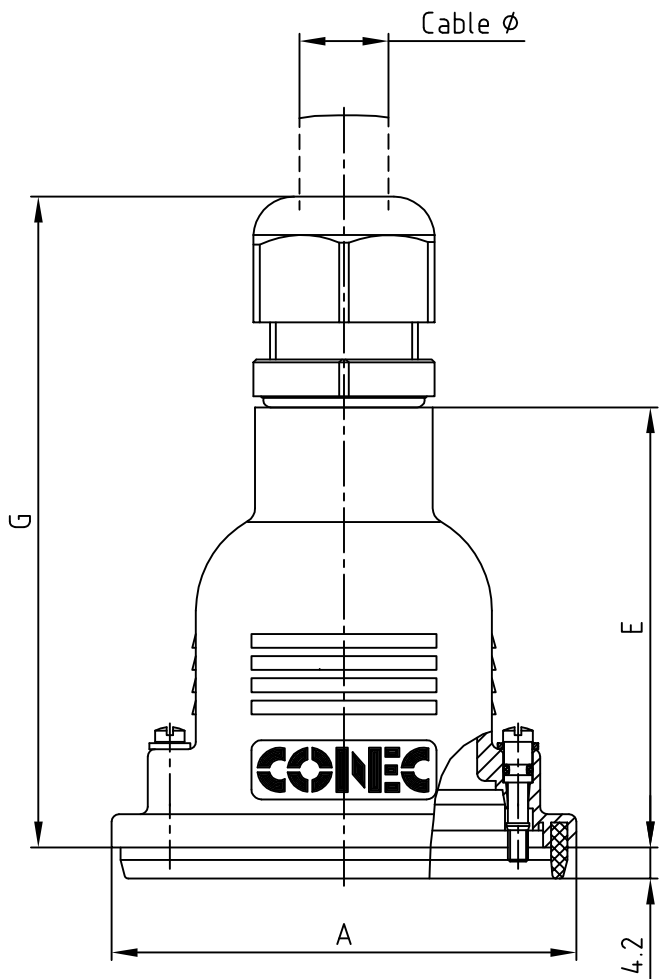




**THE DATASHEET OF**  
**165X14879X**





(b)

Shellsize	A	B	C	φD	E	F	G <sup>+1</sup> <sub>-3</sub>	Cable φ	Part-No. Bulk package	Part-No. Single package
1	40.76	25.0	SW 22	24.6	51.0	22.0	77.0	5 - 10	165X14869X	165X14869XE
2	49.06	33.3	SW 24	26.5	51.0	22.0	79.0	6 - 12	165X14879X	165X14879XE
3	62.80	47.04	SW 24	26.5	59.5	22.0	87.5	6 - 12	165X14889X	165X14889XE
4	78.86	63.5	SW 33	36.2	67.0	22.0	99.0	9 - 16	165X14899X	165X14899XE
5	76.46	61.1	SW 42	47.0	67.0	24.8	107.0	13 - 20	165X14909X	165X14909XE

NOTES:  
1. HOOD: PBT GF; BLACK  
2. SCREWS: STAINLESS STEEL

Directive 2002/95/EC RoHS compliant

THIS DRAWING MAY NOT BE COPIED OR REPRODUCED IN ANY WAY, AND MAY NOT BE PASSED ON TO A THIRD PARTY WITHOUT WRITTEN PERMISSION.  
OWNERSHIP AND COPYRIGHT OF CONEC GmbH  
DO NOT ALTER CAD DRAWING BY HAND

tolerance		dim. in mm	
2004	date	name	
drawn	25.11.	Lehmenkühler	
appd.	25.11.	Mickenbecker	
norm			
d-old			
1 x b	Ä 4085	31.08.2011	Lehmen
a	Original		
rev.	description	date	name

**CONEC**<sup>®</sup>

scale:	1:1
material:	SEE NOTES
title:	WATER RESISTANT D-SUB HOOD 9-50pos. with short screw
dwg no:	16K1A1289
part no:	SEE TABLE
DIN-A	3
sh:	1/1

## Looking for pricing, stock, or lifecycle information?

Click below to explore more details on WIN SOURCE:

 [View 165X14879X on WIN SOURCE](#)

 [Manufacturer Information](#)

## Optimize Your Supply Chain with WIN SOURCE Solutions

-  Global Sourcing Solution
-  Obsolete Management
-  Cost Control Management
-  Shortage Management
-  Alternative Solution
-  Excess Inventory Management