



**THE DATASHEET OF
XUZX2004**



XUZA218

Adjustable fixing clamp with ball joint,
Photoelectric sensors XU, accessory for
sensor, Ø 18 mm, bracket plastic



Main

Range of Product	Telemecanique Photoelectric sensors XU
Accessory / separate part category	Mounting and fixing accessory
Accessory / Separate Part Type	Fixing bracket
Product or Component Type	Fixing bracket
Fixing mode	Adjustable
Provided Equipment	Ball joint
Accessory / separate part destination	Sensor Ø 18 mm
Material	Plastic

Complementary

Product Compatibility	XU.
Net Weight	0.08 lb(US) (0.035 kg)

Ordering and shipping details

Category	22499 - SENSORS ACCESSORIES
Discount Schedule	DS2
GTIN	3389110704730
Nbr. of units in pkg.	1
Package weight(Lbs)	1.13 oz (32 g)
Returnability	Yes
Country of origin	FR

Packing Units

Unit Type of Package 1	PCE
Package 1 Height	1.22 in (3.1 cm)
Package 1 width	4.21 in (10.7 cm)
Package 1 Length	2.80 in (7.1 cm)
Unit Type of Package 2	S02
Number of Units in Package 2	100
Package 2 Weight	7.76 lb(US) (3.521 kg)
Package 2 Height	5.91 in (15 cm)
Package 2 width	11.81 in (30 cm)
Package 2 Length	15.75 in (40 cm)

The information provided in this documentation contains general descriptions and/or technical characteristics of the performance of the products contained herein. This documentation is not intended as a substitute for and is not to be used for determining suitability or reliability of these products for specific user applications. It is the duty of any such user or integrator to perform the appropriate and complete risk analysis, evaluation and testing of the products with respect to the relevant specific application or use thereof. Neither Schneider Electric Industries SAS nor any of its affiliates or subsidiaries shall be responsible or liable for misuse of the information contained herein.

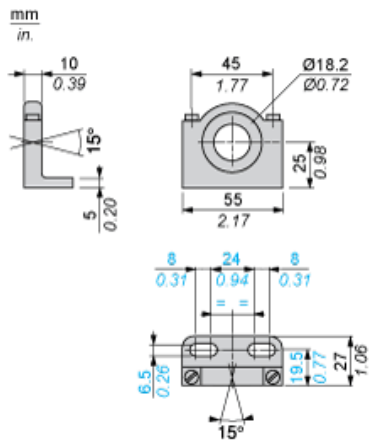
Offer Sustainability

Sustainable offer status	Green Premium product
California proposition 65	WARNING: This product can expose you to chemicals including: Diisononyl phthalate (DINP), which is known to the State of California to cause cancer, and Di-isodecyl phthalate (DIDP), which is known to the State of California to cause birth defects or other reproductive harm. For more information go to www.P65Warnings.ca.gov
REACH Regulation	REACH Declaration
EU RoHS Directive	Pro-active compliance (Product out of EU RoHS legal scope) EU RoHS Declaration
Mercury free	Yes
RoHS exemption information	Yes
Environmental Disclosure	Product Environmental Profile
Circularity Profile	End Of Life Information

Contractual warranty

Warranty	18 months
----------	-----------

Dimensions



Looking for pricing, stock, or lifecycle information?

Click below to explore more details on WIN SOURCE:

 [View XUZX2004](#) on WIN SOURCE

 [Manufacturer](#) Information

Optimize Your Supply Chain with WIN SOURCE Solutions

-  Global Sourcing Solution
-  Obsolete Management
-  Cost Control Management
-  Shortage Management
-  Alternative Solution
-  Excess Inventory Management