



THE DATASHEET OF
XS630B4PAM12





599 Menlo Drive, Suite 100
Rocklin, California 95765, USA
Office: (916) 624-8333
Fax: (916) 624-8003

General: info@parallax.com
Technical: support@parallax.com
Web Site: www.parallax.com
Educational: www.stampsinclass.com

QTI Line Sensor (#550-27401)

Introduction

The Parallax QTI sensor uses a QRD1114 infrared (IR) reflective sensor to determine the reflectivity of the surface below it. When the QTI sensor is over a dark surface, the reflectivity is very low; when the QTI is over a light surface, the reflectivity is very high and will cause a different reading from the sensor.

Features

- Phototransistor Output
- No contact surface sensing
- Unfocused for sensing diffused surfaces
- Compact Package
- Daylight filter on sensor

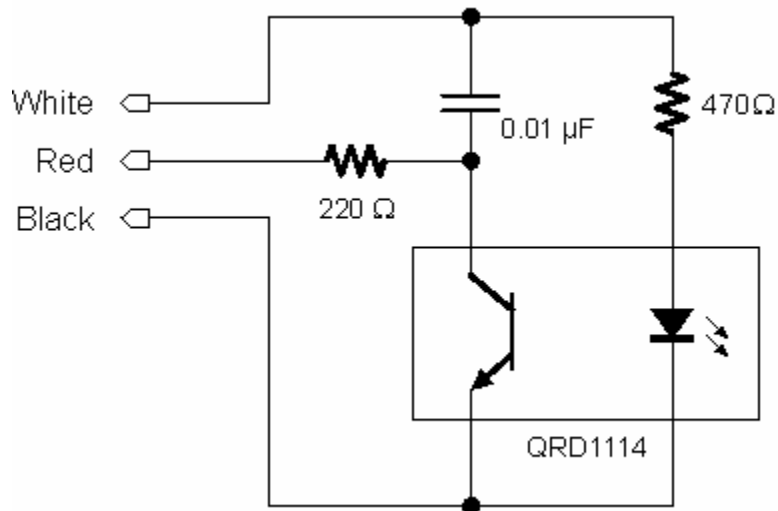
Specifications

ABSOLUTE MAXIMUM RATINGS ($T_A=25^{\circ}\text{C}$ unless otherwise specified)			
Parameter	Symbol	Rating	Units
Operating Temperature	T_{OPR}	-40 to +85	Celsius
Storage Temperature	T_{STG}	-40 to +85	Celsius
Lead Temperature (Solder Iron) ^(2,3)	$T_{\text{SOL-I}}$	240 for 5 sec	Celsius
Lead Temperature (Solder Flow) ^(2,3)	$T_{\text{SOL-F}}$	260 for 10 sec	Celsius
EMITTER Continuous Forward Current	I_F	50	mA
Reverse Voltage	V_R	5	V
Power Dissipation ⁽¹⁾	P_D	100	mW
SENSOR Collector-Emitter Voltage	V_{CEO}	30	V
Emitter-Collector Voltage	V_{ECO}		V
Power Dissipation ⁽¹⁾	P_D	100	mW

Kit Packing List

1. This manual
2. QTI sensor unit

Setting Up



Description

The QTI sensor is activated by placing 5 V (Vdd) on the W pin. This will cause current to flow through the 470 ohm resistor to the LED side of the QRD1114. IR light reflecting of the surface below will cause a change in the ability for the current to flow through the phototransistor side of the QRD1114. The transistor, in effect, behaves like an IR controlled resistance.

Demonstration Programs

```
' -----[ Title ]-----  
-----  
' Mini-Sumo 3.1 : Line Sensor Test  
' {$STAMP BS2}  
  
' -----[ I/O Definitions ]-----  
-----  
LineSnsrPwr   CON  10 ' line sensor power  
LineSnsrIn    CON   9 ' line sensor input
```

```

' -----[ Constants ]-----
-----
ClrEOL    CON  11 ' clear to end of line (DEBUG)

' -----[ Variables ]-----
-----
Sense     VAR  Word ' sensor raw reading

' -----[ Main Code ]-----
-----
Read_Sensor:
HIGH LineSnrPwr ' activate sensor
HIGH LineSnrIn ' discharge QTI cap
PAUSE 1
RCTIME LineSnrIn, 1, Sense ' read sensor value
LOW LineSnrPwr ' deactivate sensor

Display:
DEBUG Home
DEBUG "Sensor ", CR
DEBUG "-----", CR
DEBUG DEC Sense, ClrEOL
PAUSE 100
GOTO Read_Sensor

```

Dimensions

PCB Length: 1"
 Overall Length: 1 ¼"
 PCB Width: 3/8"
 Thickness: 5/16"

Trouble Shooting Tips

Make sure that the QTI sensor is properly installed by matching up the pins. The “B” connects to Vss. The “R” connects to pin 9 of the BASIC Stamp and the “W” connects to pin 10 of the BASIC Stamp.

BASIC Stamp support:

Web: www.parallax.com
 E-mail: support@parallax.com
 Fax: (916) 624-8003
 Phone: (916) 624-8333

Looking for pricing, stock, or lifecycle information?

Click below to explore more details on WIN SOURCE:

 [View XS630B4PAM12 on WIN SOURCE](#)

 [Manufacturer Information](#)

Optimize Your Supply Chain with WIN SOURCE Solutions

-  Global Sourcing Solution
-  Obsolete Management
-  Cost Control Management
-  Shortage Management
-  Alternative Solution
-  Excess Inventory Management