



**THE DATASHEET OF  
SCRES-G-01.00-D-C5E**



# ZXLD1374QEV1 BUCK LED DRIVER USER GUIDE

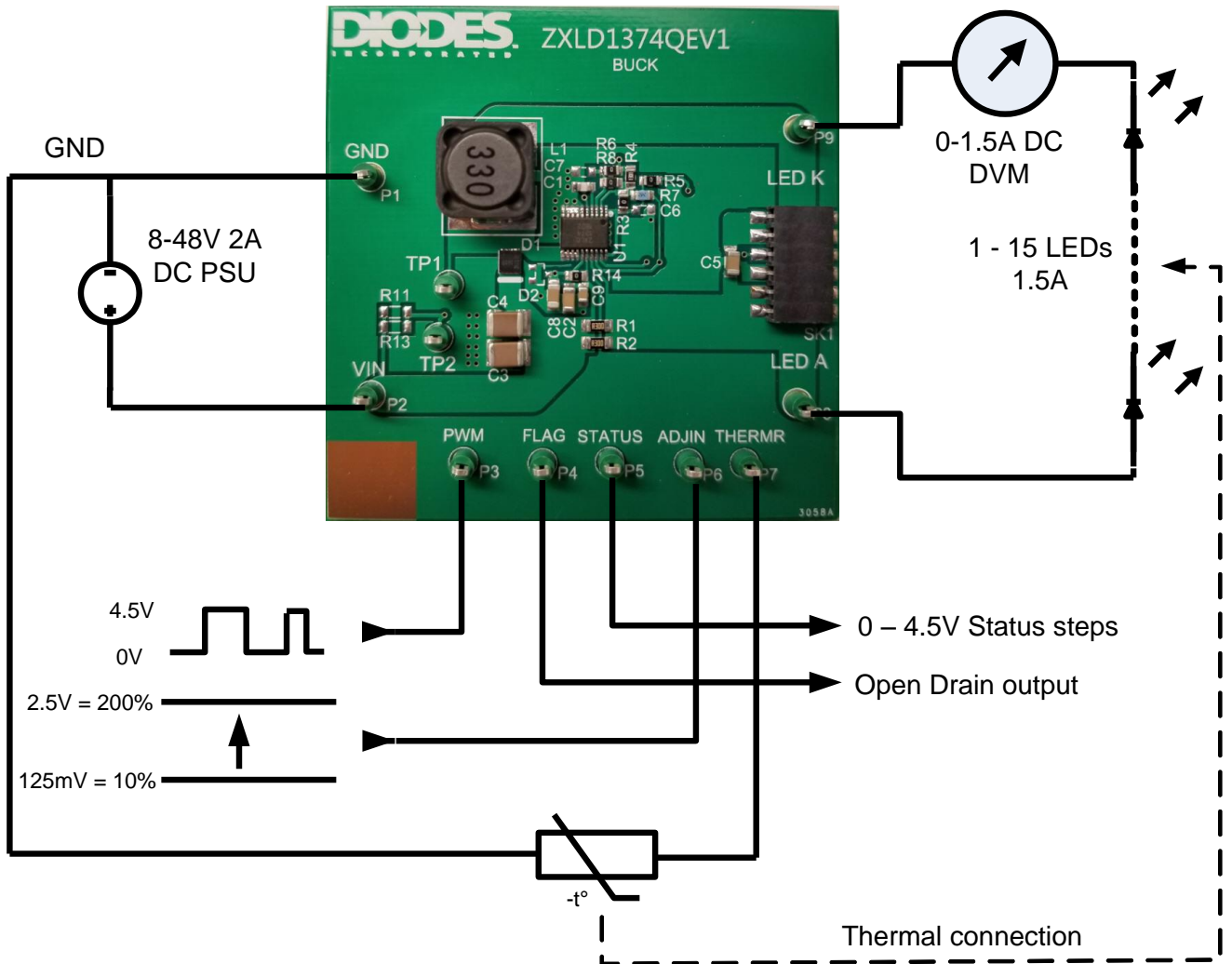


Fig. 1 ZXLD1374QEV1 Evaluation board connection diagram

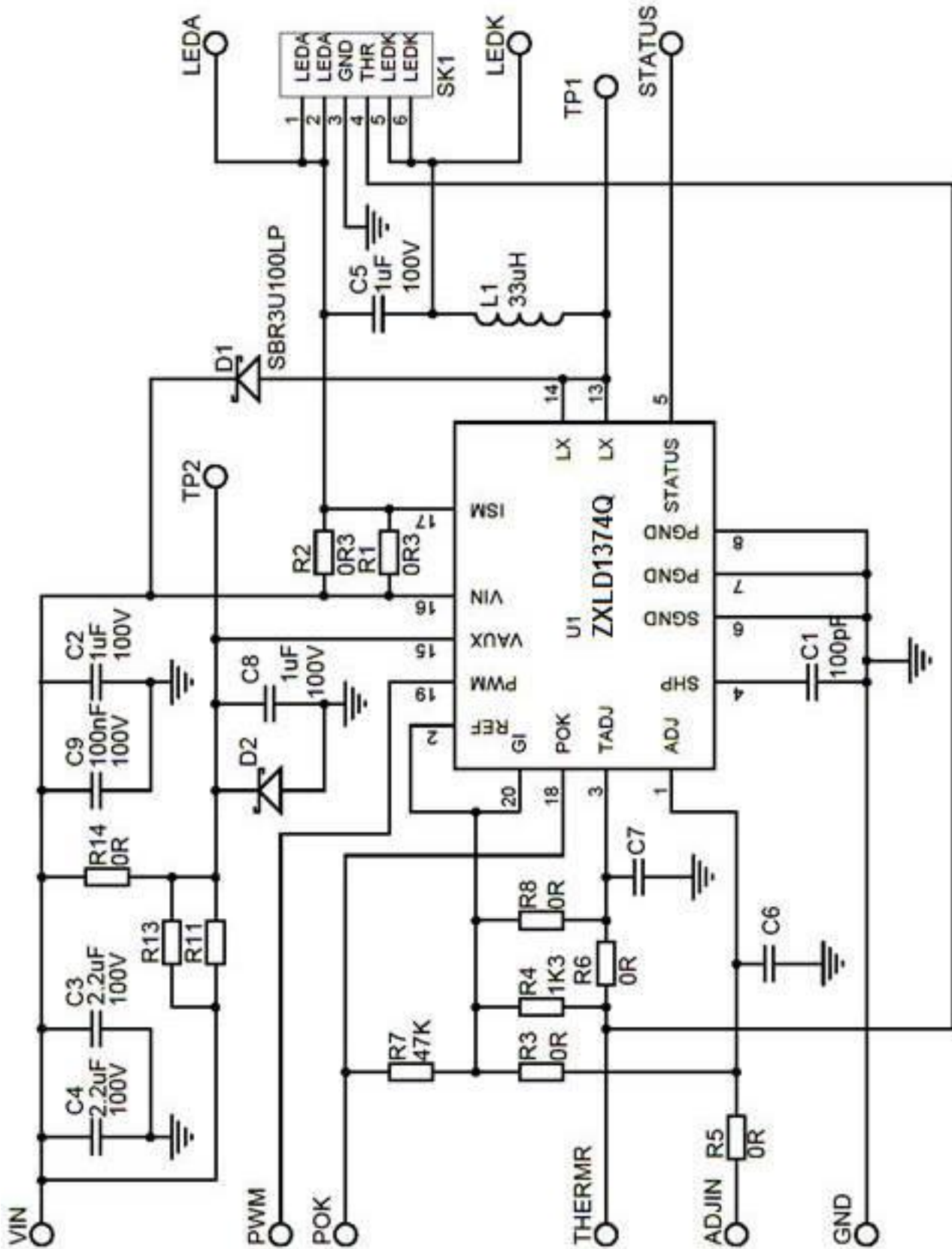


Fig. 2 ZXLD1374QE1 Schematic Diagram

**PARTS LIST**

Ref	Value	Package	Part Number	Manufacturer	Contact Details
U1	1.5A LED Driver	TSSOP20L- EP	ZXLD1374Q	Diodes	<a href="http://www.diodes.com">www.diodes.com</a>
D1	Freewheeling diode 3A 100V	DFN3030	SBR3U100LP	Diodes	<a href="http://www.diodes.com">www.diodes.com</a>
D2	NOT FITTED	SOT23	DDZX15	Diodes	<a href="http://www.diodes.com">www.diodes.com</a>
L1	33uH 2.3A		MSS1278-333MLB NPIS27H330MTRF 744-770-133	Coilcraft NIC Comps. Würth	<a href="http://www.coilcraft.com">www.coilcraft.com</a> <a href="http://www.niccomp.com">www.niccomp.com</a> <a href="http://www.w-online.com">www.w-online.com</a>
C1	100pF 10V	0805		generic	
C2 C5 C8	1uF 100V X7R	1206	GRM31CR72A105 KA01L	Murata / generic	<a href="http://www.murata.com">www.murata.com</a>
C3 C4	2.2uF 100V X7R	1812	GRM43ER72A225 KA01L	Murata / generic	<a href="http://www.murata.com">www.murata.com</a>
C6 C7	NOT FITTED				
C9	100nF 100V X7R	0805		generic	
R1 R2	0R3	1206		generic	
R3 R5 R6 R8 R14	0R	0805		generic	
R4	1K3	0805		generic	
R7	47K	0805		generic	
R11, R13	NOT FITTED	1206			

**NOTES**

The PCB is supplied with R3 and R8 0R0 resistors fitted.  
 The 'ADJ' pin and the 'TADJ' pin are disabled.  
 'VIN' and 'VAUX' are shorted on ZXLD1374QEV1  
 The LED current of the ZXLD1374QEV1 boards = 1.5A with 2x // 0R3 = 0R15 (R1 & R2)

The ZXLD1374Q 'VAUX' pin can be driven from a separate supply instead of the 'VIN' voltage.  
 To do this, remove R14, fit R11 = 10k0, fit R13 = 10k0.  
 Use Zener diode D2 to keep 'VAUX' pin <15V.

For other reference designs or more applications information, please see the ZXLD1374Q datasheet.

**OPERATION**

In Buck mode the LED current is sensed by the series resistor (R1 // R2). An output from the control loop responsible for sensing this current drives the input of an internal comparator. The comparator then drives the gate of the internal NMOS switch transistor. When the NMOS switch is on (LX pin low), current flows from VIN, via (R1 // R2), inductor and switch to ground and increases until a high value is reached. Then, the switch turns off (LX pin high) and the current flows through (R1 // R2), the inductor, the LED and D1, to 'VIN'. When the inductor current has gone low, 'LX' goes low, the cycle of events repeats and so the circuit oscillates. The average current in the LEDs is equal to the average of the maximum and minimum threshold currents. The ripple current (hysteresis) is equal to the difference between the thresholds. The average current in the LED is equal to the average current in the inductor. The control loop keeps the average LED current at the level set by the voltage on the 'ADJ' pin. Loop compensation is achieved by C1.

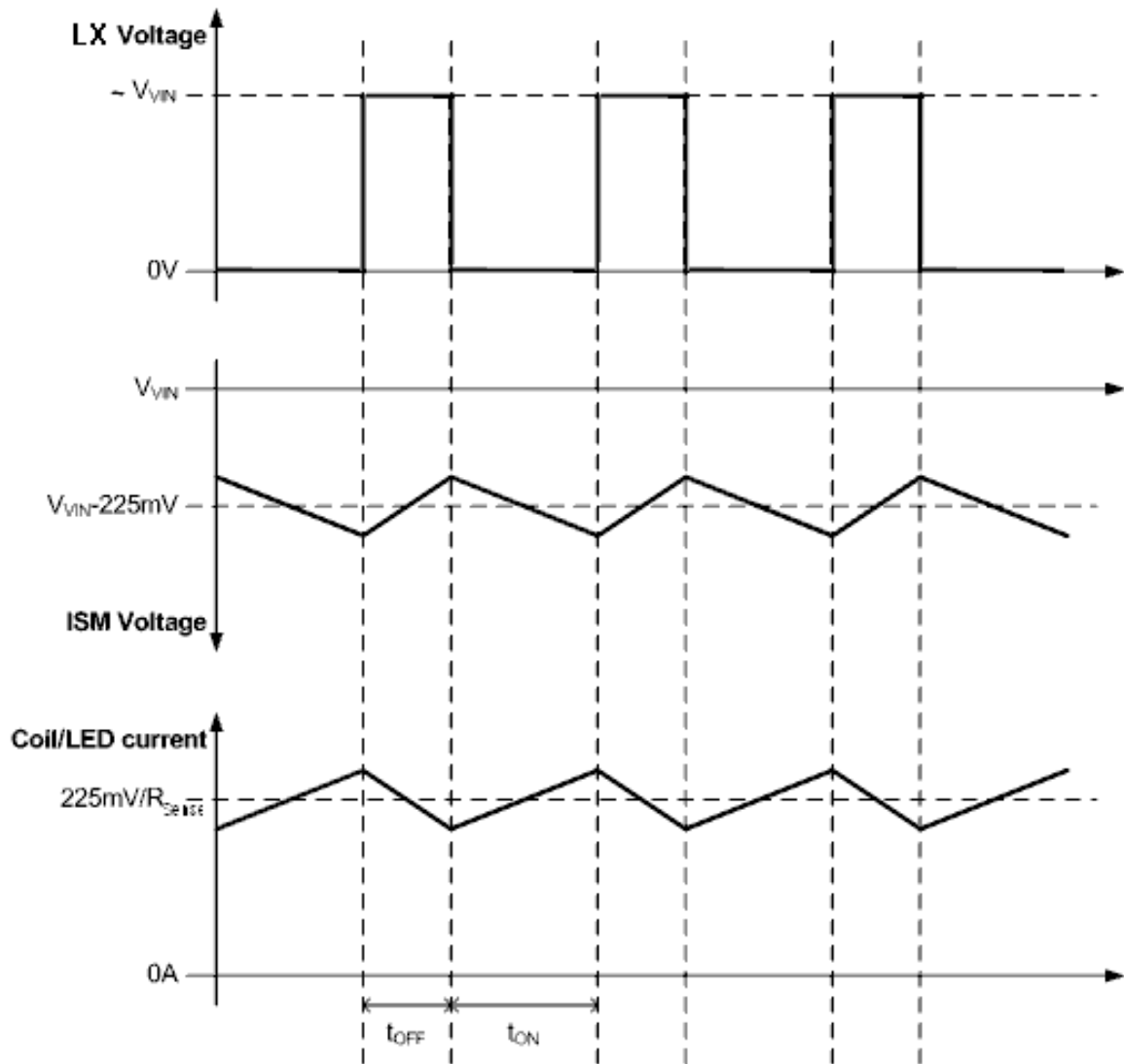


Fig. 3 Waveforms

**ADJ Terminal (DC output current adjustment)**

On the ZXLD1374QEV1, R3 connects the 'ADJ' pin to 'V<sub>REF</sub>' to give 100% LED current. The 'ADJ' pin can be driven with an external DC voltage  $\geq 125\text{mV}$  and  $\leq 2.5\text{V}$  to adjust the LED current to  $\geq 10\%$  and  $\leq 200\%$  of the nominal value. To do this, remove R3, fit R5 and apply an external DC voltage between 'ADJIN' and 'GND'.

The voltage 'V<sub>ADJ</sub>' can be derived from a resistor-divider connected between 'REF' and 'GND'.

'ADJ' has a high impedance within its normal operating voltage range. An internal 2.6V clamp protects the device against high input voltages and limits the maximum output current to about 4% above the maximum current set by 'V<sub>ADJ</sub>' if the maximum input voltage is exceeded.

**PWM Terminal (PWM output current control/dimming)**

The LED current can be adjusted digitally, by applying a low frequency PWM logic signal to the 'PWM' pin to turn the controller on and off. This will produce an average output current proportional to the duty cycle of the control signal. During PWM operation, the device remains powered-up and only the output is switched by the control signal.

The device can be shut down by taking the 'PWM' pin to  $< 0.4\text{V}$  for  $> 15\text{ms}$ , with a short to 0V or suitable open collector NPN, or open drain NMOS transistor. In shutdown, most of the circuitry inside the device is turned off and the quiescent current will be typically  $90\mu\text{A}$ .

**TADJ Terminal (Thermal control of LED current)**

The Thermal control circuit monitors the voltage on the 'TADJ' pin and reduces the output current linearly if the voltage on 'TADJ'  $< 625\text{mV}$ . An NTC thermistor and resistor can be connected to set the voltage on the 'TADJ' pin =  $625\text{mV}$  at the required threshold temperature. This will give 100% LED current below the threshold temperature and  $< 100\%$  current above it as shown in the graph. The temperature threshold can be changed by adjusting the value of R<sub>th</sub> and/or the thermistor to suit the LED used.

On the ZXLD1374QEV1, R<sub>th</sub> is 1K3 (R4). To use Thermal control, remove R8, fit R6, and fit a 10K NTC (Negative Temperature Coefficient) type thermistor between 'TADJ' and 'GND'. This will set the threshold temperature to  $\sim 90^\circ\text{C}$ .

**Thermal control by LED current reduction**

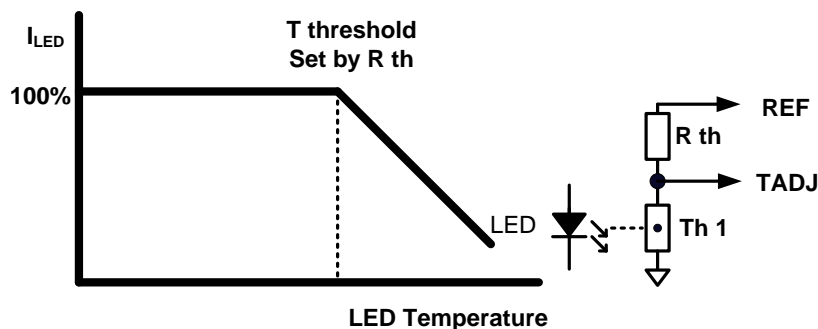
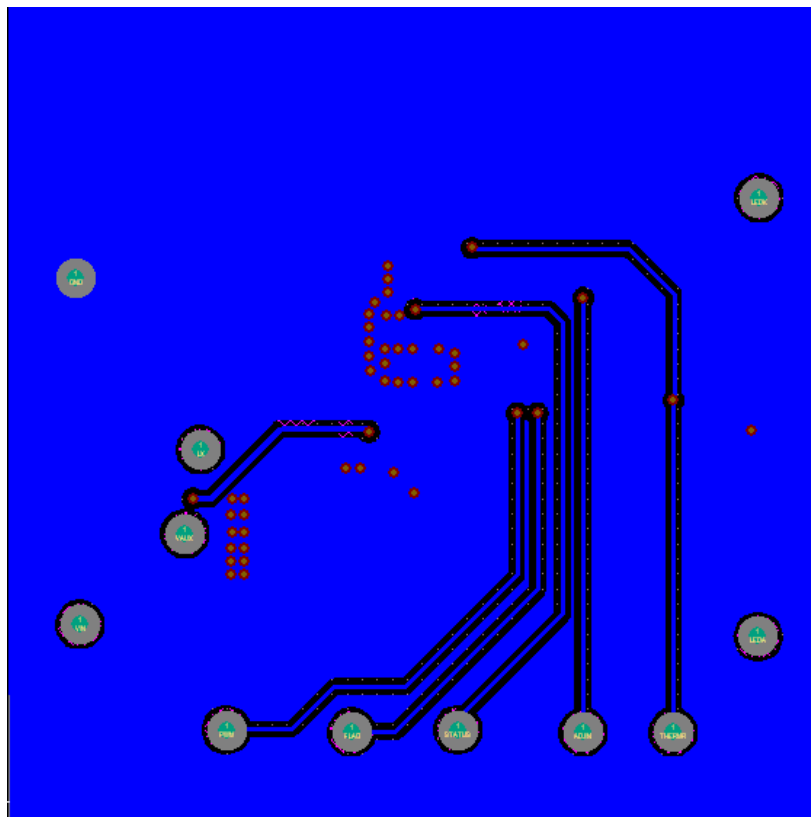
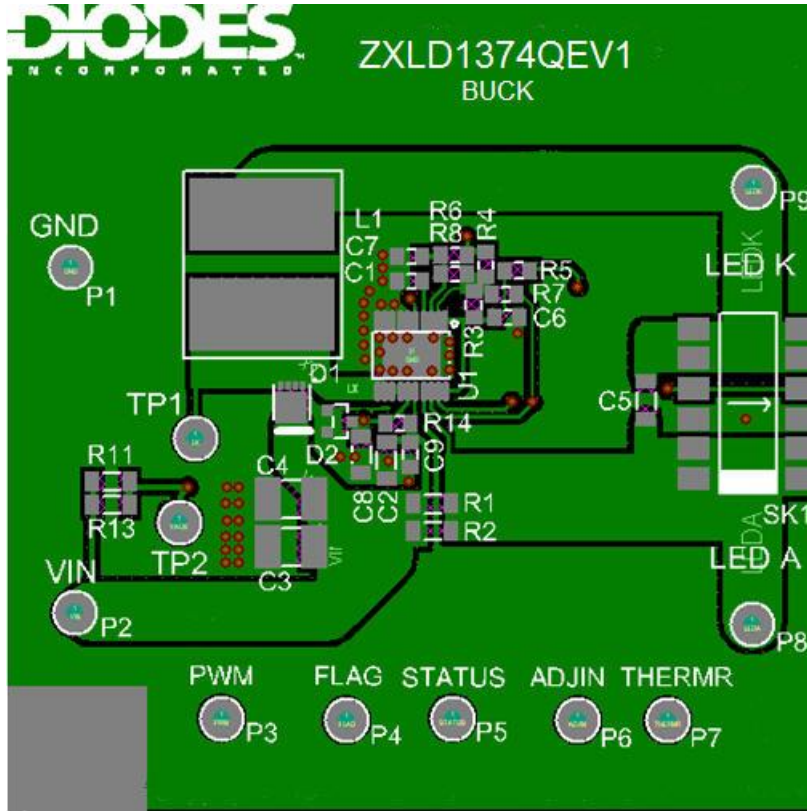


Fig. 4 Thermal control

The Thermal Control feature can be disabled by connecting 'TADJ' to 'REF' through the jumper resistor R8.

BOARD LAYOUT



**IMPORTANT NOTICE**

DIODES INCORPORATED MAKES NO WARRANTY OF ANY KIND, EXPRESS OR IMPLIED, WITH REGARD TO THIS DOCUMENT, INCLUDING, BUT NOT LIMITED TO, THE IMPLIED WARRANTIES OF MERCHANTABILITY AND FITNESS FOR A PARTICULAR PURPOSE (AND THEIR EQUIVALENTS UNDER THE LAWS OF ANY JURISDICTION).

Diodes Incorporated and its subsidiaries reserve the right to make modifications, enhancements, improvements, corrections or other changes without further notice to this document and any product described herein. Diodes Incorporated does not assume any liability arising out of the application or use of this document or any product described herein; neither does Diodes Incorporated convey any license under its patent or trademark rights, nor the rights of others. Any Customer or user of this document or products described herein in such applications shall assume all risks of such use and will agree to hold Diodes Incorporated and all the companies whose products are represented on Diodes Incorporated website, harmless against all damages.

Diodes Incorporated does not warrant or accept any liability whatsoever in respect of any products purchased through unauthorized sales channels. Should Customers purchase or use Diodes Incorporated products for any unintended or unauthorized application, Customers shall indemnify and hold Diodes Incorporated and its representatives harmless against all claims, damages, expenses, and attorney fees arising out of, directly or indirectly, any claim of personal injury or death associated with such unintended or unauthorized application.

Products described herein may be covered by one or more United States, international or foreign patents pending. Product names and markings noted herein may also be covered by one or more United States, international or foreign trademarks.

**LIFE SUPPORT**

Diodes Incorporated products are specifically not authorized for use as critical components in life support devices or systems without the express written approval of the Chief Executive Officer of Diodes Incorporated. As used herein:

A. Life support devices or systems are devices or systems which:

1. are intended to implant into the body, or
2. support or sustain life and whose failure to perform when properly used in accordance with instructions for use provided in the labeling can be reasonably expected to result in significant injury to the user.

B. A critical component is any component in a life support device or system whose failure to perform can be reasonably be expected to cause the failure of the life support device or to affect its safety or effectiveness.

Customers represent that they have all necessary expertise in the safety and regulatory ramifications of their life support devices or systems, and acknowledge and agree that they are solely responsible for all legal, regulatory and safety-related requirements concerning their products and any use of Diodes Incorporated products in such safety-critical, life support devices or systems, notwithstanding any devices- or systems-related information or support that may be provided by Diodes Incorporated. Further, Customers must fully indemnify Diodes Incorporated and its representatives against any damages arising out of the use of Diodes Incorporated products in such safety-critical, life support devices or systems.

Copyright © 2018, Diodes Incorporated

[www.diodes.com](http://www.diodes.com)

## Looking for pricing, stock, or lifecycle information?

Click below to explore more details on WIN SOURCE:

- ⊖ [View SCRES-G-01.00-D-C5E on WIN SOURCE](#)
- ⊖ [Samtec Inc. Information](#)

## Optimize Your Supply Chain with WIN SOURCE Solutions

- ✓ Global Sourcing Solution
- ✓ Obsolete Management
- ✓ Cost Control Management
- ✓ Shortage Management
- ✓ Alternative Solution
- ✓ Excess Inventory Management