



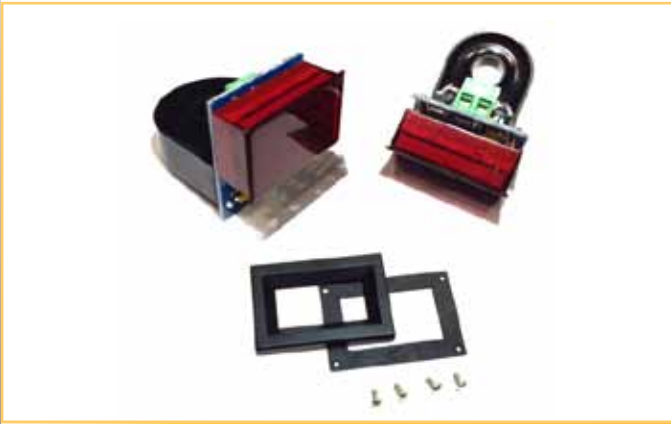
**THE DATASHEET OF
DLA20-ACA-B-2**



FEATURES & DESCRIPTION

- ▶ Available in easy to read RED, BLUE or GREEN LED
- ▶ Powered by 85-264 Vac

The DLA-ACA Series utilizes an onboard CT to provide a digital read out of the monitored current.



SPECIFICATIONS

DISPLAY

Numeral Size: .37" (9.4 mm)
 Overage: three lower order digits blank
 Supply Voltage: 85-264 Vac, 30-50 mA

INPUTS

Input Ranges: 0-1.999A, 19.99A, 50.0A, 100.0A

PERFORMANCE

Accuracy: $\pm .5\% \pm 6$ counts
 Sampling Rate: 2.5 per second

ENVIRONMENT

Operating Temperature: -10 to 50 °C
 Max Humidity: 95% (non-condensing)

CONNECTION

power - screw terminals
 input - thru-hole CT

ORDERING INFO

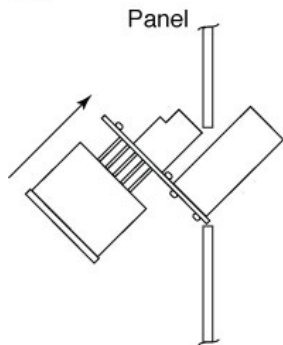
PART NUMBER	METER COLOR	METER INPUT
DLA20-ACA-R-1	RED	1.999A
DLA20-ACA-B-1	BLUE	1.999A
DLA20-ACA-G-1	GREEN	1.999A
DLA20-ACA-R-2	RED	19.99A
DLA20-ACA-B-2	BLUE	19.99A
DLA20-ACA-G-2	GREEN	19.99A
DLA20-ACA-R-3	RED	50.0A
DLA20-ACA-B-3	BLUE	50.0A
DLA20-ACA-G-3	GREEN	50.0A
DLA20-ACA-R-4	RED	100.0A
DLA20-ACA-B-4	BLUE	100.0A
DLA20-ACA-G-4	GREEN	100.0A

ACCESSORIES INCLUDED

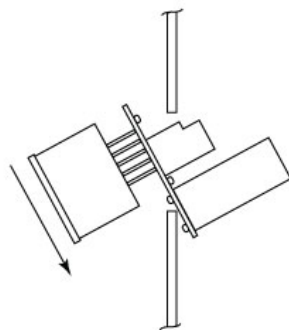
DLA-BEZ-20-G Bezel Assembly

PANEL INSTALLATION

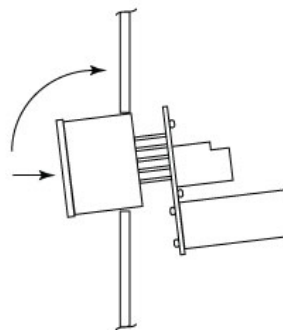
Step 1



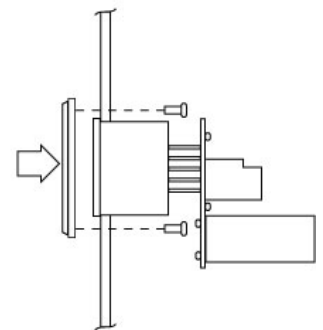
Step 2



Step 3



Step 4



Specifications Installation and Operating Instructions LED Digital Panel Meters

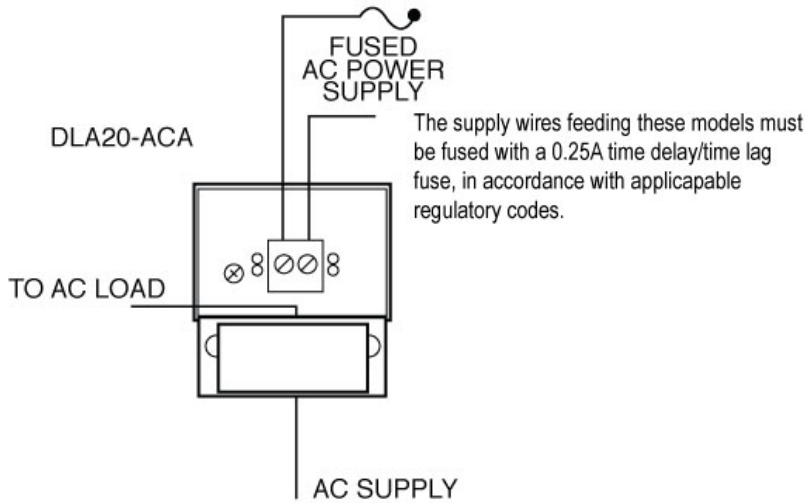
DLA20-ACA



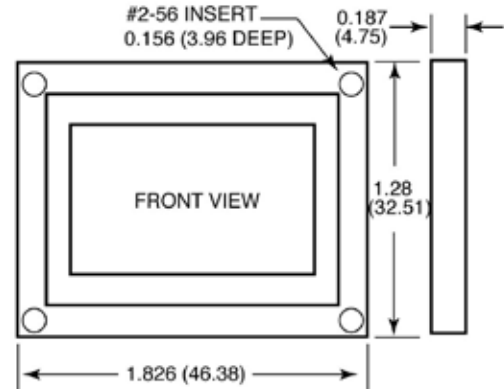
LED Display AC Ammeters with Built-in Current Transformers

DIMENSIONS & WIRING

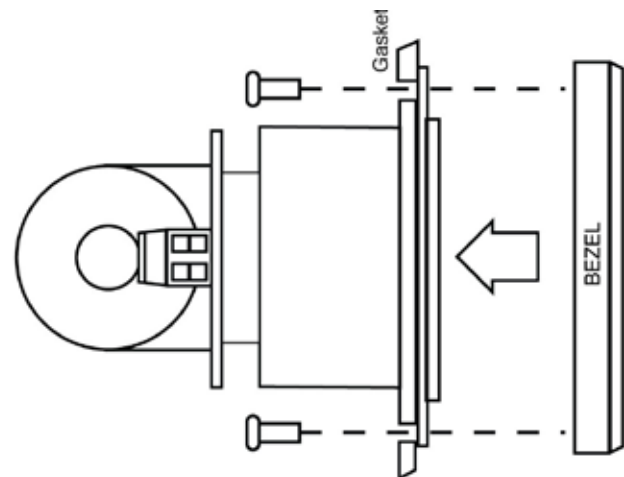
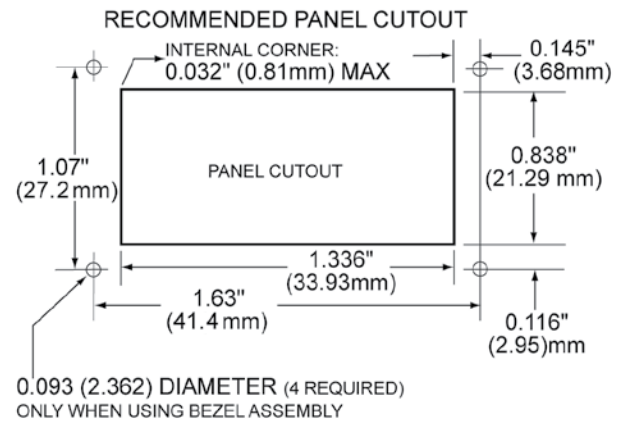
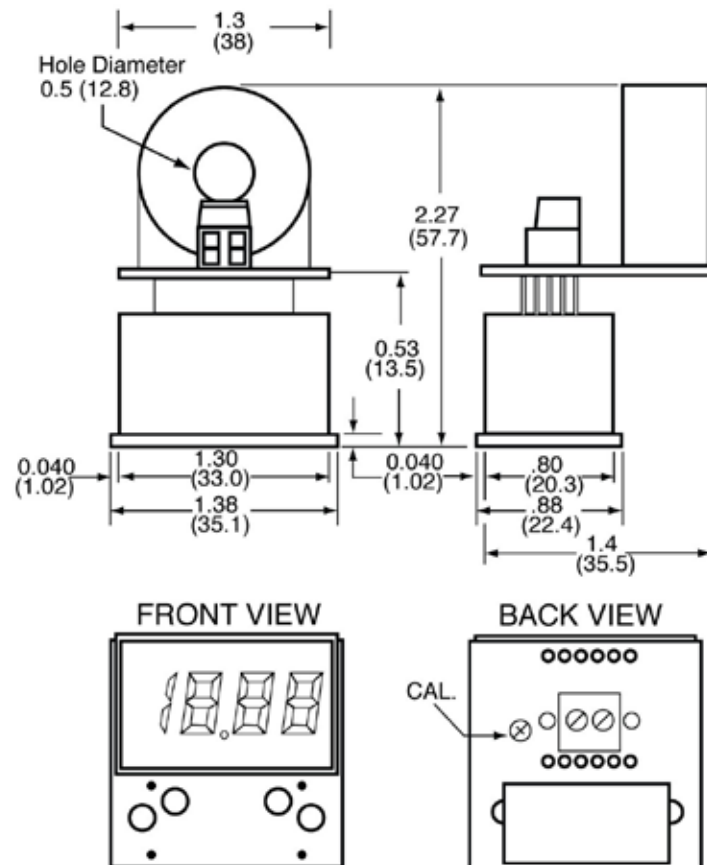
TYPICAL WIRING DIAGRAM



BEZEL INSTALLATION AND RECOMMENDED DRILL AND PANEL CUTOUT





MECHANICAL SPECIFICATIONS DLA20-ACA



Looking for pricing, stock, or lifecycle information?

Click below to explore more details on WIN SOURCE:

-  [View DLA20-ACA-B-2 on WIN SOURCE](#)
-  [C-TON Industries Information](#)

Optimize Your Supply Chain with WIN SOURCE Solutions

-  Global Sourcing Solution
-  Obsolete Management
-  Cost Control Management
-  Shortage Management
-  Alternative Solution
-  Excess Inventory Management