



**THE DATASHEET OF**  
**2905196**



## Interface module - UM-D37M/DS/FU/LED/AID16/C300/R - 2905197

Please be informed that the data shown in this PDF Document is generated from our Online Catalog. Please find the complete data in the user's documentation. Our General Terms of Use for Downloads are valid (<http://phoenixcontact.com/download>)



VARIOFACE module intended for use with Honeywell Experion C300 16-channel analog input cards. Channels 1 to 16 feature differential inputs.

### Product Features

- ✓ These VARIOFACE modules are used in combination with the relevant front adapters
- ✓ Per channel pluggable 500 mA fusing
- ✓ UM-PRO housing
- ✓ DIN rail mounting, includes grounding foot
- ✓ LED blown fusing indication
- ✓ Per channel shield connection
- ✓ Per channel disconnects with test points



### Key Commercial Data

Packing unit	1 pc
Weight per Piece (excluding packing)	520.0 g
Custom tariff number	85369010
Country of origin	United States

### Technical data

#### Dimensions

Width	184 mm
Height	142.3 mm
Depth	65.6 mm

#### Ambient conditions

Ambient temperature (operation)	-40 °C ... 85 °C
Ambient temperature (storage/transport)	-40 °C ... 85 °C

## Interface module - UM-D37M/DS/FU/LED/AID16/C300/R - 2905197

### Technical data

#### General

Max. permissible operating voltage	24 V DC
Max. perm. current (per branch)	500 mA (fuse limited)
Number of positions	37
Status display	No
Mounting position	any
Assembly instructions	In rows with zero spacing
Standards/regulations	DIN EN 50178

#### Connection data for connection 1

Connection name	Field level
Connection method	Screw connection with disconnect knife
Stripping length	8 mm
Screw thread	M 3
Conductor cross section solid	0.2 mm <sup>2</sup> ... 4 mm <sup>2</sup>
Conductor cross section flexible	0.2 mm <sup>2</sup> ... 2.5 mm <sup>2</sup>
AWG conductor cross section	24 ... 12

#### Connection data for connection 2

Connection name	Controller level
Connection method	D-SUB pin strip
Number of positions	37

#### Supported controller

Controller	HONEYWELL Experion PKS C300/C-Series
- suitable I/O card	CC-TAID01
	CC-TAID11
	8X-TAIDA1 (non-redundant)
	8X-TAIDB1 (redundant)

### Classifications

#### eCl@ss

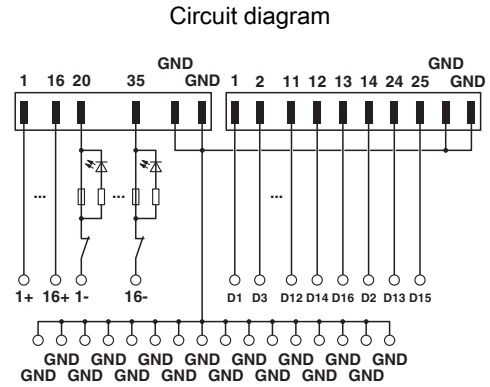
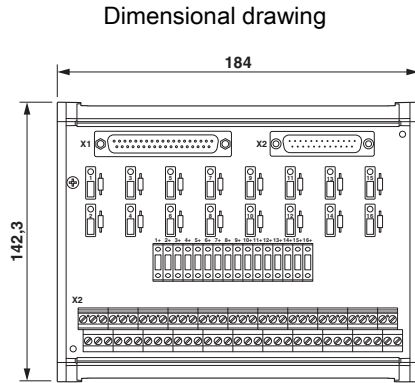
eCl@ss 6.0	27242608
eCl@ss 7.0	27141152
eCl@ss 8.0	27141152

#### ETIM

ETIM 4.0	EC001420
ETIM 5.0	EC001420

# Interface module - UM-D37M/DS/FU/LED/AID16/C300/R - 2905197

## Drawings



dimensional drawing of left hand version

## Looking for pricing, stock, or lifecycle information?

Click below to explore more details on WIN SOURCE:

 [View 2905196 on WIN SOURCE](#)

 [Phoenix Contact](#) Information

## Optimize Your Supply Chain with WIN SOURCE Solutions

-  Global Sourcing Solution
-  Obsolete Management
-  Cost Control Management
-  Shortage Management
-  Alternative Solution
-  Excess Inventory Management