



**THE DATASHEET OF
SML-LXF0805SRD-TR**



AN-1585 LM3402 and LM3404 High Power SO PowerPAD-8 Evaluation Board

1 Introduction

The LM3402/02HV and LM3404/04HV are buck-regulator derived, controlled current sources designed to drive a series string of high power, high brightness LEDs (HBLEDs) such as the Luxeon™ K2 Emitter at forward currents of up to 0.5A (LM3402/02HV) or 1.0A (LM3404/04HV). This evaluation board demonstrates the enhanced thermal performance of the SO PowerPAD-8 package option of any of those four ICs. The LM3404 was chosen for the example circuit because the combination of high output current, high input voltage, and high duty cycle create the greatest demand for low junction-to-ambient thermal resistance (θ_{JA}). Note that the LM3404/04HV in SO-8 can also be used with this evaluation board, with reduced thermal performance.

LED drivers are often placed in small, closed spaces with no air flow and high ambient temperature due to the dissipation of the LEDs. When properly soldered the SO PowerPAD-8 package offers a θ_{JA} that is as little as one-half that of the standard SO-8 package, and as little as one-third that of the MSOP-8 package.

2 Circuit Performance with LM3404

This evaluation board uses the LM3404 to provide a constant forward current of 1.0A \pm 10% to a string of ten series-connected HBLEDs with a forward voltage of approximately 3.7V each from an input of 48V \pm 5%. The LED ripple current, Δi_F , will not exceed 80 mA_{P-P}, and the switching frequency is 550 kHz \pm 10%. The circuit can operate over an extended input voltage range of 40V to 60V, however output current may exceed the \pm 10% specification.

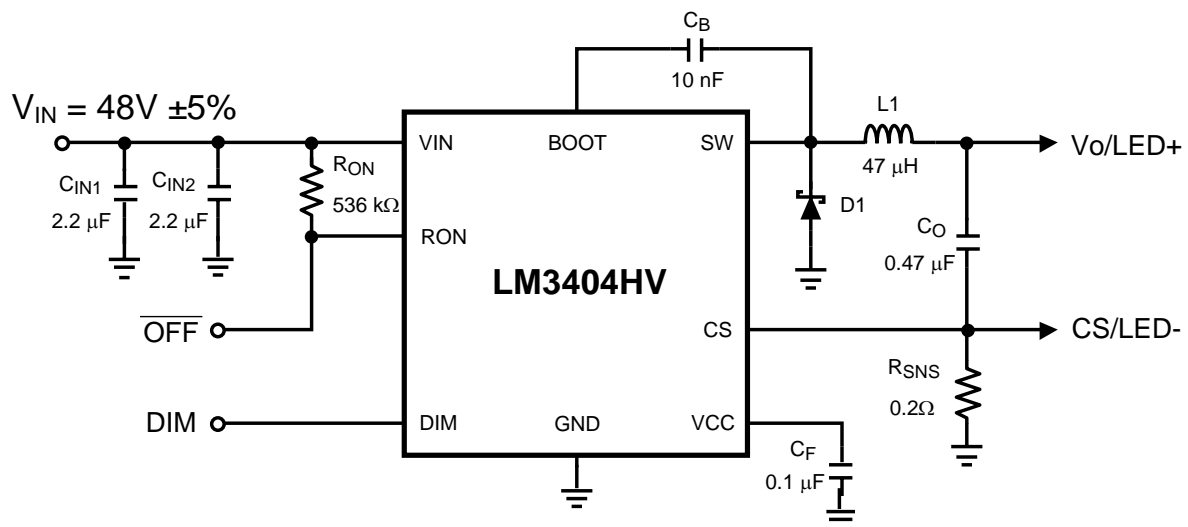


Figure 1. Standard Schematic

3 Thermal Performance

The SO PowerPAD-8 package is pin-for-pin compatible with the SO-8 package with the exception of the thermal pad, or exposed die attach paddle (DAP). The DAP is electrically connected to system ground. When the DAP is properly soldered to an area of copper on the top layer, bottom layer, internal planes, or combinations of various layers, the θ_{JA} of the LM3404/04HV can be significantly lower than that of the SO-8 package or VSSOP-8 package in the case of the LM3402/02HV. The SO PowerPAD-8 evaluation board is two layers of 1oz copper each, and measures 1.25" by 1.95". The DAP is soldered to approximately one square inch of top and two square inches of bottom layer copper. Five thermal vias connect the DAP to the bottom layer of the PCB, and the recommended DAP/via layout is shown in Figure 2.

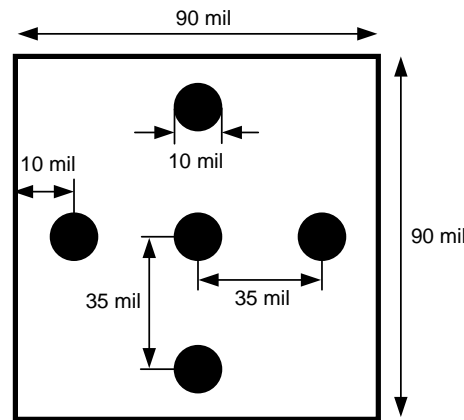


Figure 2. Thermal Pad and Via Layout

Calibrated testing was performed on the SO PowerPAD-8 evaluation board to compare the performance of the SO PowerPAD-8 with the DAP soldered and the standard SO-8 package. The example circuit dissipation is approximately 1.1W. (see the LM3404/04HV datasheet for detailed thermal calculations.) For dissipation ranging from 0.5W to 1.5W the θ_{JA} of the SO PowerPAD-8 package is 50°C/W ±10%. The θ_{JA} of the SO-8 package is 100°C/W ±10%.

4 Connecting to LED Array

The LM3404/04HV Evaluation Board includes a female 6-pin SIP, J1, connector as well as two standard 94mil turret connectors for the cathode and anode connections of the LED array. Figure 3 shows the pinout of J1. Solid 18 or 20 gauge wire with about 1 cm of insulation stripped away makes a convenient, solderless connection to J1.

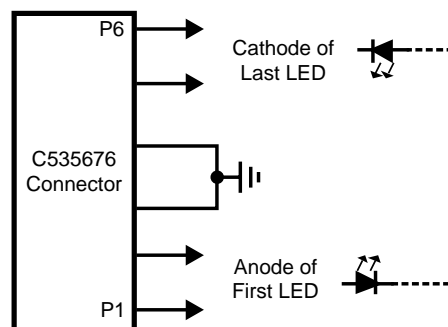


Figure 3. LED Connector

5 Setting the LED Current

The default forward current I_F delivered to the LED array is 1.0A, typical of many 3W LEDs. To adjust this value the current setting resistor R_{SNS} can be changed according to the following equation:

$$R_{SNS} = \frac{0.2 \times L}{I_F \times L + V_O \times t_{SNS} - \frac{V_{IN} - V_O}{2} \times t_{ON}} \quad (1)$$

$$t_{SNS} = 220 \text{ ns} \quad (2)$$

This resistor should be rated to handle the power dissipation of the LED current. For this example, the closest 5% tolerance resistor to set an LED current of 1.0A is 0.2 Ω. In steady state this resistor will dissipate (1.0 x 0.2) = 200 mW, indicating that a resistor with a 1/4W power rating is appropriate.

6 PWM Dimming

The **DIM** terminal on the PCB provides an input for a pulse width modulation signal for dimming of the LED array. In order to fully enable and disable the LM3404/04HV the PWM signal should have a maximum logic low level of 0.8V and a minimum logic high level of 2.2V. The maximum PWM dimming frequency, minimum PWM duty cycle and maximum duty cycle are illustrated in Figure 4. PWM frequency should be at least one order of magnitude below the LM3404/04HV switching frequency. The interval t_D represents the delay from a logic high at the DIM pin to the onset of the output current. The quantities t_{SU} and t_{SD} represent the time needed for the output current to slew up to steady state and slew down to zero, respectively. Typical response time is shown in Typical Performance Characteristics.

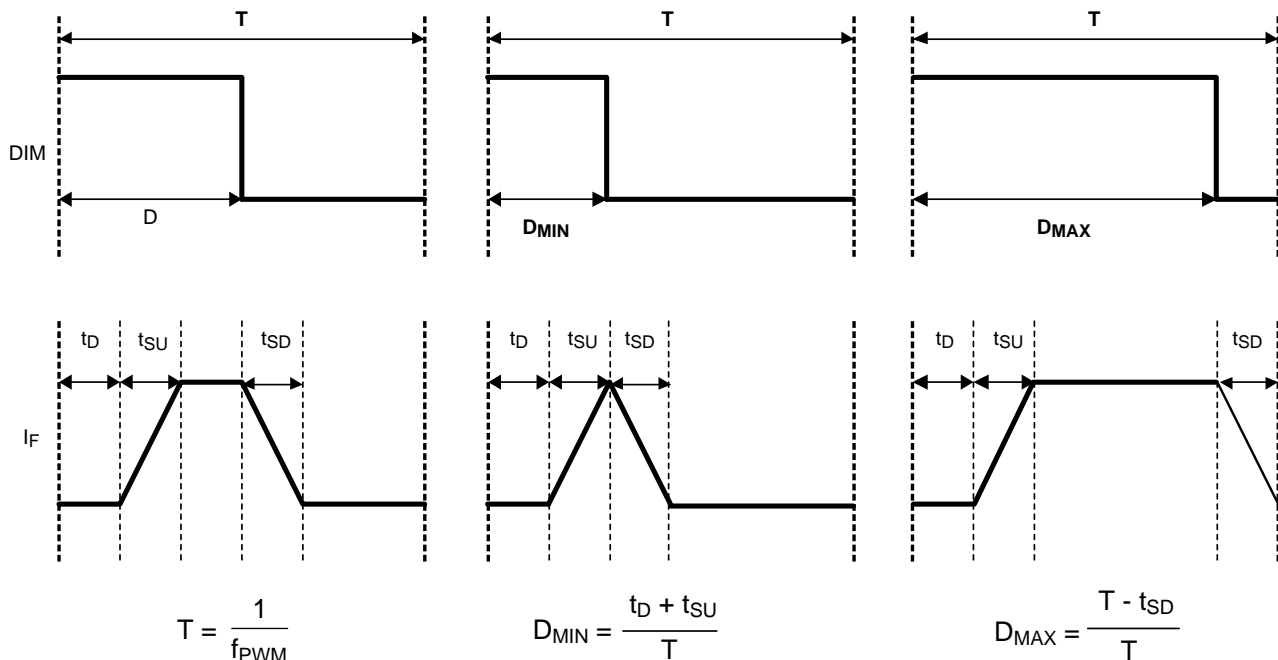


Figure 4. PWM Dimming Limits

The logic of **DIM** is direct, hence the LM3404 will deliver regulated output current when the voltage at **DIM** is high, and the current output is disabled when the voltage at **DIM** is low. Connecting a constant logic low will disable the output, and the LM3404/04HV is enabled if the DIM pin is open-circuited. The **DIM** function disables only the power MOSFET, leaving all other circuit blocks functioning to minimize the converter response time.

7 Low Power Shutdown

The LM3404 can be placed into a low power shutdown (I_Q typically 90 μ A) by grounding the **OFF*** terminal. During normal operation this terminal should be left open-circuit.

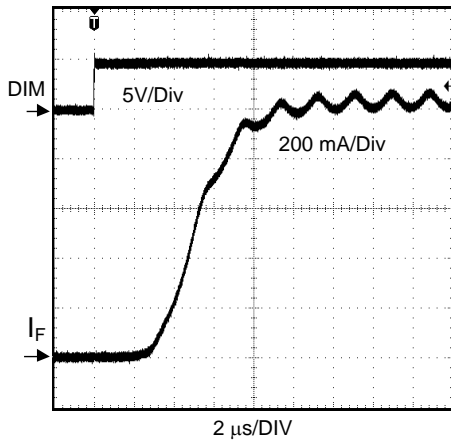
8 Bill of Materials

Table 1. Bill of Materials

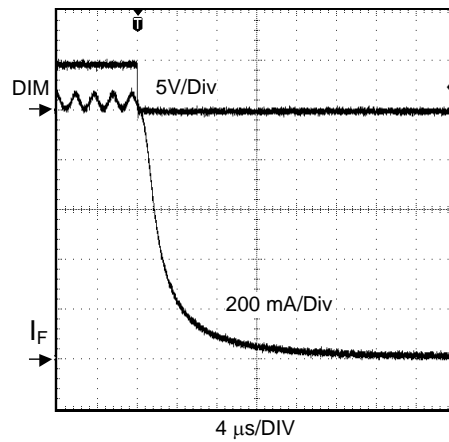
ID	Part Number	Type	Size	Parameters	Qty	Vendor
U1	LM3404	LED Driver	SO PowerPAD-8	75V, 1.0A	1	NSC
L1	SLF10145T- 470M1R4	Inductor	10.1 x 10.1 x 4.5mm	47 μ H, 1.4A, 0.1 Ω	1	TDK
D1	CMSH2-60M	Schottky Diode	SMA	60V, 2A	1	Central Semi
Cf	VJ0603Y104KXXAT	Capacitor	0603	100nF 10%	1	Vishay
Cb	VJ0603Y103KXXAT	Capacitor	0603	10nF 10%	1	Vishay
Cin1, Cin2	C4532X7R2A225M	Capacitor	1812	2.2 μ F, 100V	2	TDK
Co	C3216X7R2A474M	Capacitor	1206	0.47 μ F, 100V	1	TDK
Rsns	ERJ8BQFR20V	Resistor	1206	0.2 Ω 1%	1	Panasonic
Ron	CRCW06035363F	Resistor	0603	536k Ω 1%	1	Vishay
DIM1, OFF*	160-1512	Terminal	0.062"		2	Cambion
GND, VIN, Vo/LED+, CS/LED-	160-1026	Terminal	0.094"		5	Cambion
J1	535676-5	Connector	Custom	6 Pins	1	Tyco/AMP

9 Typical Performance Characteristics

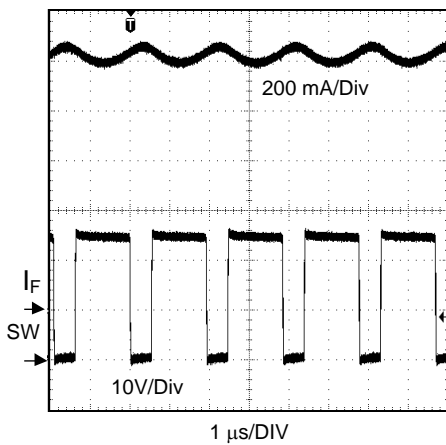
DIM Pin Enable



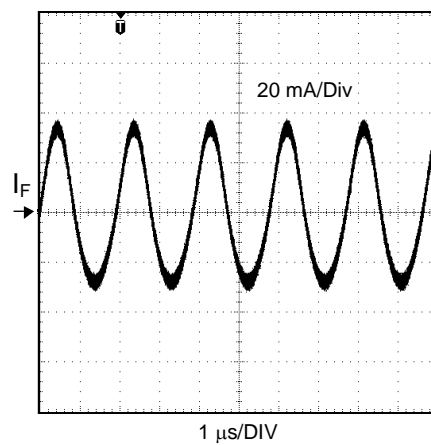
DIM Pin Disable



Switching Waveforms



Output Ripple Current



10 Layout

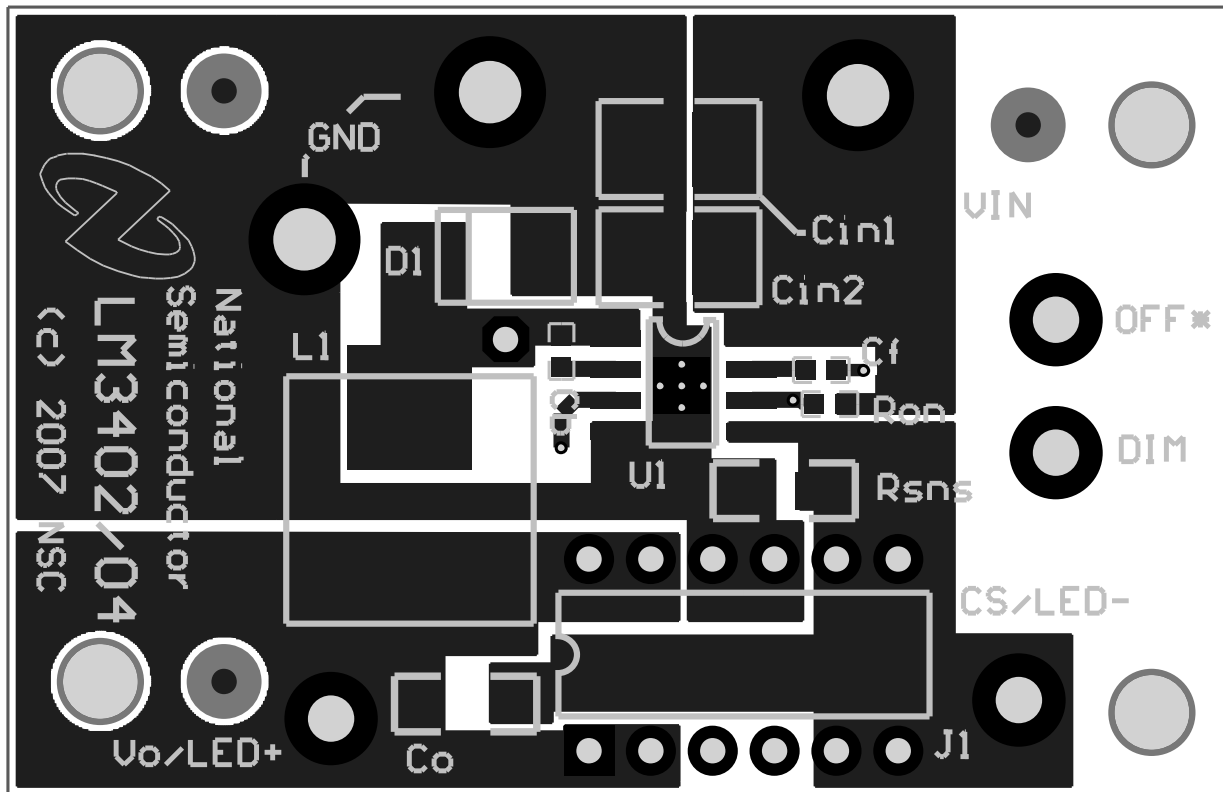


Figure 5. Top Layer and Top Overlay

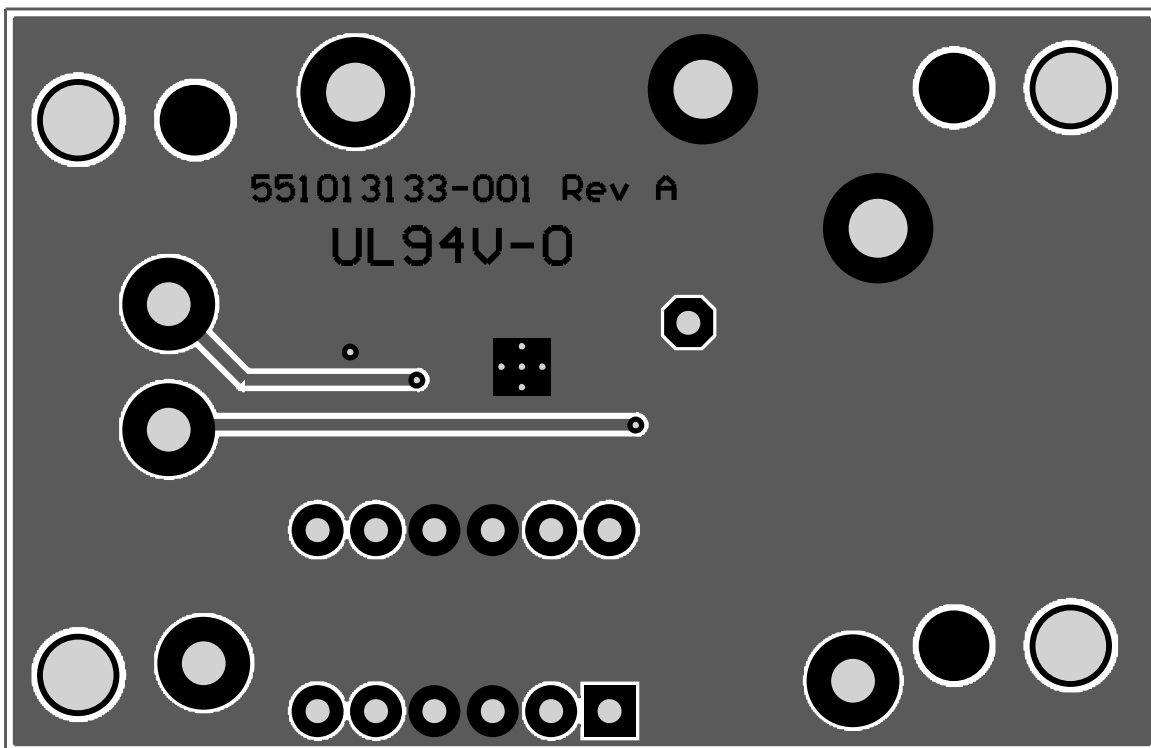


Figure 6. Bottom Layer and Bottom Overlay

IMPORTANT NOTICE

Texas Instruments Incorporated and its subsidiaries (TI) reserve the right to make corrections, enhancements, improvements and other changes to its semiconductor products and services per JESD46, latest issue, and to discontinue any product or service per JESD48, latest issue. Buyers should obtain the latest relevant information before placing orders and should verify that such information is current and complete. All semiconductor products (also referred to herein as "components") are sold subject to TI's terms and conditions of sale supplied at the time of order acknowledgment.

TI warrants performance of its components to the specifications applicable at the time of sale, in accordance with the warranty in TI's terms and conditions of sale of semiconductor products. Testing and other quality control techniques are used to the extent TI deems necessary to support this warranty. Except where mandated by applicable law, testing of all parameters of each component is not necessarily performed.

TI assumes no liability for applications assistance or the design of Buyers' products. Buyers are responsible for their products and applications using TI components. To minimize the risks associated with Buyers' products and applications, Buyers should provide adequate design and operating safeguards.

TI does not warrant or represent that any license, either express or implied, is granted under any patent right, copyright, mask work right, or other intellectual property right relating to any combination, machine, or process in which TI components or services are used. Information published by TI regarding third-party products or services does not constitute a license to use such products or services or a warranty or endorsement thereof. Use of such information may require a license from a third party under the patents or other intellectual property of the third party, or a license from TI under the patents or other intellectual property of TI.

Reproduction of significant portions of TI information in TI data books or data sheets is permissible only if reproduction is without alteration and is accompanied by all associated warranties, conditions, limitations, and notices. TI is not responsible or liable for such altered documentation. Information of third parties may be subject to additional restrictions.

Resale of TI components or services with statements different from or beyond the parameters stated by TI for that component or service voids all express and any implied warranties for the associated TI component or service and is an unfair and deceptive business practice. TI is not responsible or liable for any such statements.

Buyer acknowledges and agrees that it is solely responsible for compliance with all legal, regulatory and safety-related requirements concerning its products, and any use of TI components in its applications, notwithstanding any applications-related information or support that may be provided by TI. Buyer represents and agrees that it has all the necessary expertise to create and implement safeguards which anticipate dangerous consequences of failures, monitor failures and their consequences, lessen the likelihood of failures that might cause harm and take appropriate remedial actions. Buyer will fully indemnify TI and its representatives against any damages arising out of the use of any TI components in safety-critical applications.

In some cases, TI components may be promoted specifically to facilitate safety-related applications. With such components, TI's goal is to help enable customers to design and create their own end-product solutions that meet applicable functional safety standards and requirements. Nonetheless, such components are subject to these terms.

No TI components are authorized for use in FDA Class III (or similar life-critical medical equipment) unless authorized officers of the parties have executed a special agreement specifically governing such use.

Only those TI components which TI has specifically designated as military grade or "enhanced plastic" are designed and intended for use in military/aerospace applications or environments. Buyer acknowledges and agrees that any military or aerospace use of TI components which have **not** been so designated is solely at the Buyer's risk, and that Buyer is solely responsible for compliance with all legal and regulatory requirements in connection with such use.

TI has specifically designated certain components as meeting ISO/TS16949 requirements, mainly for automotive use. In any case of use of non-designated products, TI will not be responsible for any failure to meet ISO/TS16949.

Products

Audio	www.ti.com/audio
Amplifiers	amplifier.ti.com
Data Converters	dataconverter.ti.com
DLP® Products	www.dlp.com
DSP	dsp.ti.com
Clocks and Timers	www.ti.com/clocks
Interface	interface.ti.com
Logic	logic.ti.com
Power Mgmt	power.ti.com
Microcontrollers	microcontroller.ti.com
RFID	www.ti-rfid.com
OMAP Applications Processors	www.ti.com/omap
Wireless Connectivity	www.ti.com/wirelessconnectivity

Applications

Automotive and Transportation	www.ti.com/automotive
Communications and Telecom	www.ti.com/communications
Computers and Peripherals	www.ti.com/computers
Consumer Electronics	www.ti.com/consumer-apps
Energy and Lighting	www.ti.com/energy
Industrial	www.ti.com/industrial
Medical	www.ti.com/medical
Security	www.ti.com/security
Space, Avionics and Defense	www.ti.com/space-avionics-defense
Video and Imaging	www.ti.com/video

TI E2E Community

e2e.ti.com

Looking for pricing, stock, or lifecycle information?

Click below to explore more details on WIN SOURCE:

 [View SML-LXF0805SRD-TR on WIN SOURCE](#)

 [Lumex Opto/Components Inc. Information](#)

Optimize Your Supply Chain with WIN SOURCE Solutions

-  Global Sourcing Solution
-  Obsolete Management
-  Cost Control Management
-  Shortage Management
-  Alternative Solution
-  Excess Inventory Management