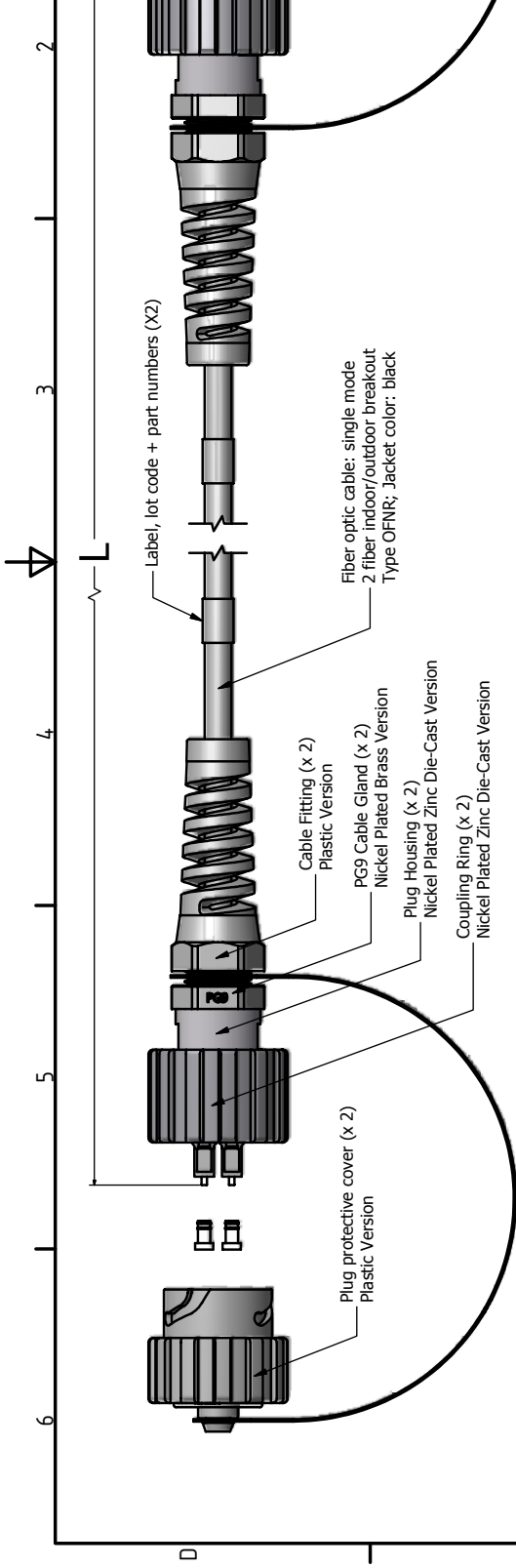




THE DATASHEET OF
17-300330-01





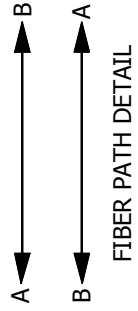
Cable Length L		Part Number	Max. IL
Meters	[Inches]		
1m ± 0.05m	[39.37" ± 1.97"]	17-300330-01	0.20 dB
2m ± 0.05m	[78.74" ± 1.97"]	17-300330-02	0.20 dB
3m ± 0.05m	[118.11" ± 1.97"]	17-300330-03	0.20 dB
4m ± 0.08m	[157.48" ± 3.15"]	17-300330-04	0.20 dB
5m ± 0.08m	[196.85" ± 3.15"]	17-300330-05	0.20 dB
6m ± 0.08m	[236.22" ± 3.15"]	17-300330-06	0.20 dB
7m ± 0.08m	[275.59" ± 3.15"]	17-300330-07	0.20 dB
8m ± 0.15m	[314.96" ± 5.91"]	17-300330-08	0.20 dB
9m ± 0.15m	[354.33" ± 5.91"]	17-300330-09	0.20 dB
10m ± 0.15m	[393.70" ± 5.91"]	17-300330-10	0.21 dB
11m ± 0.15m	[433.07" ± 5.91"]	17-300330-11	0.21 dB
12m ± 0.15m	[472.44" ± 5.91"]	17-300330-12	0.21 dB
13m ± 0.15m	[511.81" ± 5.91"]	17-300330-13	0.21 dB
14m ± 0.15m	[551.18" ± 5.91"]	17-300330-14	0.21 dB
15m ± 0.15m	[590.55" ± 5.91"]	17-300330-15	0.21 dB
16m ± 0.30m	[629.92" ± 11.81"]	17-300330-16	0.21 dB
17m ± 0.30m	[669.29" ± 11.81"]	17-300330-17	0.21 dB
18m ± 0.30m	[708.66" ± 11.81"]	17-300330-18	0.21 dB
19m ± 0.30m	[748.03" ± 11.81"]	17-300330-19	0.21 dB
20m ± 0.30m	[787.40" ± 11.81"]	17-300330-20	0.21 dB

Cable Length L		Part Number	Max. IL
Meters	[Inches]		
21m ± 0.30m	[826.77" ± 11.81"]	17-300330-21	0.21 dB
22m ± 0.30m	[866.14" ± 11.81"]	17-300330-22	0.22 dB
23m ± 0.30m	[905.51" ± 11.81"]	17-300330-23	0.22 dB
24m ± 0.30m	[944.88" ± 11.81"]	17-300330-24	0.22 dB
25m ± 0.30m	[984.25" ± 11.81"]	17-300330-25	0.22 dB
26m ± 0.30m	[1023.62" ± 11.81"]	17-300330-26	0.22 dB
27m ± 0.30m	[1062.99" ± 11.81"]	17-300330-27	0.22 dB
28m ± 0.30m	[1102.36" ± 11.81"]	17-300330-28	0.22 dB
29m ± 0.30m	[1141.73" ± 11.81"]	17-300330-29	0.22 dB
30m ± 0.30m	[1181.10" ± 11.81"]	17-300330-30	0.22 dB
31m ± 0.30m	[1220.47" ± 11.81"]	17-300330-31	0.22 dB
32m ± 0.30m	[1259.84" ± 11.81"]	17-300330-32	0.22 dB
33m ± 0.30m	[1299.21" ± 11.81"]	17-300330-33	0.22 dB
34m ± 0.30m	[1338.58" ± 11.81"]	17-300330-34	0.22 dB
35m ± 0.35m	[1377.95" ± 13.78"]	17-300330-35	0.22 dB
36m ± 0.35m	[1417.32" ± 13.78"]	17-300330-36	0.23 dB
37m ± 0.35m	[1456.69" ± 13.78"]	17-300330-37	0.23 dB
38m ± 0.35m	[1496.06" ± 13.78"]	17-300330-38	0.23 dB
39m ± 0.35m	[1535.43" ± 13.78"]	17-300330-39	0.23 dB
40m ± 0.40m	[1574.80" ± 15.75"]	17-300330-40	0.23 dB

Cable Length L		Part Number	Max. IL
Meters	[Inches]		
41m ± 0.40m	[1614.17" ± 15.75"]	17-300330-41	0.24 dB
42m ± 0.40m	[1653.54" ± 15.75"]	17-300330-42	0.24 dB
43m ± 0.40m	[1692.91" ± 15.75"]	17-300330-43	0.24 dB
44m ± 0.40m	[1732.28" ± 15.75"]	17-300330-44	0.24 dB
45m ± 0.40m	[1771.65" ± 15.75"]	17-300330-45	0.24 dB
46m ± 0.40m	[1811.02" ± 15.75"]	17-300330-46	0.24 dB
47m ± 0.40m	[1850.39" ± 15.75"]	17-300330-47	0.24 dB
48m ± 0.40m	[1889.76" ± 15.75"]	17-300330-48	0.24 dB
49m ± 0.40m	[1929.13" ± 15.75"]	17-300330-49	0.24 dB
50m ± 0.50m	[1968.50" ± 19.69"]	17-300330-50	0.24 dB
51m ± 0.50m	[2007.87" ± 19.69"]	17-300330-51	0.24 dB
52m ± 0.50m	[2047.24" ± 19.69"]	17-300330-52	0.24 dB
53m ± 0.50m	[2086.61" ± 19.69"]	17-300330-53	0.24 dB
54m ± 0.50m	[2125.98" ± 19.69"]	17-300330-54	0.24 dB
55m ± 0.50m	[2165.35" ± 19.69"]	17-300330-55	0.24 dB
56m ± 0.50m	[2204.72" ± 19.69"]	17-300330-56	0.24 dB
57m ± 0.50m	[2244.09" ± 19.69"]	17-300330-57	0.24 dB
58m ± 0.50m	[2283.46" ± 19.69"]	17-300330-58	0.24 dB
59m ± 0.50m	[2322.83" ± 19.69"]	17-300330-59	0.24 dB
60m ± 0.60m	[2362.21" ± 23.62"]	17-300330-60	0.24 dB

NOTES:

1. MAXIMUM CONNECTOR INSERTION LOSS (IL): 0.2 dB, PLUS CABLE ATTENUATION OF 0.78dB/km AT 1310nm
2. TEST DATA PROVIDED WITH EACH ASSEMBLY



FIBER PATH DETAIL

Directive 2002/95/EC RoHS Compliant

THIS DRAWING MAY NOT BE COPIED OR REPRODUCED IN ANY WAY, AND MAY NOT BE PASSED ON TO A THIRD PARTY WITHOUT WRITTEN PERMISSION. OWNERSHIP AND COPYRIGHT OF CONEC CORPORATION.

DOT NOT ALTER CAD DRAWING BY HAND

Customer:		Approval Date	
Name	Title	Date	Name
		2011	
		Draw.	Draw.
		Appd.	Appd.
		Norm	Norm
		D-old	D-old

Tolerance: Unless otherwise specified		Date	
Angular	Flat	2011	
		Jul. 29	
		Appd.	Appd.
		Jul. 29	Jul. 29
		Norm	Norm
		D-old	D-old



Looking for pricing, stock, or lifecycle information?

Click below to explore more details on WIN SOURCE:

 [View 17-300330-01](#) on WIN SOURCE

 [Manufacturer](#) Information

Optimize Your Supply Chain with WIN SOURCE Solutions

-  Global Sourcing Solution
-  Obsolete Management
-  Cost Control Management
-  Shortage Management
-  Alternative Solution
-  Excess Inventory Management