



# THE DATASHEET OF ZCPEG11



# Product data sheet

Specifications



## Body bracket, Harmony XB6, with fixing screws

ZB6Y011

**Product availability: Stock - Normally stocked in distribution facility**

### Main

Range of Product	Harmony XB6
Accessory / separate part designation	Body bracket with fixing screws
Accessory / Separate Part Type	Collar
Product or Component Type	Body bracket
Accessory / separate part category	Mounting and fixing accessories
Accessory / separate part destination	Printed circuit board
Quantity per Set	Set of 4

### Complementary

Product Weight	0.02 lb(US) (0.01 kg)
----------------	-----------------------

### Ordering and shipping details

Category	US10CS222459
Discount Schedule	0CS2
GTIN	3389110767933
Returnability	Yes
Country of origin	FR

### Packing Units

Unit Type of Package 1	PCE
Nbr. of units in pkg.	1
Package 1 Height	0.71 in (1.800 cm)
Package 1 Width	0.87 in (2.200 cm)
Package 1 Length	0.87 in (2.200 cm)
Package weight(Lbs)	0.141 oz (4.000 g)
Unit Type of Package 2	BB1
Number of Units in Package 2	4
Package 2 Height	1.10 in (2.800 cm)
Package 2 Width	1.42 in (3.600 cm)
Package 2 Length	5.39 in (13.700 cm)
Package 2 Weight	0.705 oz (20.000 g)

Price is "List Price" and may be subject to a trade discount – check with your local distributor or retailer for actual price.

# Contractual warranty

---

Warranty

18 months

## Environmental Data

Schneider Electric aims to achieve Net Zero status by 2050 through supply chain partnerships, lower impact materials, and circularity via our ongoing "Use Better, Use Longer, Use Again" campaign to extend product lifetimes and recyclability.

[Environmental Data explained >](#)

[How we assess product sustainability >](#)

### Environmental footprint

Carbon footprint (kg CO2 eq, Total Life cycle)	1
--	---

## Use Better

### Materials and Substances

Packaging made with recycled cardboard	Yes
--	-----

Packaging without single use plastic	No
--------------------------------------	----

<a href="#">EU RoHS Directive</a>	Pro-active compliance (Product out of EU RoHS legal scope)
-----------------------------------	--

California proposition 65	<b>WARNING:</b> This product can expose you to chemicals including: Di-isodecyl phthalate (DIDP), which is known to the State of California to cause birth defects or other reproductive harm. For more information go to <a href="http://www.P65Warnings.ca.gov">www.P65Warnings.ca.gov</a>
---------------------------	--

## Use Again

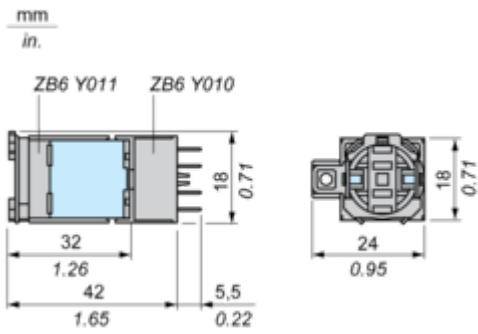
### Repack and remanufacture

Take-back	No
-----------	----

Dimensions Drawings

Plug-In Socket Adaptor for Printed Circuit Board Mounting and Body Bracket

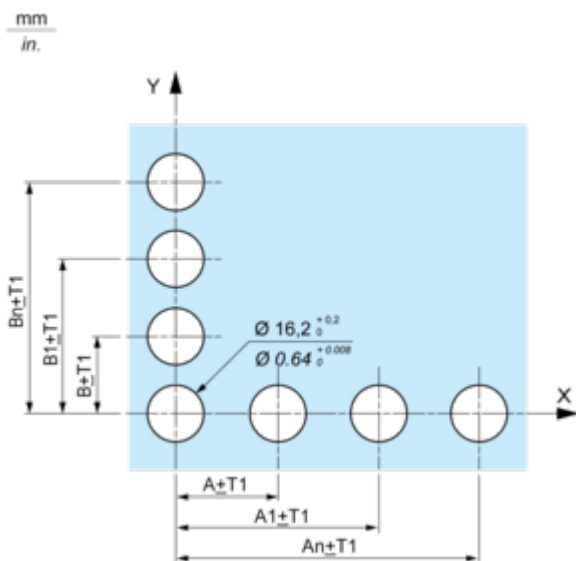
Dimensions



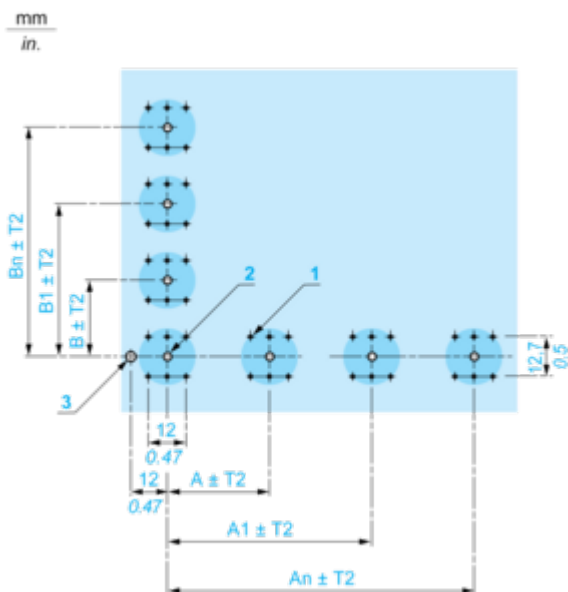
Mounting and Clearance

Pushbuttons, Switches and Pilot Lights for Printed Circuit Board Connection

Front Panel Cut-out (Viewed from Installer's Side)



Printed Circuit Board Drillings (Viewed from Electrical Block Side)



A 24 mm/0.94 in. minimum for rectangular heads, 18 mm/0.71 in. minimum for square or circular heads

B 18 mm/0.71 in. minimum

(1) 6 x  $\varnothing 1.1$  mm / 6 x  $\varnothing 0.04$  in. holes.

(2) 1 x  $\varnothing 2.6^{+0}_{-0.2}$  mm / 1 x  $\varnothing 0.10^{+0}_{-0.008}$  in. hole for locating pin, only when using socket adaptor ZB6Y010.

(3) 1 x  $\varnothing 3.2^{+0}_{-0.2}$  mm / 1 x  $\varnothing 0.13^{+0}_{-0.008}$  in. hole for fixing of printed circuit board onto the front panel using body bracket ZB6Y011. This hole must be drilled on the left-hand side, when heads are positioned at the normal angle. Fit a body bracket ZB6Y011 every 72 mm/2.83 in. maximum for cut-outs on 24 mm/0.94 in. centres (rectangular heads) and 54 mm/2.13 in. maximum for cut-outs on 18 mm/0.71 in. centres (square or circular heads).

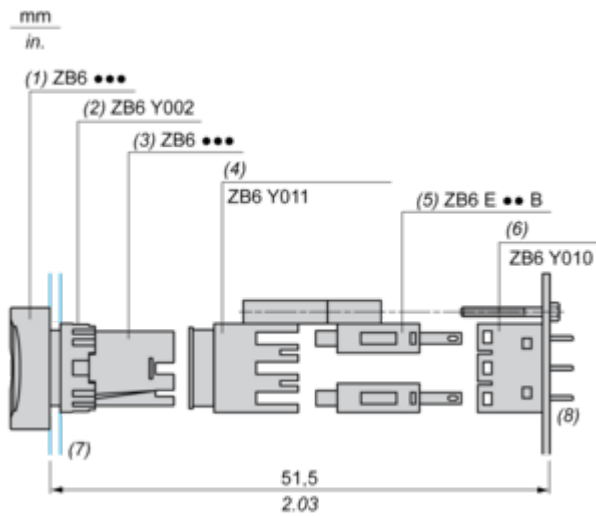
General tolerances of the panel and printed circuit board: T1, T2: T1 + T2 = 0.3 mm/0.01 in. maximum.

Installation precautions:

Thickness of printed circuit board: 1.6 mm/0.06 in. minimum.

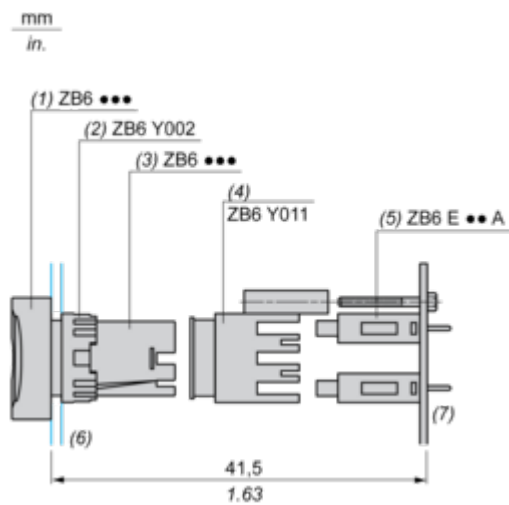
Mounting with Body Bracket

With socket adaptor ZB6Y010



- (1) Head
- (2) Nut
- (3) Body
- (4) Body bracket
- (5) Contact block
- (6) Socket adaptor
- (7) Panel
- (8) Printed circuit

Direct mounting without socket adaptor ZB6Y010



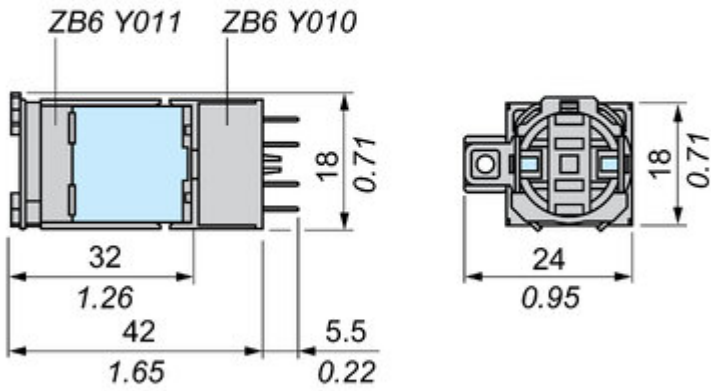
- (1) Head
- (2) Nut
- (3) Body
- (4) Body bracket
- (5) Contact block
- (6) Panel
- (7) Printed circuit

Technical Illustration

Dimensions

---

mm  
in.



## Looking for pricing, stock, or lifecycle information?

Click below to explore more details on WIN SOURCE:

 [View ZCPEG11 on WIN SOURCE](#)

 [Manufacturer Information](#)

## Optimize Your Supply Chain with WIN SOURCE Solutions

-  Global Sourcing Solution
-  Obsolete Management
-  Cost Control Management
-  Shortage Management
-  Alternative Solution
-  Excess Inventory Management