

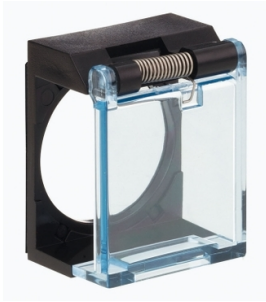


THE DATASHEET OF ZB4BV3



Product data sheet

Specifications



Protective shutter, Harmony XB6, for circular or square head 16mm

ZB6YA001

Main

Range of product	Harmony XB6
Accessory / separate part designation	Protective shutter
Accessory / separate part type	Shutter
Product or component type	Protective shutter
Accessory / separate part category	Protection accessories
Accessory / separate part destination	Circular button Square button
Quantity per set	Set of 1

Complementary

Product weight	0.003 kg
----------------	----------

Packing Units

Unit Type of Package 1	PCE
Number of Units in Package 1	1
Package 1 Height	2.8 cm
Package 1 Width	3.9 cm
Package 1 Length	5.2 cm
Package 1 Weight	5.0 g
Unit Type of Package 2	S01
Number of Units in Package 2	80
Package 2 Height	15.0 cm
Package 2 Width	15.0 cm
Package 2 Length	40.0 cm
Package 2 Weight	535.0 g

Contractual warranty

Warranty	18 months
----------	-----------



Environmental Data

Schneider Electric aims to achieve Net Zero status by 2050 through supply chain partnerships, lower impact materials, and circularity via our ongoing “Use Better, Use Longer, Use Again” campaign to extend product lifetimes and recyclability.

[Environmental Data explained >](#)

[How we assess product sustainability >](#)

Environmental footprint

Total lifecycle Carbon footprint	1
----------------------------------	---

Use Better

Materials and Substances

Packaging made with recycled cardboard	Yes
----------------------------------------	-----

Packaging without single use plastic	No
--------------------------------------	----

[EU RoHS Directive](#)

Pro-active compliance (Product out of EU RoHS legal scope)

California proposition 65

WARNING: This product can expose you to chemicals including: Di-isodecyl phthalate (DIDP), which is known to the State of California to cause birth defects or other reproductive harm. For more information go to www.P65Warnings.ca.gov

Use Again

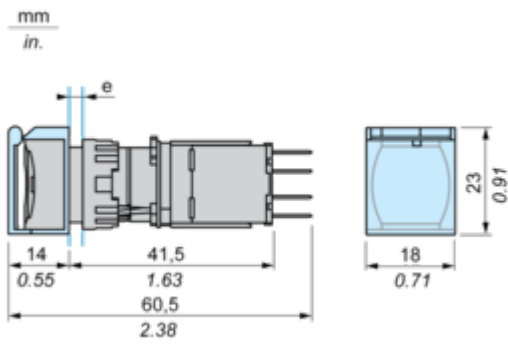
Repack and remanufacture

Take-back	No
-----------	----

Dimensions Drawings

Protective Shutter for Square or Circular Head

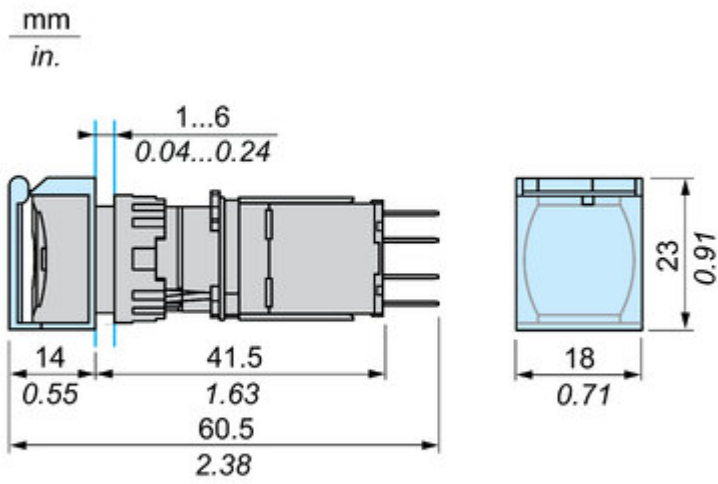
Dimensions



e panel thickness 1 to 6 mm/0.04 to 0.24 in.


Technical Illustration

Dimensions



Looking for pricing, stock, or lifecycle information?

Click below to explore more details on WIN SOURCE:

 [View ZB4BV3 on WIN SOURCE](#)

 [Schneider Electric](#) Information

Optimize Your Supply Chain with WIN SOURCE Solutions

-  Global Sourcing Solution
-  Obsolete Management
-  Cost Control Management
-  Shortage Management
-  Alternative Solution
-  Excess Inventory Management