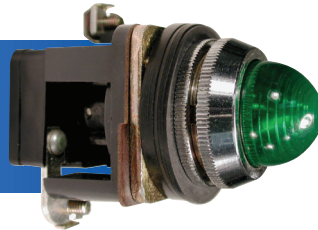


30mm Metal Pilot Lights



Certified for
NEMA Type 4X
12 environment.

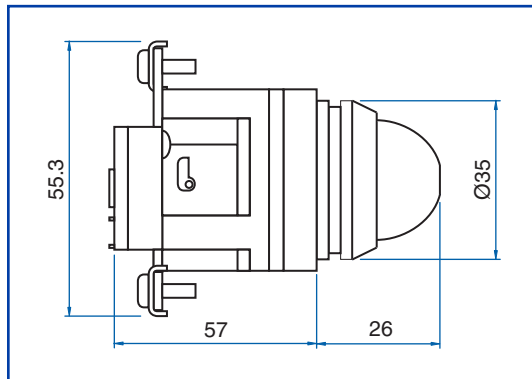
Pilot Light



Note:
All LED pilot lights and illuminated actuators at a specified voltage will operate on AC and DC.
Except for 110 and 230V specify AC or DC type.

Dimensional Drawings

Pilot Light



Replacement bulbs
available.
See page 54.



Filament Bulb

Color	Voltage	Cat No.
24V AC/DC (filament bulb)		
White	24V AC/DC	PLB1-024
Green	24V AC/DC	PLB3-024
Red	24V AC/DC	PLB4-024
Amber	24V AC/DC	PLB5-024
Blue	24V AC/DC	PLB6-024
Clear	24V AC/DC	PLB7-024
Yellow	24V AC/DC	PLB8-024
48V AC/DC (filament bulb)		
White	48V AC/DC	PLB1-048
Green	48V AC/DC	PLB3-048
Red	48V AC/DC	PLB4-048
Amber	48V AC/DC	PLB5-048
Blue	48V AC/DC	PLB6-048
Clear	48V AC/DC	PLB7-048
Yellow	48V AC/DC	PLB8-048
110V AC/DC (filament bulb)		
White	110V AC/DC	PLB1-110
Green	110V AC/DC	PLB3-110
Red	110V AC/DC	PLB4-110
Amber	110V AC/DC	PLB5-110
Blue	110V AC/DC	PLB6-110
Clear	110V AC/DC	PLB7-110
Yellow	110V AC/DC	PLB8-110
230V AC/DC (filament bulb)		
White	230V AC/DC	PLB1-230
Green	230V AC/DC	PLB3-230
Red	230V AC/DC	PLB4-230
Amber	230V AC/DC	PLB5-230
Blue	230V AC/DC	PLB6-230
Clear	230V AC/DC	PLB7-230
Yellow	230V AC/DC	PLB8-230

LED Bulb

Color	Voltage	Cat No.
24V AC/DC (LED bulb)		
White	24V AC/DC	PLB1LB-024
Green	24V AC/DC	PLB3LB-024
Red	24V AC/DC	PLB4LB-024
Amber	24V AC/DC	PLB5LB-024
Blue	24V AC/DC	PLB6LB-024
Clear	24V AC/DC	PLB7LB-024
Yellow	24V AC/DC	PLB8LB-024
48V AC/DC (LED bulb)		
White	48V AC/DC	PLB1LB-048
Green	48V AC/DC	PLB3LB-048
Red	48V AC/DC	PLB4LB-048
Amber	48V AC/DC	PLB5LB-048
Blue	48V AC/DC	PLB6LB-048
Clear	48V AC/DC	PLB7LB-048
Yellow	48V AC/DC	PLB8LB-048
110V AC/DC (LED bulb)		
White	110V AC	PLB1LB-110
Green	110V AC	PLB3LB-110
Red	110V AC	PLB4LB-110
Amber	110V AC	PLB5LB-110
Blue	110V AC	PLB6LB-110
Clear	110V AC	PLB7LB-110
Yellow	110V AC	PLB8LB-110
230V AC* (LED bulb)		
White	230V AC*	PLB1LB-230
Green	230V AC*	PLB3LB-230
Red	230V AC*	PLB4LB-230
Amber	230V AC*	PLB5LB-230
Blue	230V AC*	PLB6LB-230
Clear	230V AC*	PLB7LB-230
Yellow	230V AC*	PLB8LB-230

*230V DC version is available on request.

Looking for pricing, stock, or lifecycle information?

Click below to explore more details on WIN SOURCE:

 [View ZB5AVB1 on WIN SOURCE](#)

 [Schneider Electric](#) Information

Optimize Your Supply Chain with WIN SOURCE Solutions

-  Global Sourcing Solution
-  Obsolete Management
-  Cost Control Management
-  Shortage Management
-  Alternative Solution
-  Excess Inventory Management