



**THE DATASHEET OF**  
**22-903.3**



# Actuator

31-  
030.002

Distribution by  
DigiKey

**DigiKey**



<https://digikey.eao.com/component/31-030.002/...>

Your product:

---



## 31-030.002 Actuator

*Loading ...*

### PRODUCT RANGE

**Product Status:** Not Recommended for new design

### FRONT

**Front dimension:** Ø 18 mm

**Front form:** Round

**Front bezel colour:** Black

**Front bezel material:** Plastic

### MOUNTING

**Design:** Raised

**Mounting cut-out:** Ø 16 mm

**Mounting type:** Panel mounting

### MECHANICAL CHARACTERISTICS

**Terminal:** Plug-in terminal, 2.8 x 0.5 mm

**Weight:** 0.004 kg

### CERTIFICATE

**REACH:** REACH compliant

**RoHS:** RoHS compliant

### OTHER

**Short Description:**

Actuator, Ø 16 mm, Ø 18 mm, Round, Black, Plastic, Plug-in terminal, 2.8 x 0.5 mm

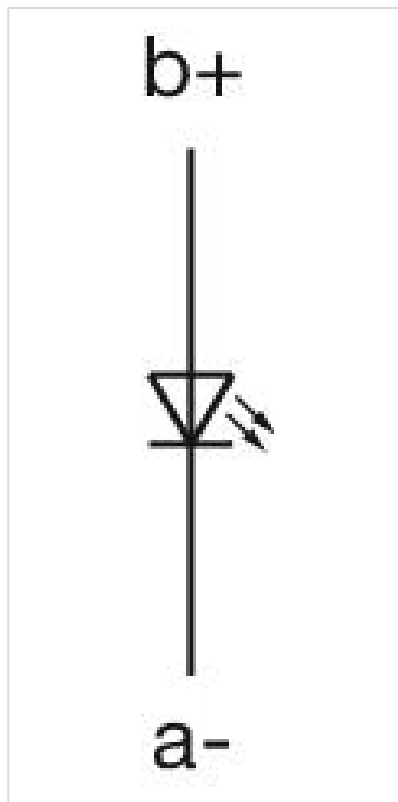
**Internal size:**

Ø 15,8 mm

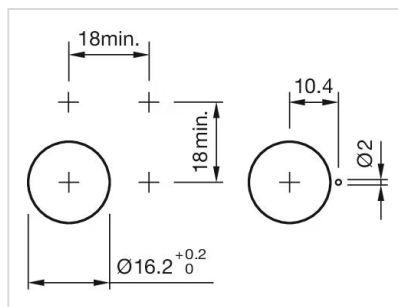
**Housing colour:**

Black

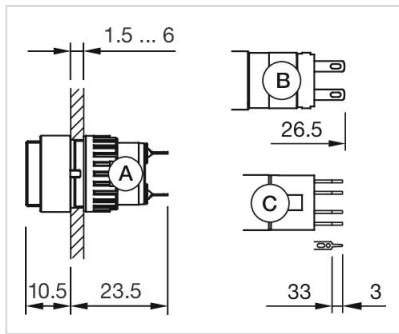
**Wiring diagrams:**



**Mounting cut-outs:**




**Dimension drawings:**



- A = Solder terminal
- B = Plug-in terminal 2.8 mm x 0.5 mm
- C = Universal terminal 2.0 mm x 0.5 mm

## Looking for pricing, stock, or lifecycle information?

Click below to explore more details on WIN SOURCE:

 [View 22-903.3 on WIN SOURCE](#)

 [EAO Information](#)

## Optimize Your Supply Chain with WIN SOURCE Solutions

-  Global Sourcing Solution
-  Obsolete Management
-  Cost Control Management
-  Shortage Management
-  Alternative Solution
-  Excess Inventory Management