



THE DATASHEET OF
9001KR1BH13



Product data sheet

Specifications



Push button, Harmony 9001SK, plastic, flush, black, 30mm, spring return, 1 C/O

9001SKR1BH13

Main

| | |
|---------------------------------|-----------------------|
| Range of product | Harmony 9001SK |
| Product or component type | Push-button |
| Device short name | 9001SK |
| Type of operator | spring return |
| Operator profile | Black flush, unmarked |
| Operator additional information | Plastic guard |

Complementary

| | |
|---|---|
| Bezel material | Plastic |
| Mounting diameter | 30 mm |
| Shape of signaling unit head | Octagonal |
| Contacts type and composition | 1 C/O |
| Contact operation | Standard |
| Connections - terminals | Screw clamp terminals 1 x 0.22...2 x 1.5 mm ² conforming to IEC 60947-1 |
| Tightening torque | 0.8 N.m conforming to IEC 60947-1 |
| Shape of screw head | Cross slotted |
| Mechanical durability | 5000000 cycles |
| Operating position | Any position |
| [Ie] rated operational current | 3 A at 240 V, AC-15, A600-Q600 0.55 A at 125 V, DC-13, A600-Q600 |
| [Ui] rated insulation voltage | 250 V (pollution degree 3) conforming to IEC 60947-1 |
| [Uimp] rated impulse withstand voltage | 2.5 kV conforming to IEC 60947-1 |
| Contacts material | Silver alloy contacts |
| Positive opening | Without |
| Short-circuit protection | 10 A cartridge fuse conforming to IEC 60947-5-1 |
| [Ith] conventional free air thermal current | 10 A |
| [Icm] rated short-circuit making capacity | 12 kA at 600 V AC-15, 7200 VA 15 kA at 480 V AC-15, 7200 VA 30 kA at 240 V AC-15, 7200 VA 60 kA at 120 V AC-15, 7200 VA 0.1 kA at 600 V DC-13 0.27 kA at 250 V DC-13 0.55 kA at 125 V DC-13 |

| | |
|------------------------------------|--|
| Rated breaking capacity | 3 kA at 240 V AC-15, 720 VA 6 kA at 120 V AC-15, 720 VA 6 kA at 125 V DC-13, 720 VA 1.2 kA at 600 V AC-15, 720 VA 1.5 kA at 480 V AC-15, 720 VA 0.1 kA at 600 V DC-13 0.27 kA at 250 V DC-13 |
| Product weight | 0.086 kg |
| Device presentation | Complete product |
| Cap/operator or lens colour | Black |
| Operator profile | Flush |
| Type of operator | Spring return |
| Size | 30 mm |

Environment

| | |
|--|---|
| Standards | IEC 60947-1 IEC 60947-5-4 JIS C 852 IEC 60947-5-1 CSA C22.2 No 14 JIS C 4520 |
| Product certifications | NEMA UL 508 |
| Protective treatment | TC |
| Ambient air temperature for storage | -40...70 °C |
| Ambient air temperature for operation | -25...70 °C |
| Vibration resistance | 7 gn (f= 2...500 Hz) conforming to IEC 60068-2-6 |
| Shock resistance | 50 gn conforming to IEC 60068-2-27 |
| Electrical shock protection class | Class II conforming to IEC 61140 |
| IP degree of protection | IP66 conforming to IEC 60529 |
| NEMA degree of protection | NEMA 1 NEMA 12 NEMA 13 NEMA 2 NEMA 3 NEMA 3R NEMA 4 NEMA 4X |

Packing Units

| | |
|-------------------------------------|-----------|
| Unit Type of Package 1 | PCE |
| Number of Units in Package 1 | 1 |
| Package 1 Height | 4.572 cm |
| Package 1 Width | 5.334 cm |
| Package 1 Length | 9.398 cm |
| Package 1 Weight | 62.000 g |
| Unit Type of Package 2 | S01 |
| Number of Units in Package 2 | 16 |
| Package 2 Height | 15.000 cm |
| Package 2 Width | 15.000 cm |

| | |
|-------------------------------------|-----------|
| Package 2 Length | 40.000 cm |
| Package 2 Weight | 999.000 g |
| Unit Type of Package 3 | P06 |
| Number of Units in Package 3 | 352 |
| Package 3 Height | 75.000 cm |
| Package 3 Width | 80.000 cm |
| Package 3 Length | 60.000 cm |
| Package 3 Weight | 39.955 kg |

Contractual warranty

| | |
|-----------------|-----------|
| Warranty | 18 months |
|-----------------|-----------|




Environmental Data

Schneider Electric aims to achieve Net Zero status by 2050 through supply chain partnerships, lower impact materials, and circularity via our ongoing “Use Better, Use Longer, Use Again” campaign to extend product lifetimes and recyclability.



[Environmental Data explained >](#)

[How we assess product sustainability >](#)

Use Better

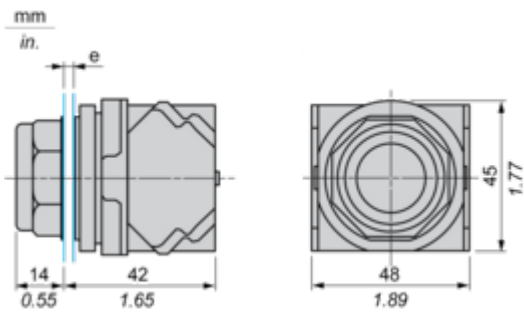
|  Materials and Substances | |
|---|--|
| Packaging made with recycled cardboard | Yes |
| Packaging without single use plastic | Yes |
| EU RoHS Directive | Pro-active compliance (Product out of EU RoHS legal scope) |
| California proposition 65 | WARNING: This product can expose you to chemicals including: Lead and lead compounds, which is known to the State of California to cause cancer and birth defects or other reproductive harm. For more information go to www.P65Warnings.ca.gov |

Use Again

|  Repack and remanufacture | |
|--|--|
| Take-back | No |
| WEEE Label |  The product must be disposed on European Union markets following specific waste collection and never end up in rubbish bins |

Dimensions Drawings

Dimensions

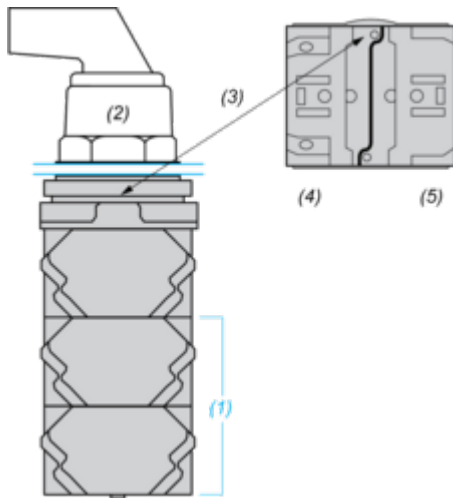


e panel thickness: 1 to 6 mm / 0.04 to 0.24 in.

Mounting and Clearance

Contact Block Mounting Position

Top and Rear views



- (1) It is possible to mount up to 3 levels of contacts blocks (maximum of 6 contacts blocks)
- (2) Operator
- (3) Locating notch
- (4) Side 1
- (5) Side 2

Looking for pricing, stock, or lifecycle information?

Click below to explore more details on WIN SOURCE:

 [View 9001KR1BH13 on WIN SOURCE](#)

 [Schneider Electric](#) Information

Optimize Your Supply Chain with WIN SOURCE Solutions

-  Global Sourcing Solution
-  Obsolete Management
-  Cost Control Management
-  Shortage Management
-  Alternative Solution
-  Excess Inventory Management