



**THE DATASHEET OF  
XCSLE2727512**



# Product data sheet

Specifications



## Latching emergency stop rope pull switch, Telemecanique rope pull switches XY2C, e XY2CH, 2NC, booted pushbutton

XY2CH13270H7

! Discontinued

### Main

Range of product	Telemecanique Emergency stop rope pull switches XY2C
Product or component type	Latching emergency stop rope pull switch
Device short name	XY2CH
Housing colour	Red RAL 3000
Overvoltage category	Class I conforming to EN/IEC 61140 Class I conforming to NF C 20-030

### Complementary

Local signalling	Without pilot light
Number of cables	1
Trigger cable maximum length	30 m
Body material	Zamak
Cover material	Stainless steel
Reset	By booted push-button
Contacts type and composition	2 NC
Contact operation	Slow-break
Trigger cable anchor point	RH or LH side
Connections - terminals	Screw clamp terminal, 1 x 0.5...2 x 1.5 mm <sup>2</sup>
tightening torque	0.8...1.2 N.m
Cable entry number	3 tapped entry for 1/2" NPT conduit entry
Safety level	Can reach PL = e with the appropriate monitoring system and correctly wired conforming to EN/ISO 13849-1 Can reach category 4 with the appropriate monitoring system and correctly wired conforming to EN/ISO 13849-1 Can reach SIL 3 with the appropriate monitoring system and correctly wired conforming to EN/IEC 61508
Safety reliability data	B10d = 4000000 conforming to IEC 60947-5-5 value given for a life time of 20 years limited by mechanical or contact wear
Marking	CE
Mechanical durability	800000 cycles
Distance between cable supports	5 m
[Ie] rated operational current	3 A at 240 V, AC-15, A300 conforming to EN/IEC 60947-5-1 appendix A 0.27 A at 250 V, DC-13, Q300 conforming to EN/IEC 60947-5-1 appendix A
[Ithe] conventional enclosed thermal current	10 A

<b>[Ui] rated insulation voltage</b>	500 V (pollution degree 3) conforming to EN/IEC 60947-1 300 V conforming to UL 508 300 V conforming to CSA C22.2 No 14
<b>[Uimp] rated impulse withstand voltage</b>	6 kV conforming to EN/IEC 60947-1
<b>Positive opening</b>	With conforming to EN/IEC 60947-5-1
<b>Maximum resistance across terminals</b>	25 MOhm conforming to EN/IEC 60255-7 category 3 25 MOhm conforming to NF C 93-050 method A
<b>Short-circuit protection</b>	10 A cartridge fuse type gG conforming to EN/IEC 60269
<b>Terminals description ISO n°1</b>	(11-22)NC (21-22)NC
<b>Product weight</b>	0.865 kg
<b>Compatibility code</b>	XY2CH

## Environment

<b>Standards</b>	EN/ISO 13850 EN/IEC 60947-5-1 UL 508 EN/IEC 60204-1 Work equipment directive 2009/104/EC EN/IEC 60947-5-5 CSA C22.2 No 14 Machinery directive 2006/42/EC
<b>Product certifications</b>	UL category NISD emergency stop devices CSA CCC
<b>Protective treatment</b>	TC
<b>Ambient air temperature for operation</b>	-25...70 °C
<b>Ambient air temperature for storage</b>	-40...70 °C
<b>Vibration resistance</b>	10 gn (f= 10...150 Hz) conforming to EN/IEC 60068-2-6
<b>Shock resistance</b>	50 gn 11 ms conforming to EN/IEC 60068-2-27
<b>IP degree of protection</b>	IP65 conforming to IEC 60529

## Packing Units

<b>Unit Type of Package 1</b>	PCE
<b>Number of Units in Package 1</b>	1
<b>Package 1 Height</b>	9.000 cm
<b>Package 1 Width</b>	8.000 cm
<b>Package 1 Length</b>	19.500 cm
<b>Package 1 Weight</b>	1.010 kg
<b>Unit Type of Package 2</b>	S03
<b>Number of Units in Package 2</b>	10
<b>Package 2 Height</b>	30.000 cm
<b>Package 2 Width</b>	30.000 cm
<b>Package 2 Length</b>	40.000 cm
<b>Package 2 Weight</b>	10.650 kg

## Contractual warranty





## Environmental Data

Schneider Electric aims to achieve Net Zero status by 2050 through supply chain partnerships, lower impact materials, and circularity via our ongoing “Use Better, Use Longer, Use Again” campaign to extend product lifetimes and recyclability.

[Environmental Data explained >](#)

[How we assess product sustainability >](#)

### Use Better

#### Materials and Substances

Packaging made with recycled cardboard	No
Packaging without single use plastic	No
SCIP Number	75d55d77-5df7-4078-8159-fa24241698c9
EU RoHS Directive	<a href="#">Compliant By Exemption</a>
California proposition 65	<b>WARNING:</b> This product can expose you to chemicals including: Diisononyl phthalate (DINP), which is known to the State of California to cause cancer, and Di-isodecyl phthalate (DIDP), which is known to the State of California to cause birth defects or other reproductive harm. For more information go to <a href="http://www.P65Warnings.ca.gov">www.P65Warnings.ca.gov</a>

### Use Longer

#### Lifetime extension

Repair	No
--------	----

### Use Again

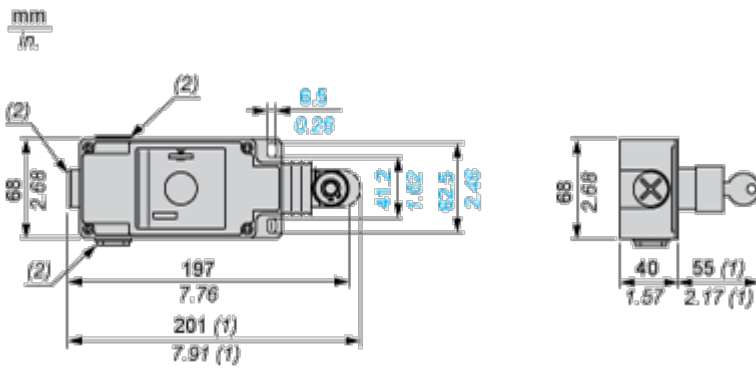
#### Repack and remanufacture

End of life manual availability	No need of specific recycling operations
Take-back	No

Dimensions Drawings

Dimensions

---



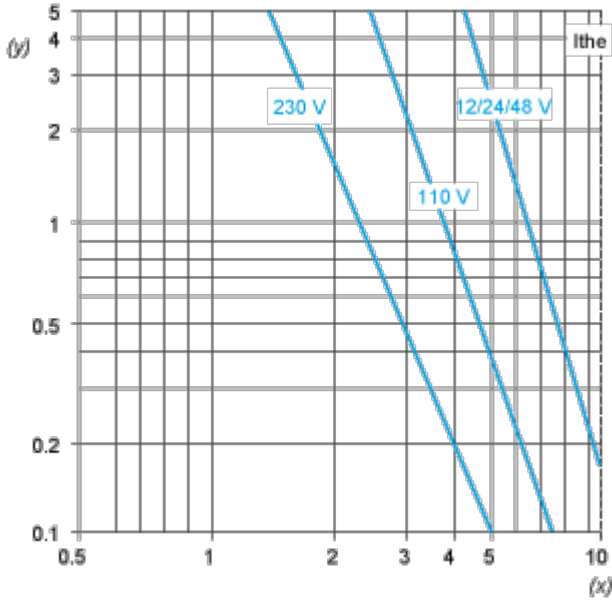
- (1) Maximum extension.
- (2) Tapped entry for 1/2" NPT

Performance Curves

Electrical Curves

AC Supply 50/60 Hz Inductive Circuit

2-pole Contact Block



Y Millions of operating cycles

X Current in A

DC Supply Power Broken in for 1 Million Operating Cycles Inductive Circuit

Voltage	V	24	48	120
$P_{max}$	W	13	9	7

## Looking for pricing, stock, or lifecycle information?

Click below to explore more details on WIN SOURCE:

 [View XCSLE2727512 on WIN SOURCE](#)

 [Manufacturer Information](#)

## Optimize Your Supply Chain with WIN SOURCE Solutions

-  Global Sourcing Solution
-  Obsolete Management
-  Cost Control Management
-  Shortage Management
-  Alternative Solution
-  Excess Inventory Management