



**THE DATASHEET OF  
ISL9219IRZ-T**





**Absolute Maximum Ratings**

Supply Voltage (VIN)	-0.3V to 30V
Output Pin Voltage (STAT1, STAT2, PG, ACFLT)	-0.3V to 7V
All Other Pins	-0.3V to 5.5V
Maximum Output Current	1.5A

**Recommended Operating Conditions**

Ambient Temperature Range	-40°C to +85°C
Maximum Supply Voltage, VIN	28V
Supply Voltage, VIN	4.3V to 6V
Programmable Charge Current	50mA to 1A

**Thermal Information**

Thermal Resistance (Junction to Ambient) $\theta_{JA}$ (°C/W)	$\theta_{JC}$ (°C/W)
3x4 QFN Package (Notes 1, 2)	41 4.5
Maximum Junction Temperature (Plastic Package)	+150°C
Maximum Storage Temperature Range	-65°C to +150°C
Pb-free Reflow Profile	see link below
<a href="http://www.intersil.com/pbfree/Pb-FreeReflow.asp">http://www.intersil.com/pbfree/Pb-FreeReflow.asp</a>	

**CAUTION:** Do not operate at or near the maximum ratings listed for extended periods of time. Exposure to such conditions may adversely impact product reliability and result in failures not covered by warranty.

**NOTES:**

- $\theta_{JA}$  is measured in free air with the component mounted on a high effective thermal conductivity test board with "direct attach" features. See Tech Brief TB379.
- $\theta_{JC}$ , "case temperature" location is at the center of the exposed metal pad on the package underside. See Tech Brief TB379.

**Electrical Specifications** Typical values are tested at VIN = 5V and +25°C Ambient Temperature, maximum and minimum values are established over the Recommended Operating Conditions, unless otherwise noted.

PARAMETER	SYMBOL	TEST CONDITIONS	MIN	TYP	MAX	UNITS
<b>POWER-ON RESET</b>						
Rising VIN Threshold	V <sub>POR</sub>		3.4	3.6	3.8	V
Falling VIN Threshold	V <sub>POR</sub>		2.2	2.4	2.6	V
<b>VIN-BAT OFFSET VOLTAGE</b>						
Rising Edge	V <sub>OS</sub>		-	90	150	mV
Falling Edge	V <sub>OS</sub>		10	50	-	mV
<b>AC FAULT DETECTION THRESHOLD</b>						
AC Fault Threshold	V <sub>ACFLT</sub>		4.3	4.4	4.5	V
<b>STANDBY CURRENT</b>						
VOUT Pin Sink Current	I <sub>LEAK</sub>	V <sub>IN</sub> < V <sub>POR</sub> or $\overline{EN}$ = HI	-	1	5.0	μA
VIN Pin Supply Current	I <sub>STANDBY</sub>	V <sub>OUT</sub> floating and $\overline{EN}$ = HI	-	250	300	μA
VIN Pin Supply Current	I <sub>RUN</sub>	V <sub>OUT</sub> floating and $\overline{EN}$ = LO	-	1	2	mA
<b>VOLTAGE REGULATION</b>						
Output Voltage	V <sub>CH</sub>	T <sub>A</sub> = +25°C, I <sub>OUT</sub> = 0mA	4.185	4.20	4.215	V
Output Voltage	V <sub>CH</sub>	I <sub>OUT</sub> = 0mA	4.169	4.20	4.231	V
Dropout Voltage		V <sub>OUT</sub> = 4.2V, I <sub>OUT</sub> = 1A	-	300	430	mV
<b>OVERVOLTAGE PROTECTION</b>						
Overvoltage Protection Rising Threshold	V <sub>OVPR</sub>		5.64	6.0	6.36	V
Overvoltage Protection Falling Threshold	V <sub>OVPF</sub>		5.54	5.6	-	V
<b>OUTPUT CURRENT</b>						
Constant Charge Current	I <sub>CHARGE</sub>	AC input R <sub>ISSET</sub> = 24kΩ	0.9	1.0	1.1	A
Output Current Set Voltage	V <sub>ISSET</sub>		2.364	2.4	2.436	V
Constant Charge Current	I <sub>CHARGE</sub>	USBI = HI	380	430	490	mA
Constant Charge Current	I <sub>CHARGE</sub>	USBI = LO or floating	65	85	95	mA
Trickle Charge Current	I <sub>TRICKLE</sub>	For any input type	65	85	95	mA

**Electrical Specifications** Typical values are tested at VIN = 5V and +25°C Ambient Temperature, maximum and minimum values are established over the Recommended Operating Conditions, unless otherwise noted. **(Continued)**

PARAMETER	SYMBOL	TEST CONDITIONS	MIN	TYP	MAX	UNITS
End-of-Charge Threshold	I <sub>MIN</sub>	For any input type	30	50	70	mA
<b>RECHARGE THRESHOLD</b>						
Recharge Voltage Threshold	V <sub>RECH</sub>		4.05	4.1	4.15	V
<b>TRICKLE CHARGE THRESHOLD</b>						
Trickle Charge Threshold Voltage	V <sub>MIN</sub>	PRECH is floating	2.9	3.0	3.1	V
Trickle Charge Threshold Voltage	V <sub>MIN</sub>	RPRECH = 82.5k	2.375	2.475	2.575	V
Trickle Charge Threshold Hysteresis	V <sub>MIN_HYS</sub>		35	60	150	mV
<b>TEMPERATURE MONITORING</b>						
Constant Current Source For TS	I <sub>TS</sub>		4.8	5.0	5.3	μA
Low Battery Temperature Threshold	V <sub>TMIN</sub>		1.86	1.88	1.91	V
High Battery Temperature Threshold	V <sub>TMAX</sub>		0.145	0.16	0.175	V
Battery Removal Threshold	V <sub>RMV</sub>		-	2.25	-	V
Charge Current Foldback Threshold	T <sub>FOLD</sub>		-	125	-	°C
Current Foldback Gain	G <sub>FOLD</sub>		-	100	-	mA/°C
<b>OSCILLATOR</b>						
Oscillation Period	t <sub>OSC</sub>	C <sub>TIME</sub> = 15nF	2.5	3.0	3.3	ms
<b>DE-GLITCH TIME</b>						
De-Glitch Time For EOC, Recharge	t <sub>DEG</sub>		40	100	170	ms
<b>LOGIC INPUT AND OUTPUT</b>						
Input High (USBI, $\overline{\text{EN}}$ , AC_IN)			1.4	-	-	V
Input Low (USBI, $\overline{\text{EN}}$ , AC_IN)			-	-	0.4	V
Open Drain Leakage Current When HI (STAT1, STAT2, ACFLT, TRKL)		Pin Voltage = 6V	-	-	1	μA
Open Drain Sink Current When LOW (STAT1, STAT2, ACFLT, TRKL)		Pin Voltage = 0.3V	20	-	-	mA
<b>VIN to PG Switch</b>						
PMOSFET ON-Resistance	r <sub>DS(ON)</sub>		-	3	5	Ω
Maximum Output Current	I <sub>PG</sub>		-	60	-	mA

## Pin Descriptions

### VIN (Pins 1, 20)

Input supply voltage. Connect a 1µF ceramic capacitor to power ground.

### USBI (Pin 2)

USB power type selection logic input. When this pin is left floating or driven to logic LOW, the USB port is regarded as a low-power port with 100mA maximum output current. In such cases, the charge current is internally set to 85mA. When this pin is driven to logic HIGH, the USB port is considered a high-power port with a 500mA maximum current available. In such cases, the charge current is set at 430mA regardless of the ISET resistor. There is a 600k pull-down resistor between the USBI pin to GND.

### AC\_IN (Pin 3)

Input source type configuration pin. Pull this pin to logic HI to configure the charger for an AC adapter. If this pin is left floating or driven to logic LO, the charger is configured for USB source type, where the charge current is set at 430mA or 85mA, depending on the USBI status. There is a 600k pull-down resistor between the AC\_IN pin to GND.

### TRKL (Pin 4)

Open-drain indication pin which turns on when charger is in trickle mode, otherwise turns off. This pin is capable to sink 20mA minimum current to drive an LED.

### STAT1 (Pin 5)

Open-drain indication pin. In conjunction with STAT2 this pin provides a unique indication for each charging state of the cycle. This pin is capable to sink 20mA minimum current to drive an LED.

### STAT2 (Pin 6)

Open-drain indication pin. In conjunction with STAT1 this pin provides a unique indication for each charging state of the cycle. This pin is capable to sink 20mA minimum current to drive an LED.

### PRECH (Pin 7)

Pre-charge threshold voltage programming input pin. Connect a resistor between this pin and GND to set the threshold voltage by Equation 1:

$$V_{\text{PRECH}} = \frac{3 \times R_{\text{PRECH}}}{100} \quad (\text{V}) \quad (\text{EQ. 1})$$

Where  $R_{\text{PRECH}}$  is in kΩ, valid for  $R_{\text{PRECH}} \leq 100\text{k}\Omega$ .

### ISET (Pin 8)

Charge-current programming and monitoring pin. Connect a resistor between this pin and the GND pin to set the charge current limit by Equation 2:

$$I_{\text{OUT}} = \frac{24000}{R_{\text{ISET}}} \quad (\text{mA}) \quad (\text{EQ. 2})$$

Where  $R_{\text{ISET}}$  is in kΩ.

The ISET pin voltage also monitors the actual charge current during the entire charge cycle, including the trickle, constant-current, and constant-voltage phases. However, when the dropout voltage is reached, the ISET pin voltage will no longer follow the output current due to fact that the output current is no longer controlled by the IC. When disabled,  $V_{\text{ISET}} = 0\text{V}$

### ACFLT (Pin 9)

Open-drain indication pin which turns off when the adapter plugged in does not have sufficient current rating and the resulting input voltage is dropped to below 4.4V. This pin is capable to sink 20mA minimum current to drive an LED. The open drain indication also turns off when an input OVP condition ( $V_{\text{IN}} > 6\text{V}$ ) is encountered.

### EN (Pin 10)

IC enable input. Drive this pin to logic LO or leave it floating to enable the charger. Drive this pin to logic HI to disable the charger. There is a 600k pull-down resistor between the  $\overline{\text{EN}}$  pin to GND.

### PG (Pin 14)

The PG pin will be connected to VIN through an internal P-Channel MOSFET when VIN is within the power good window. Otherwise the PG pin is in a high impedance (floating) state. When VIN is within the power good window, the PG pin can source 20mA output current for the down stream circuit. It is recommended that a 2.2µF ceramic capacitor be connected at the PG pin to absorb any transient voltage due to the delay turning off the PMOS under a fast OVP condition.

### TS (Pin 15)

Input for an external NTC thermistor for temperature monitoring. A 5µA internal current source is provided at this pin and the pin voltage is monitored and compared with the set thresholds to provide over temperature protection.

### TIMER (Pin 12)

The TIMER pin sets the oscillation period by connecting a timing capacitor between this pin and GND. The oscillator also provides a time reference for the charger. The timer function can be disabled by connecting the TIMER pin to GND. If the timer is disabled, there will be no timeout function for any operation mode including trickle charge and fast charge modes.

**VOUT (Pins 16, 17)**

Charger output pin. Connect this pin to the battery. A 1 $\mu$ F or larger X5R ceramic capacitor is recommended for decoupling and stability purposes.

**GND (Pin 11)**

System ground connection

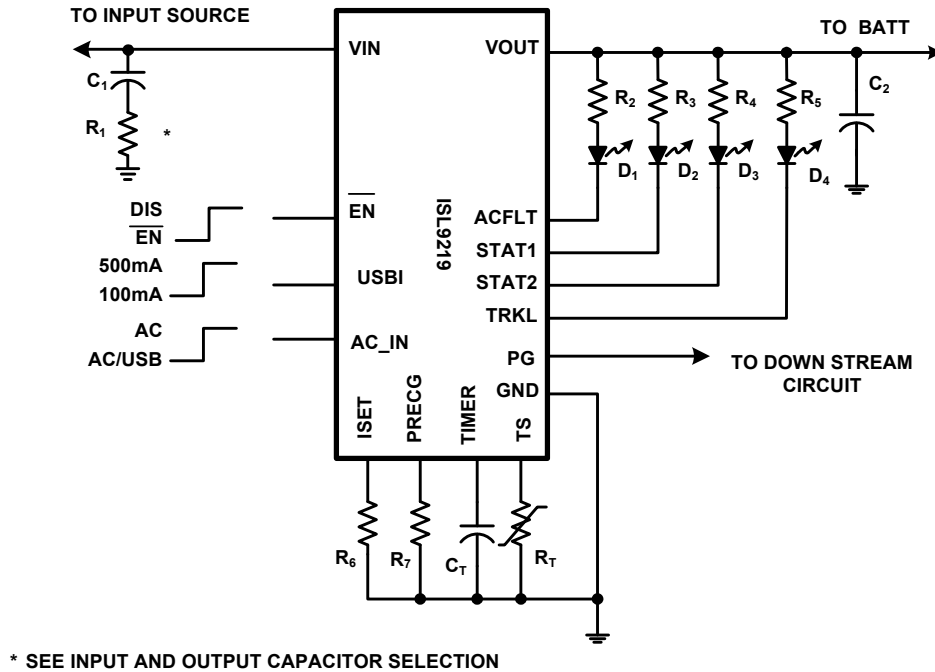
**NC (Pins 13, 18, 19)**

No connect

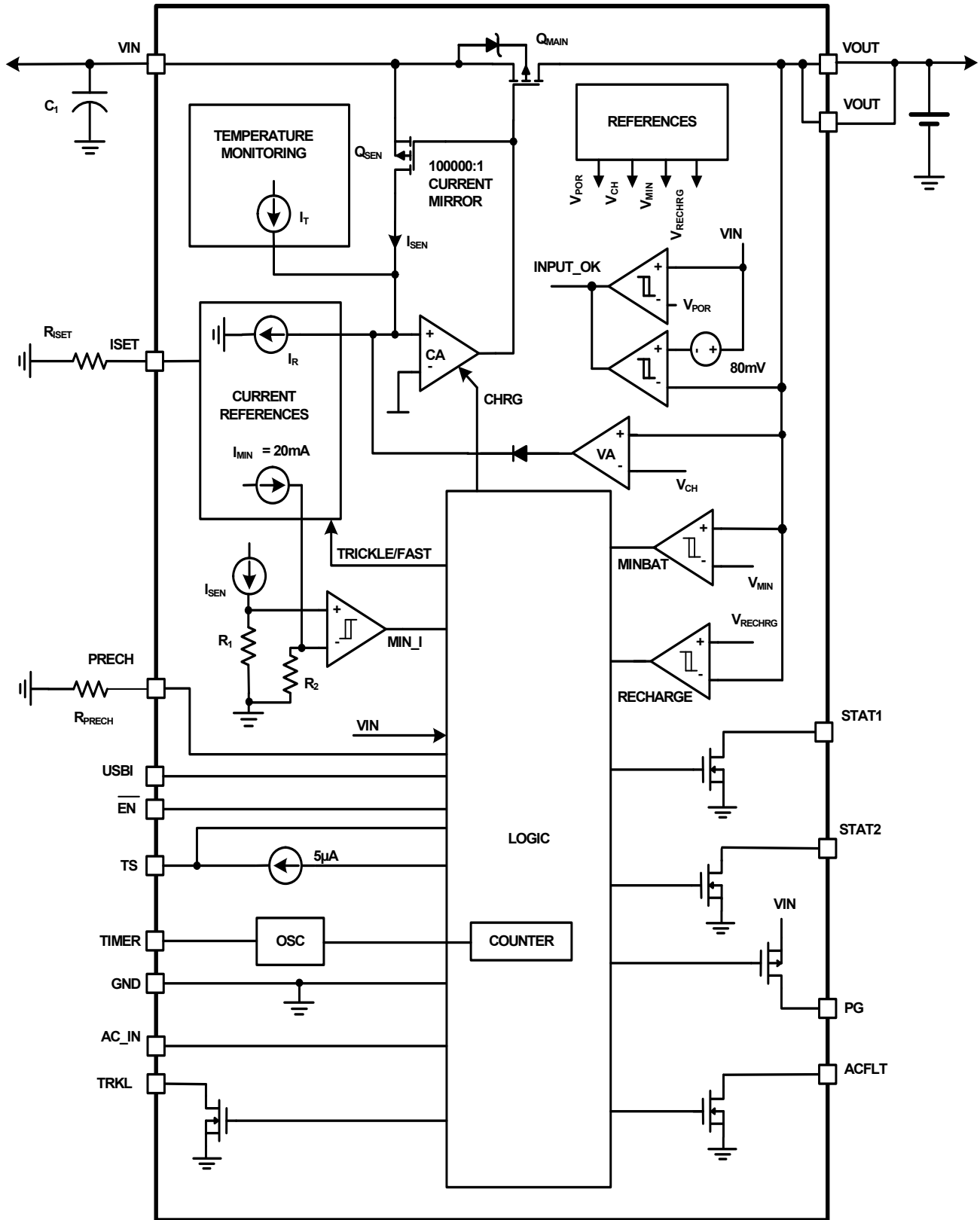
**EPAD**

Exposed pad. Connect to GND electrically. Thermally, connect as much as possible copper to this pad either on the component layer or other layers through thermal vias to enhance the thermal performance.

**Typical Application**



**Block Diagram**



## Theory of Operation

The ISL9219 is an integrated charger for single-cell Li-ion or Li-polymer batteries. The ISL9219 functions as a traditional linear charger when powered with a voltage-source adapter. When powered with a current-limited adapter, the charger minimizes the thermal dissipation commonly seen in traditional linear chargers.

As a linear charger, the ISL9219 charges a battery in the popular constant current (CC) and constant voltage (CV) profile. The constant charge current  $I_{SET}$  is programmable up to 1A with an external resistor. The charge voltage  $V_{CH}$  has 0.7% accuracy over the entire recommended operating condition range. The charger always preconditions the battery with a 85mA constant current at the beginning of a charge cycle, until the battery voltage is verified to be above the minimum fast charge voltage,  $V_{MIN}$ . This low-current preconditioning charge mode is named trickle mode. A thermal-foldback feature removes the thermal concern typically seen in linear chargers. The charger reduces the charge current automatically as the IC internal temperature rises above +125°C to prevent further temperature rise. The thermal foldback feature guarantees safe operation when the printed circuit board (PCB) is space limited for adequate thermal dissipation.

### USB Compliant Current Setting

The ISL9219 is fully compliant with the USB electrical specification when a USB port is used as the input source. The input source type can be identified by the host controller. When the USB connector is plugged in, the host controller will identify the device during the enumeration process. The host controller will further identify whether the USB port is a high power port (500mA max current) or low power port (100mA max current). The host controller will then drive the AC\_IN and USB1 pins thru its GPIO pins, according to the identification results.

If USB compliance is not required, the AC\_IN pin can be hard wired to VOUT so that the fast charge current is always set by ISET pin.

Depending on the input source type, the charge current during the constant current phase is:

ISET: determined by RISET if input is an AC adapter

ISET = 430mA if input is a high power USB port

ISET = 85mA if input is a low power port

### Power-Good Range

The power-good range is defined by the following three conditions:

1.  $V_{IN} > V_{OVP}$
2.  $V_{IN} - V_{BAT} > V_{OS}$
3.  $V_{IN} < V_{OVP}$

where the VOS is the offset voltage for the input and output voltage comparator and the VOVP is the overvoltage protection threshold given in the “Electrical Specification” table on page 2. All  $V_{POR}$ ,  $V_{OS}$ , and  $V_{OVP}$  have hysteresis, as given in the Electrical Specification table. If the input voltage is not in the power-good range, the charger will not charge the battery. If the input voltage is within the power good range, the PG pin will be connected to VIN through an internal P-Channel MOSFET with a 20mA current capability. If the input voltage is not within the power-good range, the PG will be switched off from VIN and turned into a high impedance (floating) state. When an overvoltage condition occurs, the ISL9219 enters the suspended state.

### Timeout Function

The charger offers a safety timer for setting the maximum charge time (TIMEOUT) limit to prevent charging a dead battery for an extensively long time. The trickle mode is limited to 1/8 of TIMEOUT limit. The charger automatically re-charges the battery when the battery voltage drops below a recharge threshold.

### State Indication

Five indication pins, STAT1, STAT2, ACFLT, PG and TRKL are available from the charger to indicate the charge status and fault conditions. The STAT1 and STAT2 are configured to indicate various charging condition as given by the true table in Table 1:

TABLE 1. STAT1 AND STAT2 TRUE TABLE

STAT1	STAT2	CHARGING CONDITION
L	L	Charging
L	H	Charge Complete and during Re-Charge
H	L	Fault
H	H	Suspend

A fault status is triggered under one of these conditions:

1. The TS pin voltage is outside the preset temperature window
2. Timeout occurs before the EOC current has been reached

The ACFLT pin indicates a faulty AC adapter condition. It is an open drain output which turns off when there is an AC fault, otherwise stays on. An AC fault condition is defined as when VIN falls below VACFLT threshold (4.4V) or VIN goes above VOVP (6.0V).

The TRKL pin indicates that the operation is in trickle charge mode. It is an open drain output which turns on when the operation is in trickle mode, otherwise turns off.

The PG pin indicates that VIN is within the power-good range.

## Applications Information

### Power on Reset (POR)

The ISL9219 resets as the input voltage rises above the POR rising threshold. The internal oscillator starts to oscillate, the internal timer is reset, and the charger begins to charge the battery. The STAT pins, will indicate the operating condition according to Table 1.

The ISL9219 has a typical rising POR threshold of 3.6V and a falling POR threshold of 2.4V.

### Pre-Charge

If the battery voltage is below the pre-charge threshold, the ISL9219 charger delivers a small current to pre-charge the battery until the voltage reaches the fast charge threshold value. The pre-charge threshold is programmed by the resistor connected between the PRECH pin and GND. If the PRECH pin is left floating, a default value of 3.0V is used as the pre-charge voltage.

### Charge Cycle

A charge cycle consists of three charge modes: trickle mode, constant current (CC) mode, and constant voltage (CV) mode. The charge cycle always starts with the trickle mode until the battery voltage stays above  $V_{MIN}$  (3.0V typical). If the battery voltage stays below  $V_{MIN}$ , the charger stays in the trickle mode. The charger moves to the CC mode after the battery voltage is above  $V_{MIN}$ . As the battery-pack terminal voltage rises to the final charge voltage ( $V_{CH}$ ), the CV mode begins. Since the battery terminal voltage is regulated at the constant  $V_{CH}$  in the CV mode, the charge current is expected to decline as the cell voltage rises. After the charge current drops below  $I_{MIN}$ , which is fixed at 50mA for any input type, the ISL9219 indicates the end-of-charge (EOC) with STAT1 and STAT2. The charging actually does not terminate until the internal timer completes its length of TIMEOUT in order to bring the battery to its full capacity.

The following events initiate a new charge cycle:

- POR
- A new battery being inserted (detected by TS pin)
- Recovery from an battery over-temperature fault
- The  $\overline{EN}$  pin is toggled from HI to LO or from HI to floating

### Recharge

After a charge cycle completes at a timeout event, charging is prohibited until the recharge condition ( $V_{OUT} < V_{RECH}$ ) is met. Then the charging restarts with the timer reset to zero. The STAT1 and STAT2 indication however, is unchanged.

### Internal Oscillator

The internal oscillator establishes a timing reference. The oscillation period is programmable with an external timing capacitor,  $C_{TIME}$ , as shown in "Typical Application" on

page 5. The oscillator charges the timing capacitor to 1.5V and then discharges it to 0.5V in one period, both with 10 $\mu$ A current. The period  $t_{OSC}$  is shown in Equation 3:

$$t_{OSC} = 0.2 \cdot 10^6 \cdot C_{TIME} \quad (\text{seconds}) \quad (\text{EQ. 3})$$

A 1nF capacitor results in a 0.2ms oscillation period. The accuracy of the period is mainly dependent on the accuracy of the capacitance and the internal current source.

### Total Charge Time

The total charge time for the CC mode and CV mode is limited to a length of TIMEOUT. A 22-stage binary counter increments each oscillation period of the internal oscillator to set the TIMEOUT. The TIMEOUT can be calculated as Equation 4:

$$\text{TIMEOUT} = 2^{22} \cdot t_{OSC} = 14 \cdot \frac{C_{TIME}}{1\text{nF}} \quad (\text{minutes}) \quad (\text{EQ. 4})$$

A 1nF capacitor leads to 14 minutes of TIMEOUT. For example, a 15nF capacitor sets the TIMEOUT to be 3.5 hours. The charger has to reach the end-of-charge condition before the TIMEOUT, otherwise, a TIMEOUT fault is issued. The TIMEOUT fault latches up the charger. There are two ways to release such a latch-up: either to recycle the input power, or toggle the  $\overline{EN}$  pin to disable the charger and then re-enable it.

The trickle mode charge has a time limit of 1/8 TIMEOUT. If the battery voltage does not reach  $V_{MIN}$  within this limit, a TIMEOUT fault is issued and the charger latches up. Thus, the charger can stay in trickle mode for no more than 1/8 of TIMEOUT interval.

### Monitoring Output Current thru ISET Pin

In addition to programming the fast charge current, the ISET can be used to monitor the actual output current for the AC adapter input current setting. During the constant current phase, the ISET pin voltage is fixed at 2.4V. In this case, the output current can be calculated by using 2.4V divided by  $R_{ISET}$ . During the constant voltage phase, the output current can be calculated by using the pin voltage, divided by  $R_{ISET}$ . For USB input current setting,  $V_{ISET}$  can still be used to monitor the charge current but since  $V_{ISET}$  is not used for the close loop current regulation, to achieve a good accuracy, an one-point calibration is required.

### End-of-Charge (EOC) Current

The end-of-charge current  $I_{MIN}$  sets the level at which the charger starts to indicate the charge complete condition with the indication pins. The charger actually does not terminate charging until the end of the TIMEOUT interval, as described in "Total Charge Time" on page 8. The  $I_{MIN}$  is fixed at 50mA for all input types, i.e. for AC adapter, USB high power and USB low power.

### Charge Current Thermal Foldback

Overheating is always a major concern in a linear charger. The maximum power dissipation usually occurs at the beginning of a charge cycle when the battery voltage is at its minimum but the charge current is at its maximum. The charge current thermal foldback function in the ISL9219 eliminates the overheating problem.

The thermal foldback function has no impact on the charge current until the internal temperature reaches approximately +125°C; then charge current is reduced at a rate of 100mA/°C. For a charger with the constant charge current set at 1A, the charge current is reduced to zero when the internal temperature rises to +135°C.

### OVP Protection

The ISL9219 is capable for up to 28V at the input pin. However, reliability reason, the charger will stop charging should the input voltage exceed 6V. This feature prevents excessive heating generated by the high input voltages. If an OVP condition is encountered, the PG pin will turn to high impedance to indicate the OVP condition, the charger enters the suspend state and the ACFLT turns to high impedance. If VIN is within the power good range, the PG pin is connected to VIN pin internally to provide a 20mA supply current to the down stream circuit.

### NTC Thermistor

The ISL9219 provides a TS pin to monitor the battery temperature to ensure a safe charging temperature range. The temperature range is programmable with an external negative temperature coefficient (NTC) thermistor. The TEMP pin is also used to detect the removal of the battery.

The ISL9219 uses two comparators (CP2 and CP3) to form a window comparator, as shown in Figure 2. When the TS pin voltage is "out of the window," determined by the  $V_{TMIN}$  and  $V_{TMAX}$ , the ISL9219 stops charging and indicates a fault condition. When the temperature returns to the set range, the charger re-starts a charge cycle. The two MOSFETs, Q1 and Q2, produce hysteresis for both upper and lower thresholds. The temperature window is shown in Figure 1 for a 0°C to +50°C typical application using a Mitsubishi type TH11-4H104F thermistor.

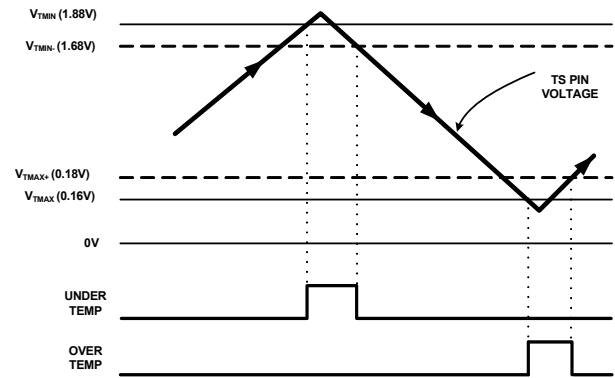


FIGURE 1. THRESHOLD VOLTAGES FOR 0°C to +50°C WINDOW

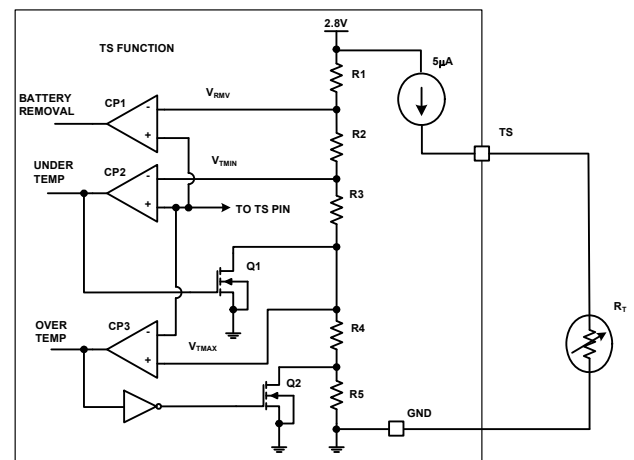


FIGURE 2. INTERNAL CIRCUIT FOR NTC INTERFACE

### Battery Removal Detection

The ISL9219 assumes that the thermistor is co-packed with the battery and is removed together with the battery. When the charger senses a TS pin voltage that is 2.25V or higher, it assumes that the battery is removed. The battery removal detection circuit is also shown in Figure 2. When a battery is removed, the ISL9219 enters the suspend state and the charging is halted. When a battery is inserted again, a new charge cycle starts.

### Shutdown and Suspend State

The ISL9219 can be orderly shutdown by one of these conditions:

1.  $\overline{EN}$  pin is pulled to logic HI
2. The battery has been removed from the charger. The battery removal condition can be detected by the TS pin (see "Battery Removal Detection" on page 9).

When shut down, the charger stays in the suspend state and draws typically less than 300µA current from the input power.

Under an OVP condition, the charger also enters the suspend state.

### **Input and Output Capacitor Selection**

A 0.47 $\mu$ F or higher value ceramic capacitor for the input is recommended. Due to the inductance of the power leads of the wall adapter or USB source, the input capacitor type must be properly selected to prevent high voltage transient during a hot-plug event. A tantalum capacitor is a good choice for its high ESR, providing damping to the voltage transient. Multi-layer ceramic capacitors, however, have a very low ESR and hence when chosen as input capacitors, a 1 $\Omega$  series resistor is recommended, as shown in the "Typical Application" schematic on page 5, to provide adequate damping.

When the battery is attached to the charger, the output capacitor can be any ceramic type with the value higher than 0.1 $\mu$ F. However, if there is a chance the charger will be used as an LDO linear regulator, a 10 $\mu$ F tantalum capacitor is recommended.

### **Board Layout Recommendations**

The ISL9219 internal thermal foldback function limits the charge current when the internal temperature reaches approximately +125°C. In order to maximize the current capability, it is very important that the exposed pad under the package is properly soldered to the board and is connected to other layers through thermal vias. More thermal vias and more copper attached to the exposed pad usually result in better thermal performance. On the other hand, the number

of vias is limited by the size of the pad. The exposed pad is big enough for 5 vias.

### **State Diagram**

The state diagram is shown in Figure 3. There are a total of 5 states during a complete charging cycle: trickle charge, CC charge, CV charge, charge complete/recharge, fault and suspend. In the trickle mode, the ISL9219 charges the battery in a trickle current. If VOUT reaches VMIN before the trickle charge timeout interval, the operation will move to the CC mode. Before entering the CC mode, the input source is identified. The CC mode output current is set according to the input type as described in "USB Compliant Current Setting" on page 7. When the output voltage reaches the 4.2V final voltage, the operation will move to CV mode, where the battery is charged at a constant voltage. If the end-of-charge current is reached before the timeout interval is elapsed, the operation moves to charge complete state. The charger continues to charge the battery until a timeout condition is reached, then the charging will be terminated. After the termination, if the output voltage drops below the recharge threshold, a recharge starts and the timer is reset to zero. The STAT1 and STAT2 indications remain the same as the charge complete state.

In the event that the timeout condition is reached before EOC, the fault mode is entered. The fault mode can also be triggered by an OTP event. To exit the fault mode, the input power has to be removed and re-applied, or the EN pin is toggled to HI and back to LO, then a new cycle starts.

© Copyright Intersil Americas LLC 2008-2010. All Rights Reserved.  
All trademarks and registered trademarks are the property of their respective owners.

For additional products, see [www.intersil.com/en/products.html](http://www.intersil.com/en/products.html)

Intersil products are manufactured, assembled and tested utilizing ISO9001 quality systems as noted in the quality certifications found at [www.intersil.com/en/support/qualandreliability.html](http://www.intersil.com/en/support/qualandreliability.html)

*Intersil products are sold by description only. Intersil may modify the circuit design and/or specifications of products at any time without notice, provided that such modification does not, in Intersil's sole judgment, affect the form, fit or function of the product. Accordingly, the reader is cautioned to verify that datasheets are current before placing orders. Information furnished by Intersil is believed to be accurate and reliable. However, no responsibility is assumed by Intersil or its subsidiaries for its use; nor for any infringements of patents or other rights of third parties which may result from its use. No license is granted by implication or otherwise under any patent or patent rights of Intersil or its subsidiaries.*

For information regarding Intersil Corporation and its products, see [www.intersil.com](http://www.intersil.com)

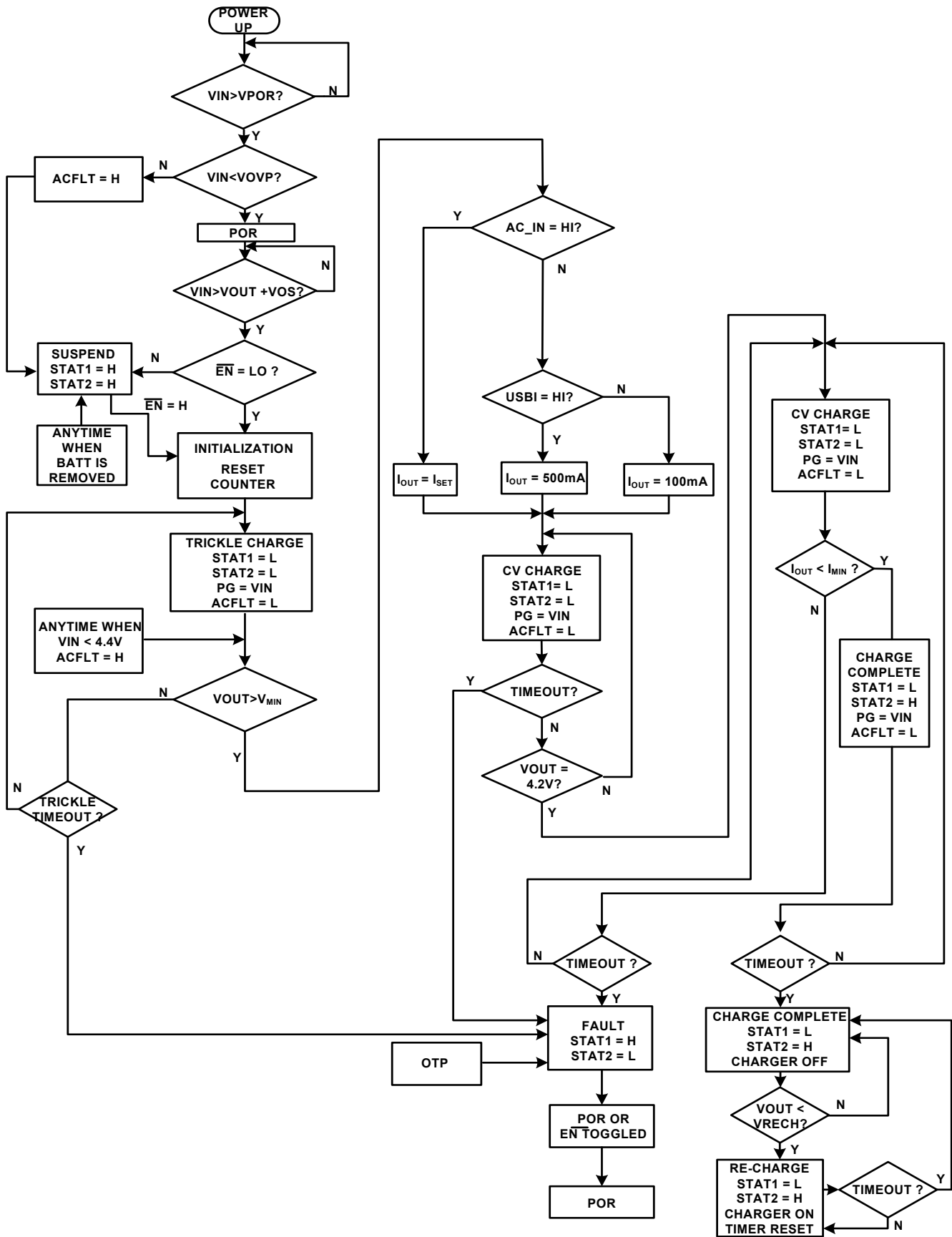


FIGURE 3. STATE DIAGRAM



## Looking for pricing, stock, or lifecycle information?

Click below to explore more details on WIN SOURCE:

 [View ISL9219IRZ-T on WIN SOURCE](#)

 [Intersil Information](#)

## Optimize Your Supply Chain with WIN SOURCE Solutions

-  Global Sourcing Solution
-  Obsolete Management
-  Cost Control Management
-  Shortage Management
-  Alternative Solution
-  Excess Inventory Management