



**THE DATASHEET OF  
ISL84544IHZ-T**



## ISL84541, ISL84542, ISL84543, ISL84544

Low-Voltage, Single Supply, Dual SPST, SPDT Analog Switches

FN6016  
Rev 7.00  
August 19, 2015

The Intersil ISL84541–ISL84544 devices are precision, dual analog switches designed to operate from a single +2.7V to +12V supply. Targeted applications include battery powered equipment that benefit from the devices' low power consumption (5μW), low leakage currents (100pA max), and fast switching speeds ( $t_{ON} = 35ns$ ,  $t_{OFF} = 25ns$ ). Cell phones, for example, often face ASIC functionality limitations. The number of analog input or GPIO pins may be limited and digital geometries are not well suited to analog switch performance. This family of parts may be used to “mux-in” additional functionality while reducing ASIC design risk. Some of the smallest packages are available alleviating board space limitations, and making Intersil's newest line of low-voltage switches an ideal solution.

The ISL84541/ISL84542/ISL84543 are dual single-pole/single-throw (SPST) devices. The ISL84541 has two normally open (NO) switches; the ISL84542 has two normally closed (NC) switches; the ISL84543 has one NO and one NC switch and can be used as an SPDT. The ISL84544 is a committed SPDT, which is perfect for use in 2-to-1 multiplexer applications.

Table 1 summarizes the performance of this family. For higher performance, pin compatible versions, see the ISL43120 - 22 and ISL43210 datasheet.

**TABLE 1. FEATURES AT A GLANCE**

|   | ISL84541  | ISL84542                                | ISL84543                                | ISL84544                                |
|---|---|---|---|---|
| <b>NUMBER OF SWITCHES</b>                 | 2   | 2                                       | 2                                       | 1                                       |
| <b>SW 1 / SW 2</b>                        | NO / NO   | NC / NC                                 | NO / NC                                 | SPDT                                    |
| <b>3.3V <math>R_{ON}</math></b>           | 50Ω   | 50Ω                                     | 50Ω                                     | 50Ω                                     |
| <b>3.3V <math>t_{ON} / t_{OFF}</math></b> | 50 / 20ns   | 50 / 20ns                               | 50 / 20ns                               | 50 / 20ns                               |
| <b>5V <math>R_{ON}</math></b>             | 30Ω   | 30Ω                                     | 30Ω                                     | 30Ω                                     |
| <b>5V <math>t_{ON} / t_{OFF}</math></b>   | 35 / 25ns   | 35 / 25ns                               | 35 / 25ns                               | 35 / 25ns                               |
| <b>PACKAGES</b>                           | 8 Ld PDIP,<br>8 Ld SOIC,<br>8 Ld SOT-23,<br>8 Ld MSOP | 8 Ld PDIP,<br>8 Ld SOIC,<br>8 Ld SOT-23 | 8 Ld PDIP,<br>8 Ld SOIC,<br>8 Ld SOT-23 | 8 Ld PDIP,<br>8 Ld SOIC,<br>6 Ld SOT-23 |

### Related Literature

Technical Brief TB363 “Guidelines for Handling and Processing Moisture Sensitive Surface Mount Devices (SMDs)”

### Features

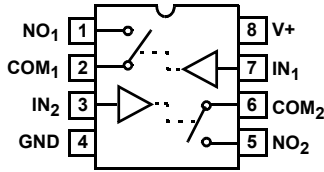
- Pb-free Available as an Option
- Drop-in Replacements for MAX4541 - MAX4544, DG9461, DG9262 - DG9263
- Fully Specified at 3.3V and 5V Supplies
- Pin Compatible with MAX323 - MAX325
- ON Resistance ( $R_{ON}$ ) ..... 30Ω
- $R_{ON}$  Matching Between Channels.....<1Ω
- Low Charge Injection ..... 5pC (Max)
- Single Supply Operation..... +2.7V to +12V
- Low Power Consumption ( $P_D$ ).....<5μW
- Low Leakage Current (Max at 85°C) ..... 10nA
- Fast Switching Action
  - $t_{ON}$  ..... 35ns
  - $t_{OFF}$  ..... 25ns
- Guaranteed Break-Before-Make (ISL84543/ISL84544 only)
- Minimum 2000V ESD Protection per Method 3015.7
- TTL, CMOS Compatible
- Available in SOT-23 Packaging

### Applications

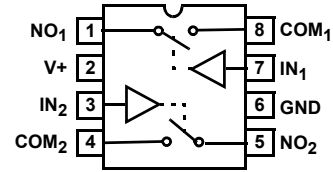
- Battery Powered, Handheld, and Portable Equipment
  - Cellular/Mobile Phones
  - Pagers
  - Laptops, Notebooks, Palmtops
- Communications Systems
  - Military Radios
  - PBX, PABX
- Test Equipment
  - Ultrasound
  - Electrocardiograph
- Heads-Up Displays
- Audio and Video Switching
- Various Circuits
  - +3V/+5V DACs and ADCs
  - Sample and Hold Circuits
  - Digital Filters
  - Operational Amplifier Gain Switching Networks
  - High Frequency Analog Switching
  - High Speed Multiplexing
  - Integrator Reset Circuits

**Pinouts** (Note 1)

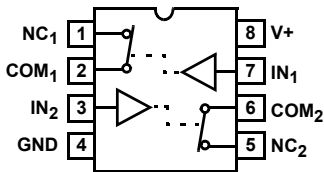
**ISL84541 (PDIP, SOIC)**  
TOP VIEW



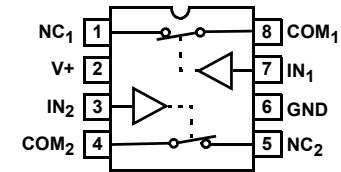
**ISL84541 (SOT-23)**  
TOP VIEW



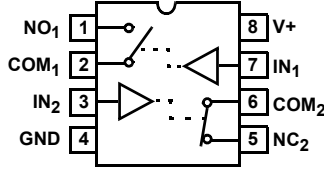
**ISL84542 (PDIP, SOIC)**  
TOP VIEW



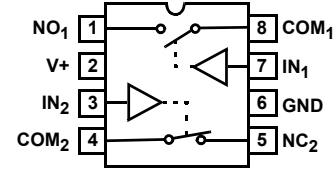
**ISL84542 (SOT-23)**  
TOP VIEW



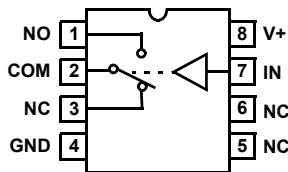
**ISL84543 (PDIP, SOIC)**  
TOP VIEW



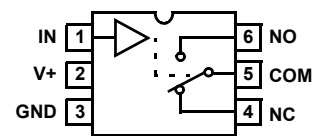
**ISL84543 (SOT-23)**  
TOP VIEW



**ISL84544 (PDIP, SOIC)**  
TOP VIEW



**ISL84544 (SOT-23)**  
TOP VIEW



**NOTE:**

1. Switches Shown for Logic "0" Input.

**Truth Table**

| LOGIC | ISL84541 | ISL84542 | ISL84543 |      | ISL84544 |        |
|-------|----------|----------|----------|------|----------|--------|
|       | SW 1, 2  | SW 1, 2  | SW 1     | SW 2 | PIN NC   | PIN NO |
| 0     | OFF      | ON       | OFF      | ON   | ON       | OFF    |
| 1     | ON       | OFF      | ON       | OFF  | OFF      | ON     |

NOTE: Logic "0" ≤ 0.8V. Logic "1" ≥ 2.4V.

**Pin Descriptions**

| PIN  | FUNCTION                                  |
|------|---|
| V+   | System Power Supply Input (+2.7V to +12V) |
| GND  | Ground Connection                         |
| IN   | Digital Control Input                     |
| COM  | Analog Switch Common Pin                  |
| NO   | Analog Switch Normally Open Pin           |
| NC   | Analog Switch Normally Closed Pin         |
| N.C. | No Internal Connection                    |

### Ordering Information

| PART NO.<br>(BRAND)   | TEMP.<br>RANGE (°C)     | PACKAGE<br>(RoHS<br>Compliant) | PKG.<br>DWG. # |
|---|-------------------------|--------------------------------|----------------|
| ISL84541CPZ<br>(Note 2) <b>(No longer available, recommended replacement: ISL84541CBZ-T)</b>          | 0 to 70                 | 8 Ld PDIP                      | E8.3           |
| ISL84541CBZ<br>(Note 2)   | 0 to 70                 | 8 Ld SOIC                      | M8.15          |
| ISL84541CBZ-T<br>(Note 2)   | 8 Ld SOIC Tape and Reel |                                | M8.15          |
| ISL84541IPZ<br>(Note 2) <b>(No longer available, recommended replacement: ISL84541CBZ-T)</b>          | -40 to 85               | 8 Ld PDIP                      | E8.3           |
| ISL84541IBZ<br>(Note 2)   | -40 to 85               | 8 Ld SOIC                      | M8.15          |
| ISL84541IBZ-T<br>(Note 2)   | 8 Ld SOIC Tape and Reel |                                | M8.15          |
| ISL84541IUZ<br>(5411) (Note 2) <b>(No longer available, recommended replacement: ISL84541CBZ-T)</b>   | -40 to 85               | 8 Ld MSOP                      | M8.118         |
| ISL84541IUZ-T<br>(5411) (Note 2) <b>(No longer available, recommended replacement: ISL84541CBZ-T)</b> | 8 Ld MSOP Tape and Reel |                                | M8.118         |
| ISL84542CPZ<br>(Note 2) <b>(No longer available, recommended replacement: ISL84541CBZ-T)</b>          | 0 to 70                 | 8 Ld PDIP                      | E8.3           |
| ISL84542CBZ<br>(Note 2) <b>(No longer available, recommended replacement: ISL84541CBZ-T)</b>          | 0 to 70                 | 8 Ld SOIC                      | M8.15          |
| ISL84542CBZ-T<br>(Note 2) <b>(No longer available, recommended replacement: ISL84541CBZ-T)</b>        | 8 Ld SOIC Tape and Reel |                                | M8.15          |
| ISL84542IPZ<br>(Note 2) <b>(No longer available, recommended replacement: ISL84541CBZ-T)</b>          | -40 to 85               | 8 Ld PDIP                      | E8.3           |

### Ordering Information

| PART NO.<br>(BRAND)   | TEMP.<br>RANGE (°C)       | PACKAGE<br>(RoHS<br>Compliant) | PKG.<br>DWG. # |
|---|---------------------------|--------------------------------|----------------|
| ISL84542IBZ<br>(Note 2) <b>(No longer available, recommended replacement: ISL84541CBZ-T)</b>          | -40 to 85                 | 8 Ld SOIC                      | M8.15          |
| ISL84542IBZ-T<br>(Note 2) <b>(No longer available, recommended replacement: ISL84541CBZ-T)</b>        | 8 Ld SOIC Tape and Reel   |                                | M8.15          |
| ISL84542IHZ-T<br>(5421) (Note 2) <b>(No longer available, recommended replacement: ISL84541CBZ-T)</b> | 8 Ld SOT-23 Tape and Reel |                                | P8.064         |
| ISL84543CPZ<br>(Note 2) <b>(No longer available, recommended replacement: ISL84544CBZ-T)</b>          | 0 to 70                   | 8 Ld PDIP                      | E8.3           |
| ISL84543CBZ<br>(Note 2) <b>(No longer available, recommended replacement: ISL84544CBZ-T)</b>          | 0 to 70                   | 8 Ld SOIC                      | M8.15          |
| ISL84543CBZ-T<br>(Note 2) <b>(No longer available, recommended replacement: ISL84544CBZ-T)</b>        | 8 Ld SOIC Tape and Reel   |                                | M8.15          |
| ISL84543IPZ<br>(Note 2) <b>(No longer available, recommended replacement: ISL84544CBZ-T)</b>          | -40 to 85                 | 8 Ld PDIP                      | E8.3           |
| ISL84543IBZ<br>(Note 2) <b>(No longer available, recommended replacement: ISL84544CBZ-T)</b>          | -40 to 85                 | 8 Ld SOIC                      | M8.15          |
| ISL84543IBZ-T<br>(Note 2) <b>(No longer available, recommended replacement: ISL84544CBZ-T)</b>        | 8 Ld SOIC Tape and Reel   |                                | M8.15          |

## Ordering Information

| PART NO.<br>(BRAND)   | TEMP.<br>RANGE (°C)       | PACKAGE<br>(RoHS<br>Compliant) | PKG.<br>DWG. # |
|---|---------------------------|--------------------------------|----------------|
| ISL84543IHZ-T<br>(543I) (Note 2) <b>(No longer available, recommended replacement: ISL84544CBZ-T)</b> | 8 Ld SOT-23 Tape and Reel |                                | P8.064         |
| ISL84544CPZ<br>(Note 2) <b>(No longer available, recommended replacement: ISL84544CBZ-T)</b>          | 0 to 70                   | 8 Ld PDIP                      | E8.3           |
| ISL84544CBZ<br>(Note 2)   | 0 to 70                   | 8 Ld SOIC                      | M8.15          |
| ISL84544CBZ-T<br>(Note 2)   | 8 Ld SOIC Tape and Reel   |                                | M8.15          |
| ISL84544IPZ<br>(Note 2) <b>(No longer available, recommended replacement: ISL84544CBZ-T)</b>          | -40 to 85                 | 8 Ld PDIP                      | E8.3           |
| ISL84544IBZ<br>(Note 2)   | -40 to 85                 | 8 Ld SOIC                      | M8.15          |
| ISL84544IBZ-T<br>(Note 2)   | 8 Ld SOIC Tape and Reel   |                                | M8.15          |
| ISL84544IHZ-T<br>(544I) (Note 2)  | 6 Ld SOT-23 Tape and Reel |                                | P6.064         |

## NOTE:

- Intersil Pb-free products employ special Pb-free material sets; molding compounds/die attach materials and 100% matte tin plate termination finish, which is compatible with both SnPb and Pb-free soldering operations. Intersil Pb-free products are MSL classified at Pb-free peak reflow temperatures that meet or exceed the Pb-free requirements of IPC/JEDEC J Std-020B.

**Absolute Maximum Ratings**

|  |                       |
|--|-----------------------|
| V+ to GND                                | -0.3 to 15V           |
| Input Voltages                           |                       |
| IN (Note 3)                              | -0.3 to ((V+) + 0.3V) |
| NO, NC (Note 3)                          | -0.3 to ((V+) + 0.3V) |
| Output Voltages                          |                       |
| COM (Note 3)                             | -0.3 to ((V+) + 0.3V) |
| Continuous Current (Any Terminal)        | 10mA                  |
| Peak Current, IN, NO, NC, or COM         |                       |
| (Pulsed 1ms, 10% Duty Cycle, Max)        | 20mA                  |
| ESD Rating (Per MIL-STD-883 Method 3015) | >2kV                  |

**Operating Conditions**

|                   |               |
|-------------------|---------------|
| Temperature Range |               |
| ISL8454XCX        | 0°C to 70°C   |
| ISL8454XIX        | -40°C to 85°C |

**Thermal Information**

|  |                      |
|--|----------------------|
| Thermal Resistance (Typical, Note 4)             | $\theta_{JA}$ (°C/W) |
| 6 Ld SOT-23 Package                              | 230                  |
| 8 Ld SOT-23 Package                              | 215                  |
| 8 Ld MSOP Package                                | 210                  |
| 8 LD SOIC Package                                | 170                  |
| 8 LD PDIP Package                                | 140                  |
| Maximum Junction Temperature (Plastic Package)   | 150°C                |
| Moisture Sensitivity (See Technical Brief TB363) |                      |
| All Other Packages                               | Level 1              |
| 8 Ld SOT-23 Package                              | Level 2              |
| Maximum Storage Temperature Range                | -65°C to 150°C       |
| Maximum Lead Temperature (Soldering 10s)         | 300°C                |
| (SOIC, MSOP and SOT-23 - Lead Tips Only)         |                      |

CAUTION: Stresses above those listed in "Absolute Maximum Ratings" may cause permanent damage to the device. This is a stress only rating and operation of the device at these or any other conditions above those indicated in the operational sections of this specification is not implied.

NOTES:

3. Signals on NC, NO, COM, or IN exceeding V+ or GND are clamped by internal diodes. Limit forward diode current to maximum current ratings.
4.  $\theta_{JA}$  is measured with the component mounted on a low effective thermal conductivity test board in free air. See Tech Brief TB379 for details.

**Electrical Specifications - 5V Supply**      Test Conditions: V+ = +4.5V to +5.5V, GND = 0V, V<sub>INH</sub> = 2.4V, V<sub>INL</sub> = 0.8V (Note 5), Unless Otherwise Specified

| PARAMETER  | TEST CONDITIONS   | TEMP (°C) | MIN (NOTE 6) | TYP  | MAX (NOTE 6) | UNITS |
|--|---|-----------|--------------|------|--------------|-------|
| <b>ANALOG SWITCH CHARACTERISTICS</b>                                       |   |           |              |      |              |       |
| Analog Signal Range, V <sub>ANALOG</sub>                                   |   | Full      | 0            | -    | V+           | V     |
| ON Resistance, R <sub>ON</sub>   | V+ = 4.5V, I <sub>COM</sub> = 1.0mA, V <sub>NO</sub> or V <sub>NC</sub> = 3.5V, See Figure 5                  | 25        | -            | 30   | 60           | Ω     |
|  |   | Full      | -            | -    | 75           | Ω     |
| R <sub>ON</sub> Matching Between Channels, ΔR <sub>ON</sub>                | V+ = 5V, I <sub>COM</sub> = 1.0mA, V <sub>NO</sub> or V <sub>NC</sub> = 3.5V                                  | 25        | -            | 0.8  | 2            | Ω     |
|  |   | Full      | -            | -    | 4            | Ω     |
| R <sub>ON</sub> Flatness, R <sub>FLAT(ON)</sub>                            | V+ = 5V, I <sub>COM</sub> = 1.0mA, V <sub>NO</sub> or V <sub>NC</sub> = 1V, 2V, 3V                            | Full      | -            | 7    | 8            | Ω     |
| NO or NC OFF Leakage Current, I <sub>NO(OFF)</sub> or I <sub>NC(OFF)</sub> | V+ = 5.5V, V <sub>COM</sub> = 1V, 4.5V, V <sub>NO</sub> or V <sub>NC</sub> = 4.5V, 1V, Note 7                 | 25        | -0.1         | 0.01 | 0.1          | nA    |
|  |   | Full      | -5           | -    | 5            | nA    |
| COM OFF Leakage Current, I <sub>COM(OFF)</sub>                             | V+ = 5.5V, V <sub>COM</sub> = 4.5V, 1V, V <sub>NO</sub> or V <sub>NC</sub> = 1V, 4.5V, Note 7                 | 25        | -0.1         | -    | 0.1          | nA    |
|  |   | Full      | -5           | -    | 5            | nA    |
| COM ON Leakage Current, I <sub>COM(ON)</sub>                               | V+ = 5.5V, V <sub>COM</sub> = 1V, 4.5V, or V <sub>NO</sub> or V <sub>NC</sub> = 1V, 4.5V, or Floating, Note 7 | 25        | -0.2         | -    | 0.2          | nA    |
|  |   | Full      | -10          | -    | 10           | nA    |

**Electrical Specifications - 5V Supply**

Test Conditions:  $V_+ = +4.5V$  to  $+5.5V$ ,  $GND = 0V$ ,  $V_{INH} = 2.4V$ ,  $V_{INL} = 0.8V$  (Note 5),  
Unless Otherwise Specified (**Continued**)

| PARAMETER  | TEST CONDITIONS   | TEMP (°C) | MIN (NOTE 6) | TYP    | MAX (NOTE 6) | UNITS   |
|--|---|-----------|--------------|--------|--------------|---------|
| <b>DYNAMIC CHARACTERISTICS</b>                           |   |           |              |        |              |         |
| Turn-ON Time, $t_{ON}$                                   | $V_{NO}$ or $V_{NC} = 3V$ , $R_L = 1k\Omega$ , $C_L = 35pF$ , $V_{IN} = 0$ to $3V$ , See Figure 1 | 25        | -            | 35     | 100          | ns      |
|  |   | Full      | -            | -      | 240          | ns      |
| Turn-OFF Time, $t_{OFF}$                                 | $V_{NO}$ or $V_{NC} = 3V$ , $R_L = 1k\Omega$ , $C_L = 35pF$ , $V_{IN} = 0$ to $3V$ , See Figure 1 | 25        | -            | 25     | 75           | ns      |
|  |   | Full      | -            | -      | 150          | ns      |
| Break-Before-Make Time Delay (ISL84543, ISL84544), $t_D$ | $R_L = 300\Omega$ , $C_L = 35pF$ , $V_{NO} = V_{NC} = 3V$ , $V_{IN} = 0$ to $3V$ , See Figure 3   | Full      | 2            | 10     | -            | ns      |
| Charge Injection, Q                                      | $C_L = 1.0nF$ , $V_G = 0V$ , $R_G = 0\Omega$ , See Figure 2                                       | 25        | -            | 1      | 5            | pC      |
| OFF Isolation  | $R_L = 50\Omega$ , $C_L = 5pF$ , $f = 1MHz$ , See Figure 4  | 25        | -            | 76     | -            | dB      |
| Crosstalk (Channel-to-Channel)                           | $R_L = 50\Omega$ , $C_L = 5pF$ , $f = 1MHz$ , See Figure 6  | 25        | -            | -90    | -            | dB      |
| NO or NC OFF Capacitance, $C_{OFF}$                      | $f = 1MHz$ , $V_{NO}$ or $V_{NC} = V_{COM} = 0V$ , See Figure 7                                   | 25        | -            | 8      | -            | pF      |
| COM OFF Capacitance, $C_{COM(OFF)}$                      | $f = 1MHz$ , $V_{NO}$ or $V_{NC} = V_{COM} = 0V$ , See Figure 7                                   | 25        | -            | 8      | -            | pF      |
| COM ON Capacitance, $C_{COM(ON)}$                        | $f = 1MHz$ , $V_{NO}$ or $V_{NC} = V_{COM} = 0V$ , See Figure 7, ISL84541/2/3                     | 25        | -            | 13     | -            | pF      |
|  | $f = 1MHz$ , $V_{NO}$ or $V_{NC} = V_{COM} = 0V$ , See Figure 7, ISL84544                         | 25        | -            | 20     | -            | pF      |
| <b>POWER SUPPLY CHARACTERISTICS</b>                      |   |           |              |        |              |         |
| Power Supply Range                                       |   | Full      | 2.7          |        | 12           | V       |
| Positive Supply Current, $I_+$                           | $V_+ = 5.5V$ , $V_{IN} = 0V$ or $V_+$ , all channels on or off                                    | Full      | -1           | 0.0001 | 1            | $\mu A$ |
| <b>DIGITAL INPUT CHARACTERISTICS</b>                     |   |           |              |        |              |         |
| Input Voltage Low, $V_{INL}$                             |   | Full      | -            | -      | 0.8          | V       |
| Input Voltage High, $V_{INH}$                            |   | Full      | 2.4          | -      | -            | V       |

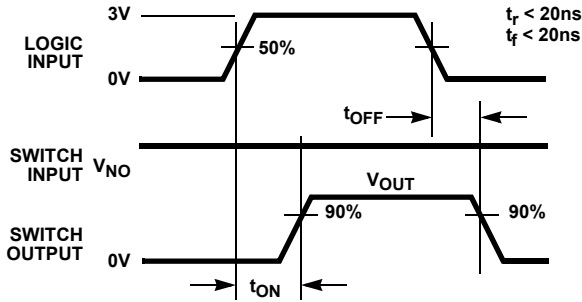
## NOTES:

- $V_{IN}$  = input voltage to perform proper function.
- The algebraic convention, whereby the most negative value is a minimum and the most positive a maximum, is used in this data sheet.
- Leakage parameter is 100% tested at high temp, and guaranteed by correlation at 25°C.

**Electrical Specifications - 3.3V Supply**Test Conditions:  $V_+ = +3.0V$  to  $+3.6V$ ,  $GND = 0V$ ,  $V_{INH} = 2.4V$ ,  $V_{INL} = 0.8V$  (Note 5), Unless Otherwise Specified

| PARAMETER  | TEST CONDITIONS  | TEMP (°C) | MIN (NOTE 6) | TYP  | MAX (NOTE 6) | UNITS    |
|--|--|-----------|--------------|------|--------------|----------|
| <b>ANALOG SWITCH CHARACTERISTICS</b>                         |  |           |              |      |              |          |
| Analog Signal Range, $V_{ANALOG}$                            |  | Full      | 0            | -    | $V_+$        | V        |
| ON Resistance, $R_{ON}$                                      | $V_+ = 3V$ , $I_{COM} = 1.0mA$ , $V_{NO}$ or $V_{NC} = 1.5V$                                     | 25        | -            | 50   | 80           | $\Omega$ |
|  |  | Full      | -            | -    | 140          | $\Omega$ |
| $R_{ON}$ Matching Between Channels, $\Delta R_{ON}$          | $V_+ = 3.3V$ , $I_{COM} = 1.0mA$ , $V_{NO}$ or $V_{NC} = 1.5V$                                   | 25        | -            | 0.8  | 2            | $\Omega$ |
|  |  | Full      | -            | -    | 4            | $\Omega$ |
| $R_{ON}$ Flatness, $R_{FLAT(ON)}$                            | $V_+ = 3.3V$ , $I_{COM} = 1.0mA$ , $V_{NO}$ or $V_{NC} = 0.5V$ , $1V$ , $1.5V$                   | 25        | -            | 6    | 10           | $\Omega$ |
|  |  | Full      | -            | 7    | 12           | $\Omega$ |
| NO or NC OFF Leakage Current, $I_{NO(OFF)}$ or $I_{NC(OFF)}$ | $V_+ = 3.6V$ , $V_{COM} = 1V$ , $3V$ , $V_{NO}$ or $V_{NC} = 3V$ , $1V$ , Note 7                 | 25        | -0.1         | 0.01 | 0.1          | nA       |
|  |  | Full      | -5           | -    | 5            | nA       |
| COM OFF Leakage Current, $I_{COM(OFF)}$                      | $V_+ = 3.6V$ , $V_{COM} = 3V$ , $1V$ , $V_{NO}$ or $V_{NC} = 1V$ , $3V$ , Note 7                 | 25        | -0.1         | 0.01 | 0.1          | nA       |
|  |  | Full      | -5           | -    | 5            | nA       |
| COM ON Leakage Current, $I_{COM(ON)}$                        | $V_+ = 3.6V$ , $V_{COM} = 1V$ , $3V$ , or $V_{NO}$ or $V_{NC} = 1V$ , $3V$ , or floating, Note 7 | 25        | -0.2         | -    | 0.2          | nA       |
|  |  | Full      | -10          | -    | 10           | nA       |
| <b>DYNAMIC CHARACTERISTICS</b>                               |  |           |              |      |              |          |
| Turn-ON Time, $t_{ON}$                                       | $V_{NO}$ or $V_{NC} = 1.5V$ , $R_L = 1k\Omega$ , $C_L = 35pF$ , $V_{IN} = 0$ to $3V$             | 25        | -            | 50   | 120          | ns       |
|  |  | Full      | -            | -    | 200          | ns       |
| Turn-OFF Time, $t_{OFF}$                                     | $V_{NO}$ or $V_{NC} = 1.5V$ , $R_L = 1k\Omega$ , $C_L = 35pF$ , $V_{IN} = 0$ to $3V$             | 25        | -            | 20   | 50           | ns       |
|  |  | Full      | -            | -    | 120          | ns       |
| Break-Before-Make Time Delay (ISL84543, ISL84544), $t_D$     | $R_L = 300\Omega$ , $C_L = 35pF$ , $V_{NO}$ or $V_{NC} = 1.5V$ , $V_{IN} = 0$ to $3V$            | Full      | 3            | 30   | -            | ns       |
| Charge Injection, Q  | $C_L = 1.0nF$ , $V_G = 0V$ , $R_G = 0\Omega$   | 25        | -            | 1    | 5            | pC       |
| OFF Isolation  | $R_L = 50\Omega$ , $C_L = 5pF$ , $f = 1MHz$  | 25        | -            | 76   | -            | dB       |
| Crosstalk (Channel-to-Channel)                               |  | 25        | -            | -90  | -            | dB       |
| NO or NC OFF Capacitance, $C_{OFF}$                          | $f = 1MHz$ , $V_{NO}$ or $V_{NC} = V_{COM} = 0V$   | 25        | -            | 8    | -            | pF       |
| COM OFF Capacitance, $C_{COM(OFF)}$                          | $f = 1MHz$ , $V_{NO}$ or $V_{NC} = V_{COM} = 0V$   | 25        | -            | 8    | -            | pF       |
| COM ON Capacitance, $C_{COM(ON)}$                            | $f = 1MHz$ , $V_{NO}$ or $V_{NC} = V_{COM} = 0V$ , ISL84541/2/3                                  | 25        | -            | 13   | -            | pF       |
|  | $f = 1MHz$ , $V_{NO}$ or $V_{NC} = V_{COM} = 0V$ , ISL84544                                      | 25        | -            | 20   | -            | pF       |
| <b>POWER SUPPLY CHARACTERISTICS</b>                          |  |           |              |      |              |          |
| Positive Supply Current, $I_+$                               | $V_+ = 3.6V$ , $V_{IN} = 0V$ or $V_+$ , all channels on or off                                   | Full      | -1           | -    | 1            | $\mu A$  |
| <b>DIGITAL INPUT CHARACTERISTICS</b>                         |  |           |              |      |              |          |
| Input Voltage Low, $V_{INL}$                                 |  | Full      | -            | -    | 0.8          | V        |
| Input Voltage High, $V_{INH}$                                |  | Full      | 2.4          | -    | -            | V        |
| Input Current, $I_{INH}$ , $I_{INL}$                         | $V_+ = 3.6V$ , $V_{IN} = 0V$ or $V_+$  | Full      | -1           | -    | 1            | $\mu A$  |

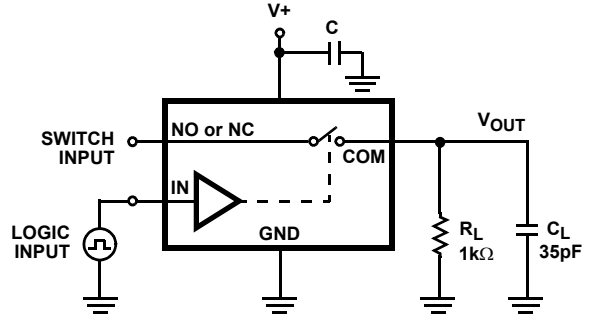
**Test Circuits and Waveforms**



Logic input waveform is inverted for switches that have the opposite logic sense.

FIGURE 1A. MEASUREMENT POINTS

FIGURE 1. SWITCHING TIMES



Repeat test for all switches.  $C_L$  includes fixture and stray capacitance.

$$V_{OUT} = V_{(NO \text{ or } NC)} \frac{R_L}{R_L + R_{(ON)}}$$

FIGURE 1B. TEST CIRCUIT

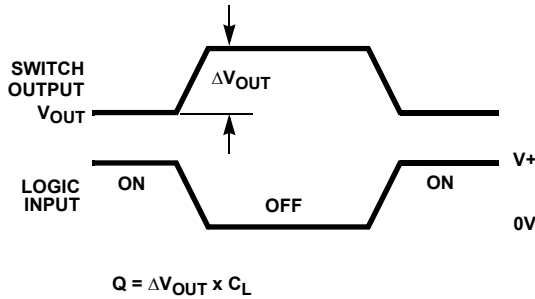


FIGURE 2A. MEASUREMENT POINTS

FIGURE 2. CHARGE INJECTION

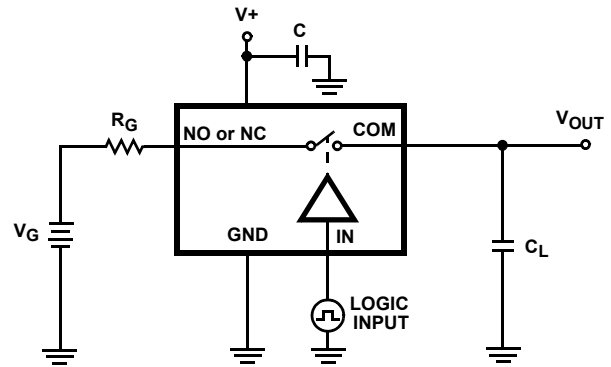


FIGURE 2B. TEST CIRCUIT

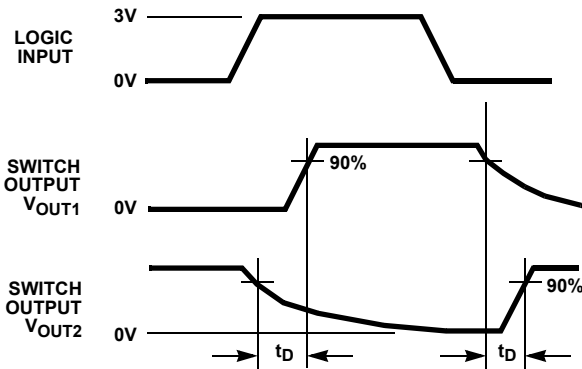
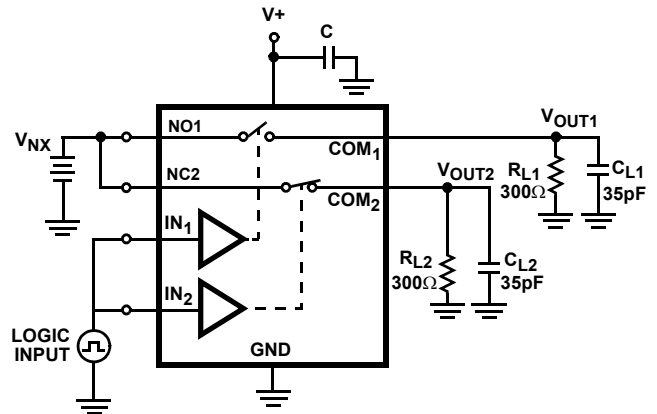


FIGURE 3A. MEASUREMENT POINTS (ISL84543 ONLY)



$C_L$  includes fixture and stray capacitance.

FIGURE 3B. TEST CIRCUIT (ISL84543 ONLY)

**Test Circuits and Waveforms** (Continued)

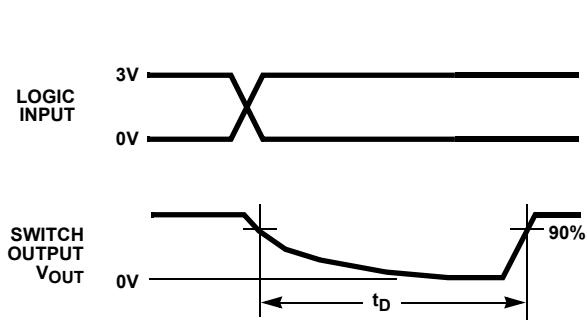


FIGURE 3C. MEASUREMENT POINTS (ISL84544 ONLY)

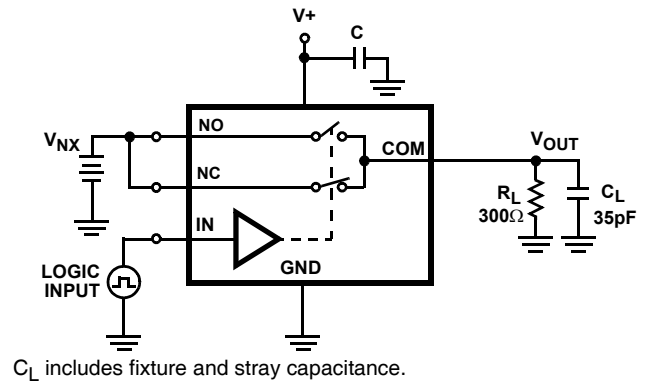


FIGURE 3D. TEST CIRCUIT (ISL84544 ONLY)

**FIGURE 3. BREAK-BEFORE-MAKE TIME**

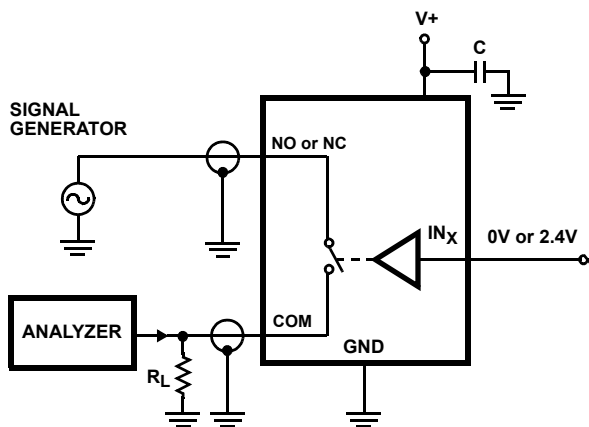


FIGURE 4. OFF ISOLATION TEST CIRCUIT

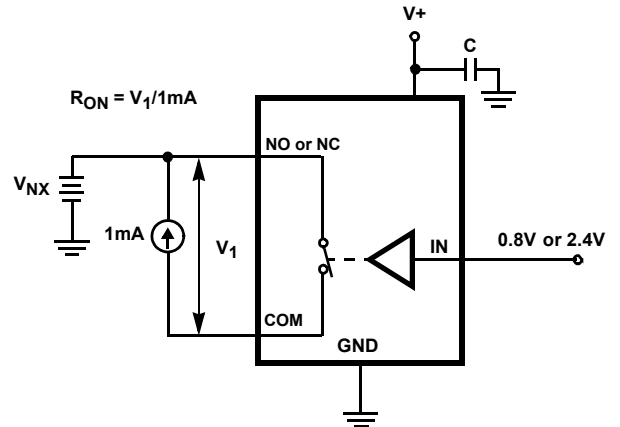


FIGURE 5.  $R_{ON}$  TEST CIRCUIT

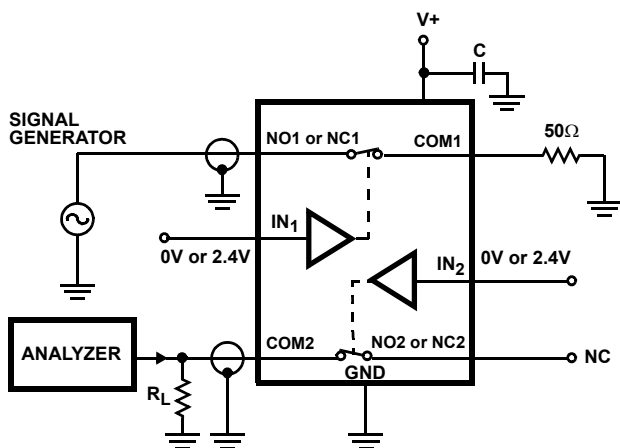


FIGURE 6. CROSSTALK TEST CIRCUIT

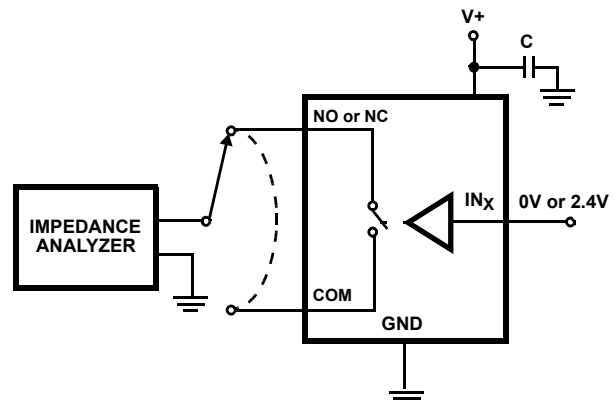


FIGURE 7. CAPACITANCE TEST CIRCUIT

## Detailed Description

The ISL84541–ISL84544 dual analog switches offer precise switching capability from a single 2.7V to 12V supply with low on-resistance ( $30\Omega$ ) and high speed operation ( $t_{ON} = 35\text{ns}$ ,  $t_{OFF} = 25\text{ns}$ ). The devices are especially well suited to portable battery powered equipment thanks to the low operating supply voltage (2.7V), low power consumption (5 $\mu\text{W}$ ), low leakage currents (100pA max), and the tiny SOT-23 packaging. High frequency applications also benefit from the wide bandwidth, and the very high off isolation and crosstalk rejection.

### Supply Sequencing And Overvoltage Protection

With any CMOS device, proper power supply sequencing is required to protect the device from excessive input currents which might permanently damage the IC. All I/O pins contain ESD protection diodes from the pin to V+ and to GND (see Figure 8). To prevent forward biasing these diodes, V+ must be applied before any input signals, and input signal voltages must remain between V+ and GND. If these conditions cannot be guaranteed, then one of the following two protection methods should be employed.

Logic inputs can easily be protected by adding a 1k $\Omega$  resistor in series with the input (see Figure 8). The resistor limits the input current below the threshold that produces permanent damage, and the sub-microamp input current produces an insignificant voltage drop during normal operation.

Adding a series resistor to the switch input defeats the purpose of using a low  $R_{ON}$  switch, so two small signal diodes can be added in series with the supply pins to provide overvoltage protection for all pins (see Figure 8). These additional diodes limit the analog signal from 1V below V+ to 1V above GND. The low leakage current performance is unaffected by this approach, but the switch resistance may increase, especially at low supply voltages.

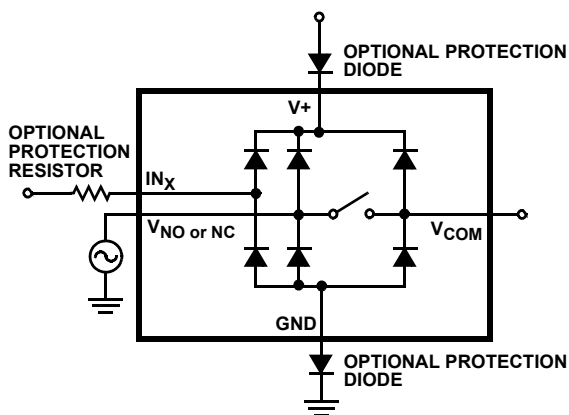


FIGURE 8. OVERVOLTAGE PROTECTION

### Power-Supply Considerations

The ISL8454X construction is typical of most CMOS analog switches, except that they have only two supply pins: V+ and GND. V+ and GND drive the internal CMOS switches and set their analog voltage limits. Unlike switches with a 13V maximum

supply voltage, the ISL8454X 15V maximum supply voltage provides plenty of room for the 10% tolerance of 12V supplies, as well as room for overshoot and noise spikes.

The minimum recommended supply voltage is 2.7V. It is important to note that the input signal range, switching times, and on-resistance degrade at lower supply voltages. Refer to the electrical specification tables and *Typical Performance* curves for details.

V+ and GND also power the internal logic and level shifters. The level shifters convert the logic levels to switched V+ and GND signals to drive the analog switch gate terminals.

This family of switches cannot be operated with bipolar supplies, because the input switching point becomes negative in this configuration.

### Logic-Level Thresholds

This switch family is TTL compatible (0.8V and 2.4V) over a supply range of 3V to 11V (see Figure 15). At 12V the  $V_{IH}$  level is about 2.5V. This is still below the TTL guaranteed high output minimum level of 2.8V, but noise margin is reduced. For best results with a 12V supply, use a logic family that provides a  $V_{OH}$  greater than 3V.

The digital input stages draw supply current whenever the digital input voltage is not at one of the supply rails. Driving the digital input signals from GND to V+ with a fast transition time minimizes power dissipation.

### High-Frequency Performance

In 50 $\Omega$  systems, signal response is reasonably flat even past 300MHz (see Figure 16). Figure 16 also illustrates that the frequency response is very consistent over a wide V+ range, and for varying analog signal levels.

An off switch acts like a capacitor and passes higher frequencies with less attenuation, resulting in signal feedthrough from a switch's input to its output. Off Isolation is the resistance to this feedthrough, while Crosstalk indicates the amount of feedthrough from one switch to another. Figure 17 details the high Off Isolation and Crosstalk rejection provided by this family. At 10MHz, off isolation is about 50dB in 50 $\Omega$  systems, decreasing approximately 20dB per decade as frequency increases. Higher load impedances decrease Off Isolation and Crosstalk rejection due to the voltage divider action of the switch OFF impedance and the load impedance.

### Leakage Considerations

Reverse ESD protection diodes are internally connected between each analog-signal pin and both V+ and GND. One of these diodes conducts if any analog signal exceeds V+ or GND.

Virtually all the analog leakage current comes from the ESD diodes to V+ or GND. Although the ESD diodes on a given signal pin are identical and therefore fairly well balanced, they are reverse biased differently. Each is biased by either V+ or GND and the analog signal. This means their leakages will

vary as the signal varies. The difference in the two diode leakages to the V+ and GND pins constitutes the analog-signal-path leakage current. All analog leakage current flows between each pin and one of the supply terminals, not to the other switch terminal. This is why both sides of a given switch can show leakage currents of the same or opposite polarity.

There is no connection between the analog-signal paths and V+ or GND.

**Typical Performance Curves**  $T_A = 25^\circ\text{C}$ , Unless Otherwise Specified

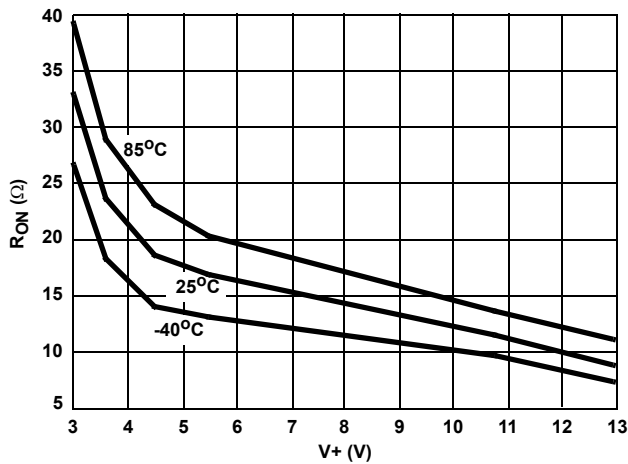


FIGURE 9. ON RESISTANCE vs SUPPLY VOLTAGE

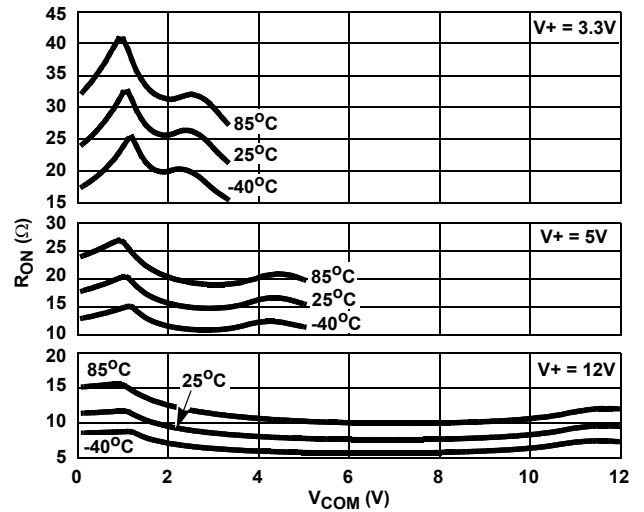


FIGURE 10. ON RESISTANCE vs SWITCH VOLTAGE

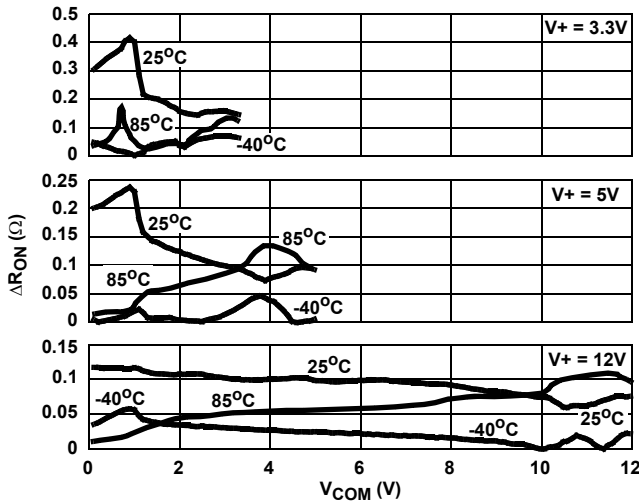


FIGURE 11.  $R_{ON}$  MATCH vs SWITCH VOLTAGE

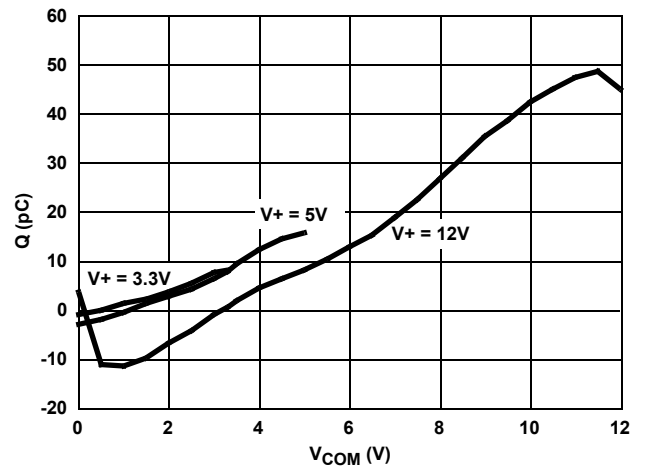


FIGURE 12. CHARGE INJECTION vs SWITCH VOLTAGE

**Typical Performance Curves**  $T_A = 25^\circ\text{C}$ , Unless Otherwise Specified (Continued)

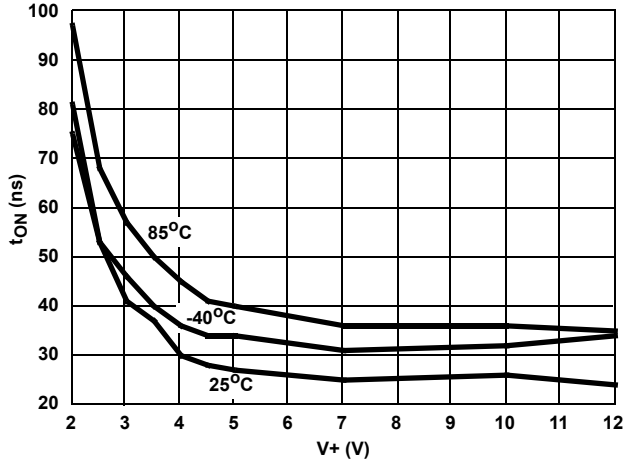


FIGURE 13. TURN - ON TIME vs SUPPLY VOLTAGE

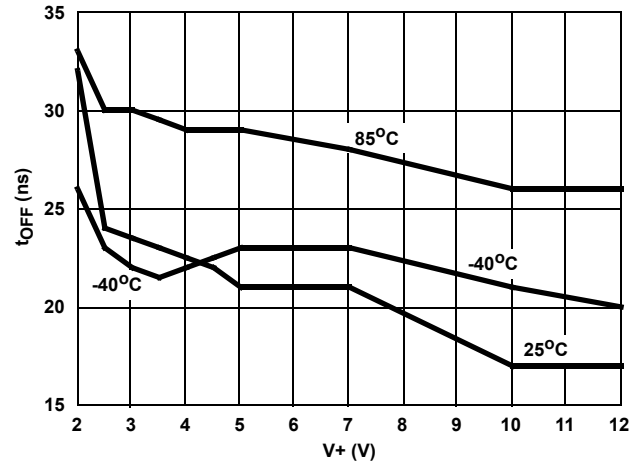


FIGURE 14. TURN - OFF TIME vs SUPPLY VOLTAGE

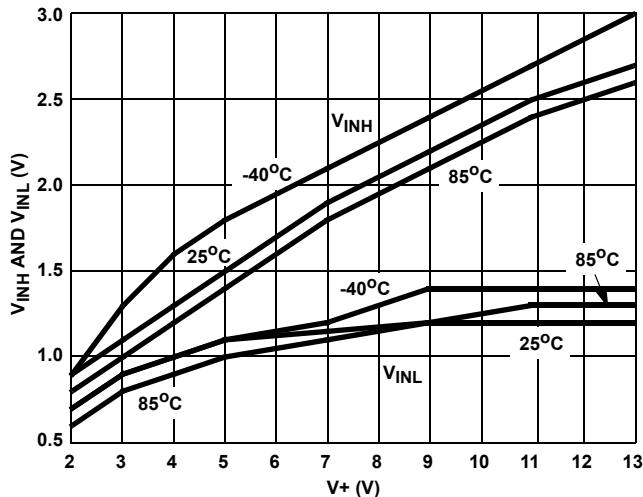


FIGURE 15. DIGITAL SWITCHING POINT vs SUPPLY VOLTAGE

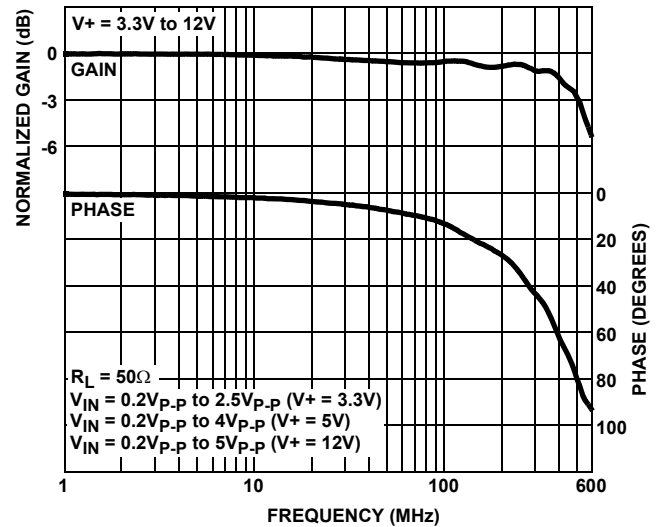


FIGURE 16. FREQUENCY RESPONSE

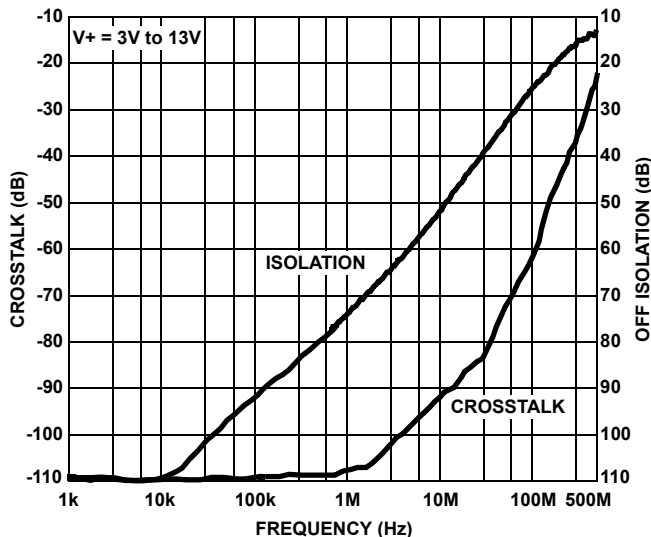


FIGURE 17. CROSSTALK AND OFF ISOLATION

**Die Characteristics**

**SUBSTRATE POTENTIAL (POWERED UP):**

GND

**TRANSISTOR COUNT:**

ISL84541: 66

ISL84542: 66

ISL84543: 66

ISL84544: 58

**PROCESS:**

Si Gate CMOS

## Revision History

The revision history provided is for informational purposes only and is believed to be accurate, but not warranted. Please go to the web to make sure that you have the latest revision.

| DATE            | REVISION | CHANGE   |
|-----------------|----------|--|
| August 19, 2015 | FN6016.7 | <ul style="list-style-type: none"> <li>- Ordering Information Table on page 3.</li> <li>- Added Revision History.</li> <li>- Added About Intersil Verbiage.</li> <li>*Updated POD M8.118 to most recent revision, changes are as follows:                             <ul style="list-style-type: none"> <li>-Revision 2 to Revision 3 Changes:                                     <ul style="list-style-type: none"> <li>Updated to new intersil format by adding land pattern and moving dimensions from table onto drawing</li> </ul> </li> <li>-Revision 3 to Revision 4 Changes:                                     <ul style="list-style-type: none"> <li>Corrected lead width dimension in side view 1 from "0.25 - 0.036" to "0.25 - 0.36"</li> </ul> </li> </ul> </li> <li>*Updated POD M8.15 to most current revision with changes as follows:                             <ul style="list-style-type: none"> <li>-Revision 0 to Revision 1 Changes:                                     <ul style="list-style-type: none"> <li>POD created from MCOL M8.15</li> </ul> </li> <li>-Revision 1 to Revision 2 Changes:                                     <ul style="list-style-type: none"> <li>Updated to new POD format by removing table and moving dimensions onto drawing and adding land pattern</li> </ul> </li> <li>-Revision 2 to Revision 3 Changes:                                     <ul style="list-style-type: none"> <li>Changed Note 1 "1982" to "1994"</li> <li>Changed in Typical Recommended Land Pattern the following:   <ul style="list-style-type: none"> <li>2.41(0.095) to 2.20(0.087)</li> <li>0.76 (0.030) to 0.60(0.023)</li> <li>0.200 to 5.20(0.205)</li> </ul> </li> </ul> </li> <li>-Revision 3 to Revision 4 Changes:                                     <ul style="list-style-type: none"> <li>Changed Note 1 "1982" to "1994"</li> </ul> </li> </ul> </li> <li>*Updated POD P6.064 to most current revision with changes as follows:                             <ul style="list-style-type: none"> <li>Updated to new format (same dimensions, added land pattern and moved dimensions from table onto drawing)</li> </ul> </li> </ul> |

## About Intersil

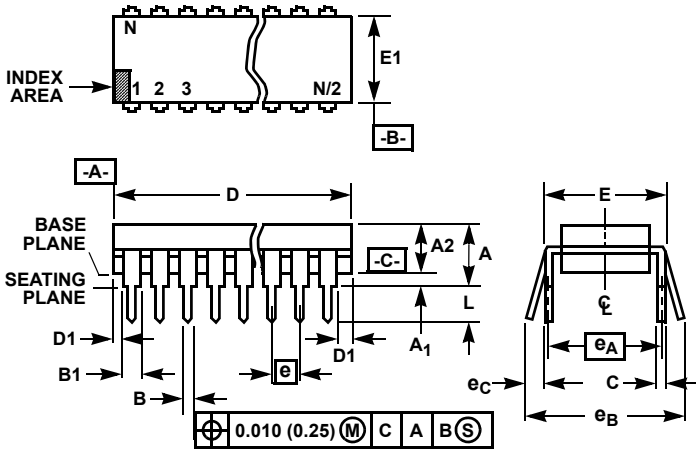
Intersil Corporation is a leading provider of innovative power management and precision analog solutions. The company's products address some of the largest markets within the industrial and infrastructure, mobile computing and high-end consumer markets.

For the most updated datasheet, application notes, related documentation and related parts, please see the respective product information page found at [www.intersil.com](http://www.intersil.com).

You may report errors or suggestions for improving this datasheet by visiting [www.intersil.com/ask](http://www.intersil.com/ask).

Reliability reports are also available from our website at [www.intersil.com/support](http://www.intersil.com/support)

**Dual-In-Line Plastic Packages (PDIP)**



**NOTES:**

1. Controlling Dimensions: INCH. In case of conflict between English and Metric dimensions, the inch dimensions control.
2. Dimensioning and tolerancing per ANSI Y14.5M-1982.
3. Symbols are defined in the "MO Series Symbol List" in Section 2.2 of Publication No. 95.
4. Dimensions A, A1 and L are measured with the package seated in JEDEC seating plane gauge GS-3.
5. D, D1, and E1 dimensions do not include mold flash or protrusions. Mold flash or protrusions shall not exceed 0.010 inch (0.25mm).
6. E and e<sub>A</sub> are measured with the leads constrained to be perpendicular to datum -C-.
7. e<sub>B</sub> and e<sub>C</sub> are measured at the lead tips with the leads unconstrained. e<sub>C</sub> must be zero or greater.
8. B1 maximum dimensions do not include dambar protrusions. Dambar protrusions shall not exceed 0.010 inch (0.25mm).
9. N is the maximum number of terminal positions.
10. Corner leads (1, N, N/2 and N/2 + 1) for E8.3, E16.3, E18.3, E28.3, E42.6 will have a B1 dimension of 0.030 - 0.045 inch (0.76 - 1.14mm).

**E8.3 (JEDEC MS-001-BA ISSUE D)  
8 LEAD DUAL-IN-LINE PLASTIC PACKAGE**

| SYMBOL         | INCHES    |       | MILLIMETERS |       | NOTES |
|----------------|-----------|-------|-------------|-------|-------|
|                | MIN       | MAX   | MIN         | MAX   |       |
| A              | -         | 0.210 | -           | 5.33  | 4     |
| A1             | 0.015     | -     | 0.39        | -     | 4     |
| A2             | 0.115     | 0.195 | 2.93        | 4.95  | -     |
| B              | 0.014     | 0.022 | 0.356       | 0.558 | -     |
| B1             | 0.045     | 0.070 | 1.15        | 1.77  | 8, 10 |
| C              | 0.008     | 0.014 | 0.204       | 0.355 | -     |
| D              | 0.355     | 0.400 | 9.01        | 10.16 | 5     |
| D1             | 0.005     | -     | 0.13        | -     | 5     |
| E              | 0.300     | 0.325 | 7.62        | 8.25  | 6     |
| E1             | 0.240     | 0.280 | 6.10        | 7.11  | 5     |
| e              | 0.100 BSC |       | 2.54 BSC    |       | -     |
| e <sub>A</sub> | 0.300 BSC |       | 7.62 BSC    |       | 6     |
| e <sub>B</sub> | -         | 0.430 | -           | 10.92 | 7     |
| L              | 0.115     | 0.150 | 2.93        | 3.81  | 4     |
| N              | 8         |       | 8           |       | 9     |

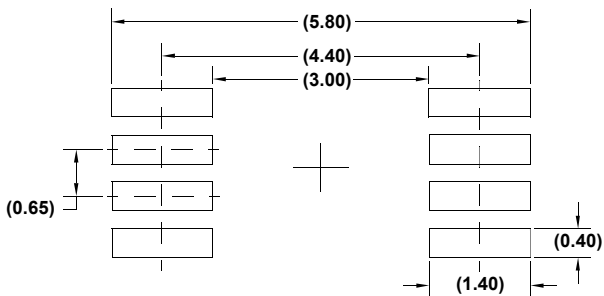
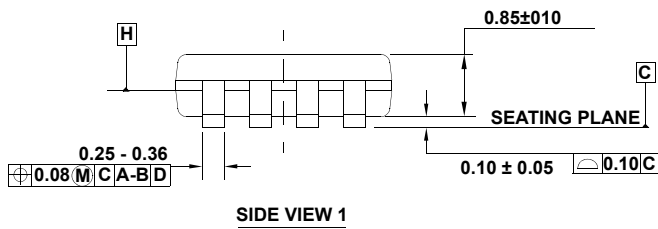
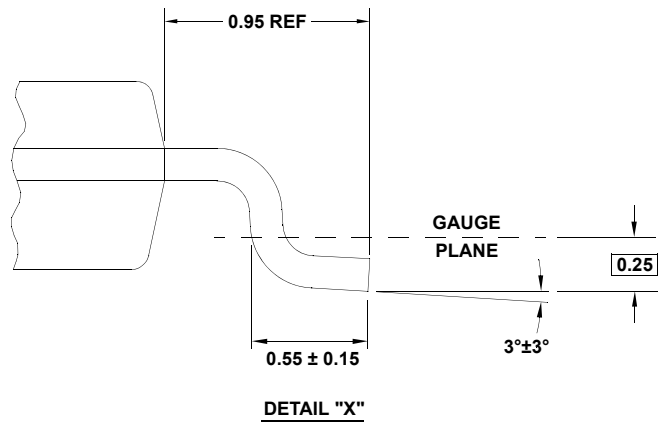
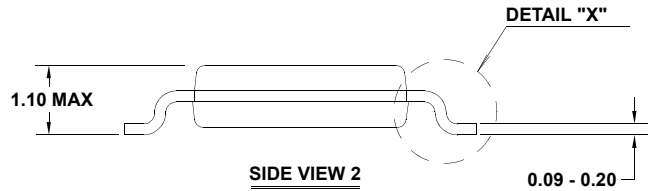
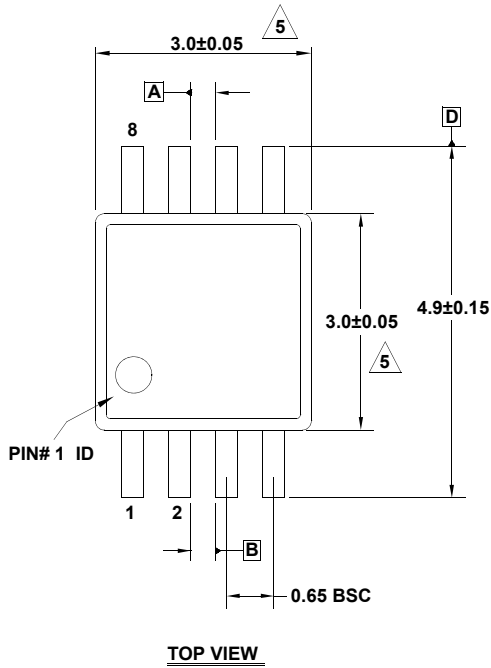
Rev. 0 12/93

# Package Outline Drawing

## M8.118

8 LEAD MINI SMALL OUTLINE PLASTIC PACKAGE

Rev 4, 7/11



**NOTES:**

1. Dimensions are in millimeters.
2. Dimensioning and tolerancing conform to JEDEC MO-187-AA and AMSEY14.5m-1994.
3. Plastic or metal protrusions of 0.15mm max per side are not included.
4. Plastic interlead protrusions of 0.15mm max per side are not included.

5. Dimensions are measured at Datum Plane "H".

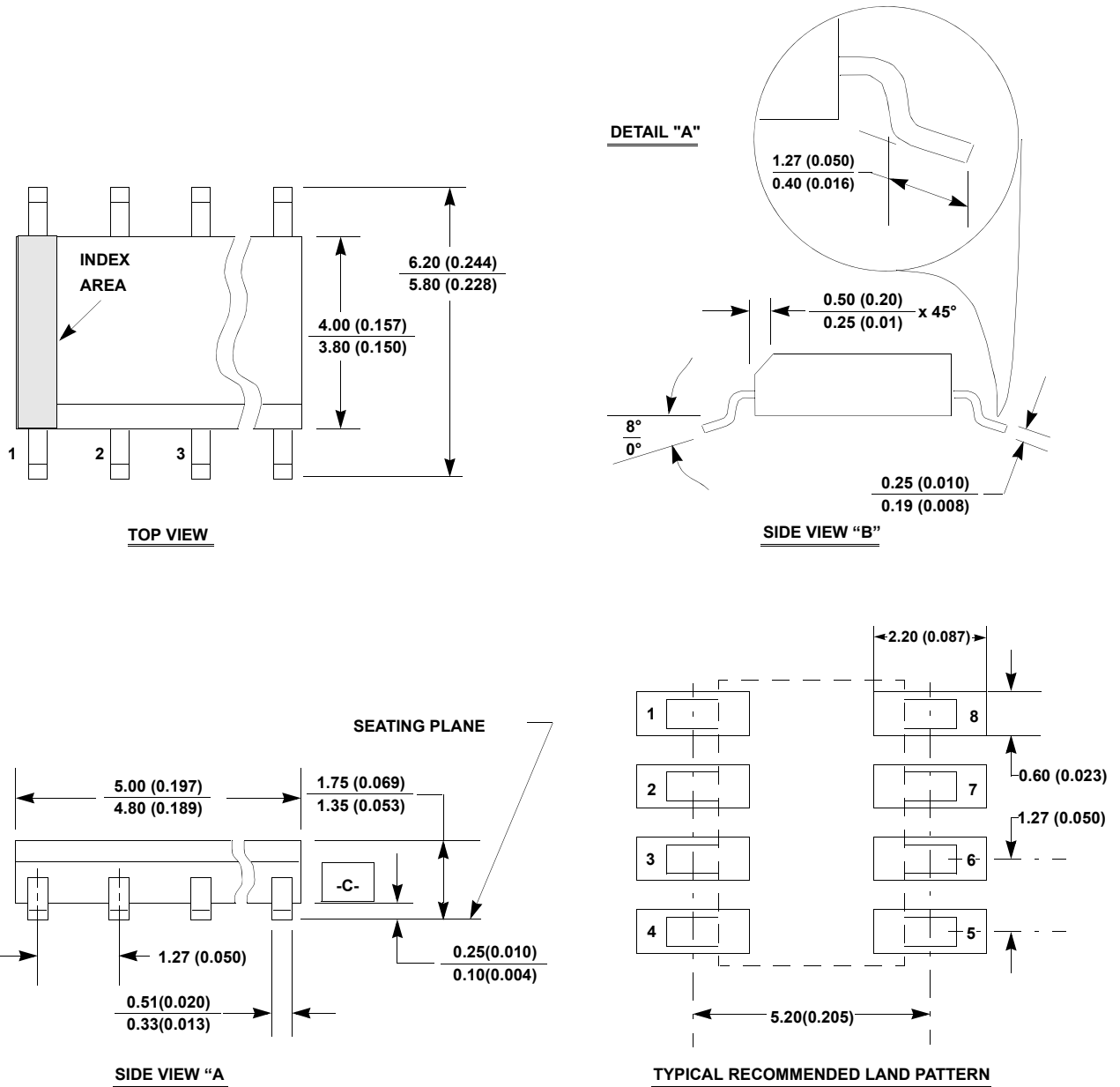
6. Dimensions in ( ) are for reference only.

# Package Outline Drawing

## M8.15

8 LEAD NARROW BODY SMALL OUTLINE PLASTIC PACKAGE

Rev 4, 1/12



**NOTES:**

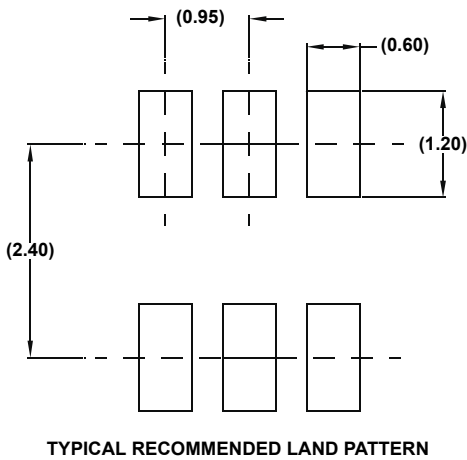
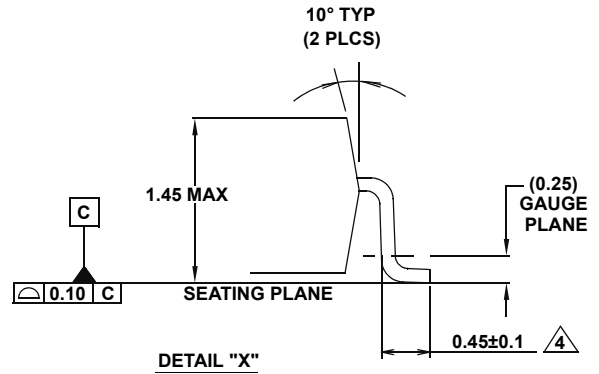
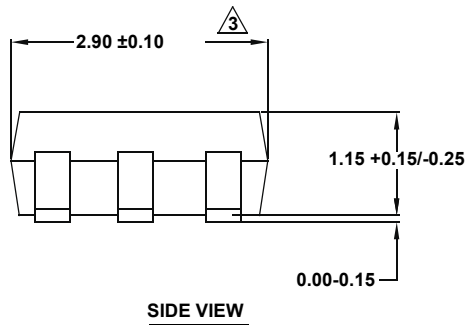
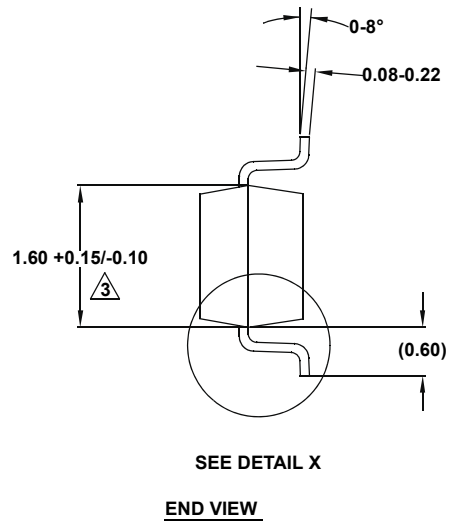
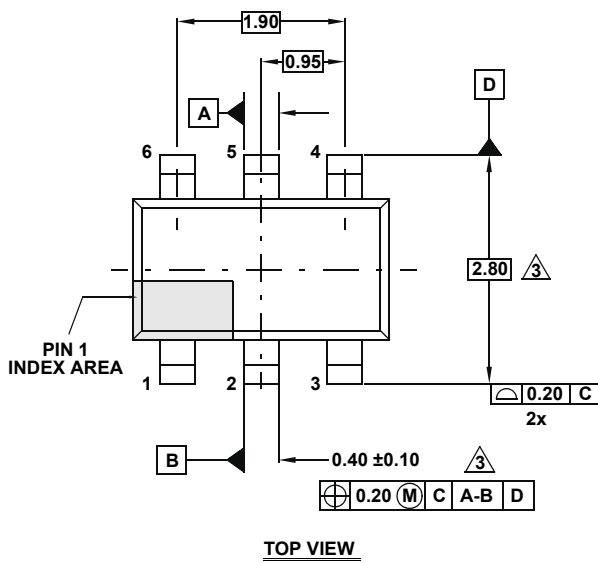
1. Dimensioning and tolerancing per ANSI Y14.5M-1994.
2. Package length does not include mold flash, protrusions or gate burrs. Mold flash, protrusion and gate burrs shall not exceed 0.15mm (0.006 inch) per side.
3. Package width does not include interlead flash or protrusions. Interlead flash and protrusions shall not exceed 0.25mm (0.010 inch) per side.
4. The chamfer on the body is optional. If it is not present, a visual index feature must be located within the crosshatched area.
5. Terminal numbers are shown for reference only.
6. The lead width as measured 0.36mm (0.014 inch) or greater above the seating plane, shall not exceed a maximum value of 0.61mm (0.024 inch).
7. Controlling dimension: MILLIMETER. Converted inch dimensions are not necessarily exact.
8. This outline conforms to JEDEC publication MS-012-AA ISSUE C.

# Package Outline Drawing

## P6.064

### 6 LEAD SMALL OUTLINE TRANSISTOR PLASTIC PACKAGE

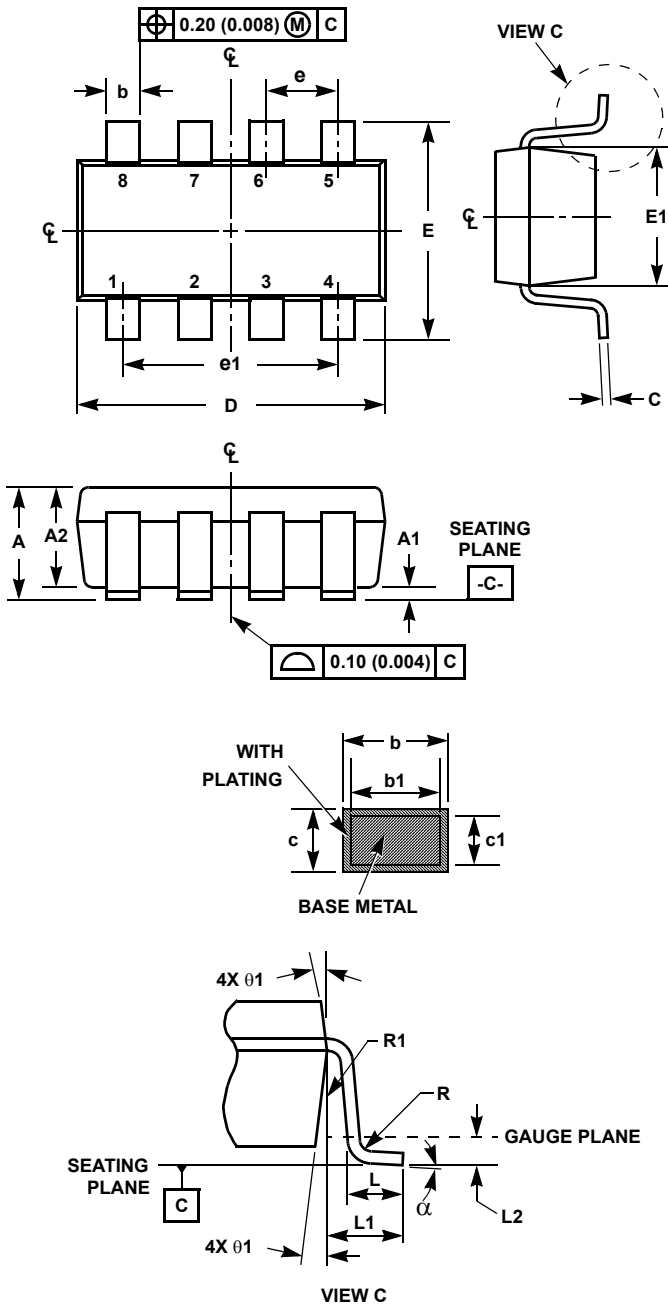
Rev 4, 2/10



**NOTES:**

1. Dimensions are in millimeters.  
Dimensions in ( ) for Reference Only.
2. Dimensioning and tolerancing conform to ASME Y14.5M-1994.
3. Dimension is exclusive of mold flash, protrusions or gate burrs.
4. Foot length is measured at reference to gauge plane.
5. Package conforms to JEDEC MO-178AB.

**Small Outline Transistor Plastic Packages (SOT23-8)**



**P8.064**

**8 LEAD SMALL OUTLINE TRANSISTOR PLASTIC PACKAGE**

| SYMBOL   | INCHES     |        | MILLIMETERS |      | NOTES |
|----------|------------|--------|-------------|------|-------|
|          | MIN        | MAX    | MIN         | MAX  |       |
| A        | 0.036      | 0.057  | 0.90        | 1.45 | -     |
| A1       | 0.000      | 0.0059 | 0.00        | 0.15 | -     |
| A2       | 0.036      | 0.051  | 0.90        | 1.30 | -     |
| b        | 0.009      | 0.015  | 0.22        | 0.38 | -     |
| b1       | 0.009      | 0.013  | 0.22        | 0.33 | -     |
| c        | 0.003      | 0.009  | 0.08        | 0.22 | 6     |
| c1       | 0.003      | 0.008  | 0.08        | 0.20 | 6     |
| D        | 0.111      | 0.118  | 2.80        | 3.00 | 3     |
| E        | 0.103      | 0.118  | 2.60        | 3.00 | -     |
| E1       | 0.060      | 0.067  | 1.50        | 1.70 | 3     |
| e        | 0.0256 Ref |        | 0.65 Ref    |      | -     |
| e1       | 0.0768 Ref |        | 1.95 Ref    |      | -     |
| L        | 0.014      | 0.022  | 0.35        | 0.55 | 4     |
| L1       | 0.024 Ref. |        | 0.60 Ref.   |      | -     |
| L2       | 0.010 Ref. |        | 0.25 Ref.   |      | -     |
| N        | 8          |        | 8           |      | 5     |
| R        | 0.004      | -      | 0.10        | -    | -     |
| R1       | 0.004      | 0.010  | 0.10        | 0.25 | -     |
| $\alpha$ | 0°         | 8°     | 0°          | 8°   | -     |

Rev. 2 9/03

**NOTES:**

1. Dimensioning and tolerance per ASME Y14.5M-1994.
2. Package conforms to EIAJ SC-74 and JEDEC MO178BA.
3. Dimensions D and E1 are exclusive of mold flash, protrusions, or gate burrs.
4. Footlength L measured at reference to gauge plane.
5. "N" is the number of terminal positions.
6. These Dimensions apply to the flat section of the lead between 0.08mm and 0.15mm from the lead tip.
7. Controlling dimension: MILLIMETER. Converted inch dimensions are for reference only

© Copyright Intersil Americas LLC 2001-2015. All Rights Reserved.  
 All trademarks and registered trademarks are the property of their respective owners.

For additional products, see [www.intersil.com/en/products.html](http://www.intersil.com/en/products.html)

Intersil products are manufactured, assembled and tested utilizing ISO9001 quality systems as noted in the quality certifications found at [www.intersil.com/en/support/qualandreliability.html](http://www.intersil.com/en/support/qualandreliability.html)

*Intersil products are sold by description only. Intersil may modify the circuit design and/or specifications of products at any time without notice, provided that such modification does not, in Intersil's sole judgment, affect the form, fit or function of the product. Accordingly, the reader is cautioned to verify that datasheets are current before placing orders. Information furnished by Intersil is believed to be accurate and reliable. However, no responsibility is assumed by Intersil or its subsidiaries for its use; nor for any infringements of patents or other rights of third parties which may result from its use. No license is granted by implication or otherwise under any patent or patent rights of Intersil or its subsidiaries.*

For information regarding Intersil Corporation and its products, see [www.intersil.com](http://www.intersil.com)

## Looking for pricing, stock, or lifecycle information?

Click below to explore more details on WIN SOURCE:

 [View ISL84544IHZ-T on WIN SOURCE](#)

 [Intersil Information](#)

## Optimize Your Supply Chain with WIN SOURCE Solutions

-  Global Sourcing Solution
-  Obsolete Management
-  Cost Control Management
-  Shortage Management
-  Alternative Solution
-  Excess Inventory Management