

GPS/GALILEO + GLONASS Ceramic Patch Antenna



APAKN2504-C2G-T

Request Samples



Check Inventory



25.0 x 25.0 x 4.0mm

RoHS Compliant

MSL Level = N/A

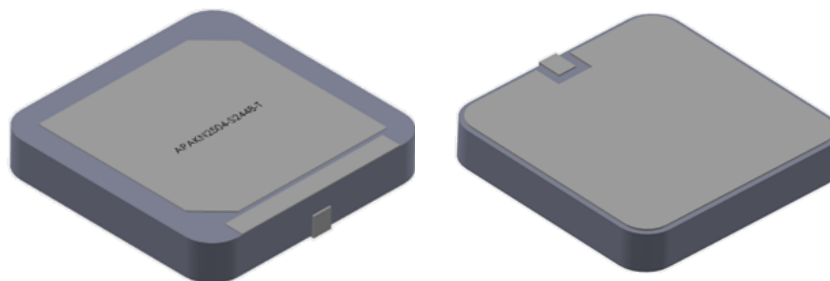
Features

- Multi-constellation passive GNSS antenna
 - GPS : L1
 - GLONASS : G1
 - Galileo : E1
- Peak gain up to 3.6 dBi
- RHCP polarization
- 25.0 x 25.0 x 4.0 mm form factor
- RoHS compliant

Applications

- GPS/GLONASS/Galileo applications
- IoT & M2M
- Remote technology monitoring
- Geofencing
- Surveying and mapping systems
- Logistics
- UAV applications

Product Image



GPS/GALILEO + GLONASS Ceramic Patch Antenna



APAKN2504-C2G-T

Request Samples



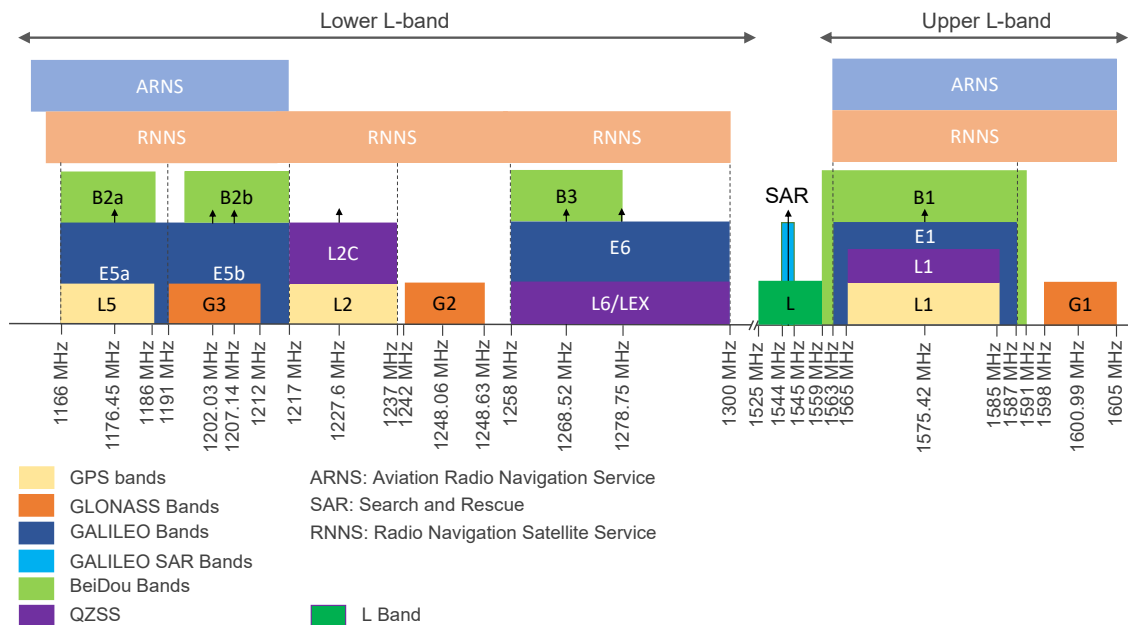
Check Inventory



25.0 x 25.0 x 4.0mm
RoHS Compliant
MSL Level = N/A

GNSS Frequency Bands Covered

GPS	L1 1575.42MHz	L2 1227.6MHz	L5 1176.45MHz	
GLONASS	G1 1598.06-1609.31MHz	G2 1242.93-1251.68MHz	G3 1202.025MHz	
Galileo	E1 1575.42MHz	E5a 1176.45MHz	E5b 1201.5MHz	E6 1278.75MHz
BeiDou	B1 1561MHz	B2 1207.14MHz	B3 1268.52MHz	
QZSS	L1 1575.42MHz	L2 1227.6MHz	L5 1176.45MHz	L6 1278.75MHz
IRNSS/NAVIC			L5 1176.45MHz	
SBAS	L1/E1/B1 1575.42MHz		L5/B2a/E5a 1176.45MHz	



Frequency allocation: GNSS systems, upper L bands and lower L bands



5101 Hidden Creek Ln Spicewood TX 78669
 Phone: 512-371-6159 | Fax: 512-351-8858
 For terms and conditions of sales, please visit:
www.abracon.com

REVISED: 12-11-24

ABRACON IS
 ISO9001-2015
 CERTIFIED

GPS/GALILEO + GLONASS Ceramic Patch Antenna



APAKN2504-C2G-T

Request Samples



Check Inventory



25.0 x 25.0 x 4.0mm
RoHS Compliant
MSL Level = N/A

Electrical Specification

Parameters	Typ.	Units	Note
Antenna			
Frequency	GPS: L1 GLONASS: G1 Galileo: E1	-	On a 70*70mm Ground Plane
VSWR	< 2.0	-	
Polarization	RHCP	-	(Right Hand Circular Polarization)
Nominal Impedance	50	Ω	
Peak Gain	3.6	dBic	L1 (1575.42±1.023 MHz)
	3.6		G1 (1602±5 MHz)

(*) Application environment, including size of the ground plane, proximity to adjacent components, etc., will affect stated performance. Fine tuning might be required when installed on end-customer's PCB. Abracon offers Antenna Optimization Service, please contact Abracon.

Mechanical Specification

Parameter	Specification
Antenna Dimension	25.0 x 25.0 x 4.0mm
Mounting Type	SMD

Environmental Specification

Parameter	Specification
Operating Temperature	-40°C to +85°C
Storage Temperature	-40°C to +105°C
RoHS Compliance	Yes



5101 Hidden Creek Ln Spicewood TX 78669
Phone: 512-371-6159 | Fax: 512-351-8858
For terms and conditions of sales, please visit:
www.abracon.com

REVISED: 12-11-24

ABRACON IS
ISO9001-2015
CERTIFIED

GPS/GALILEO + GLONASS Ceramic Patch Antenna



APAKN2504-C2G-T

Request Samples



Check Inventory



25.0 x 25.0 x 4.0mm

RoHS Compliant

MSL Level = N/A

Ordering Information

Part Number	Description
APAKN2504-C2G-T	GPS/GALILEO + GLONASS Ceramic Patch Antenna with Tray package
APAKN2504-C2G-T-1	GPS/GALILEO + GLONASS Ceramic Patch Antenna with Tape & Reel package

Note: Different cable and connector configurations that are not listed may be available upon request via [Abracon online support](#)



5101 Hidden Creek Ln Spicewood TX 78669
Phone: 512-371-6159 | Fax: 512-351-8858
For terms and conditions of sales, please visit:
www.abracon.com

REVISED: 12-11-24

ABRACON IS
ISO9001-2015
CERTIFIED

GPS/GALILEO + GLONASS Ceramic Patch Antenna



APAKN2504-C2G-T

Request Samples

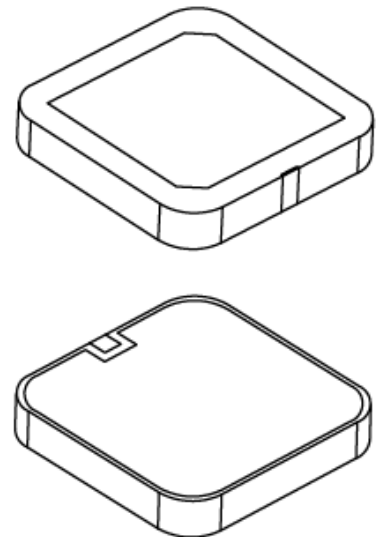
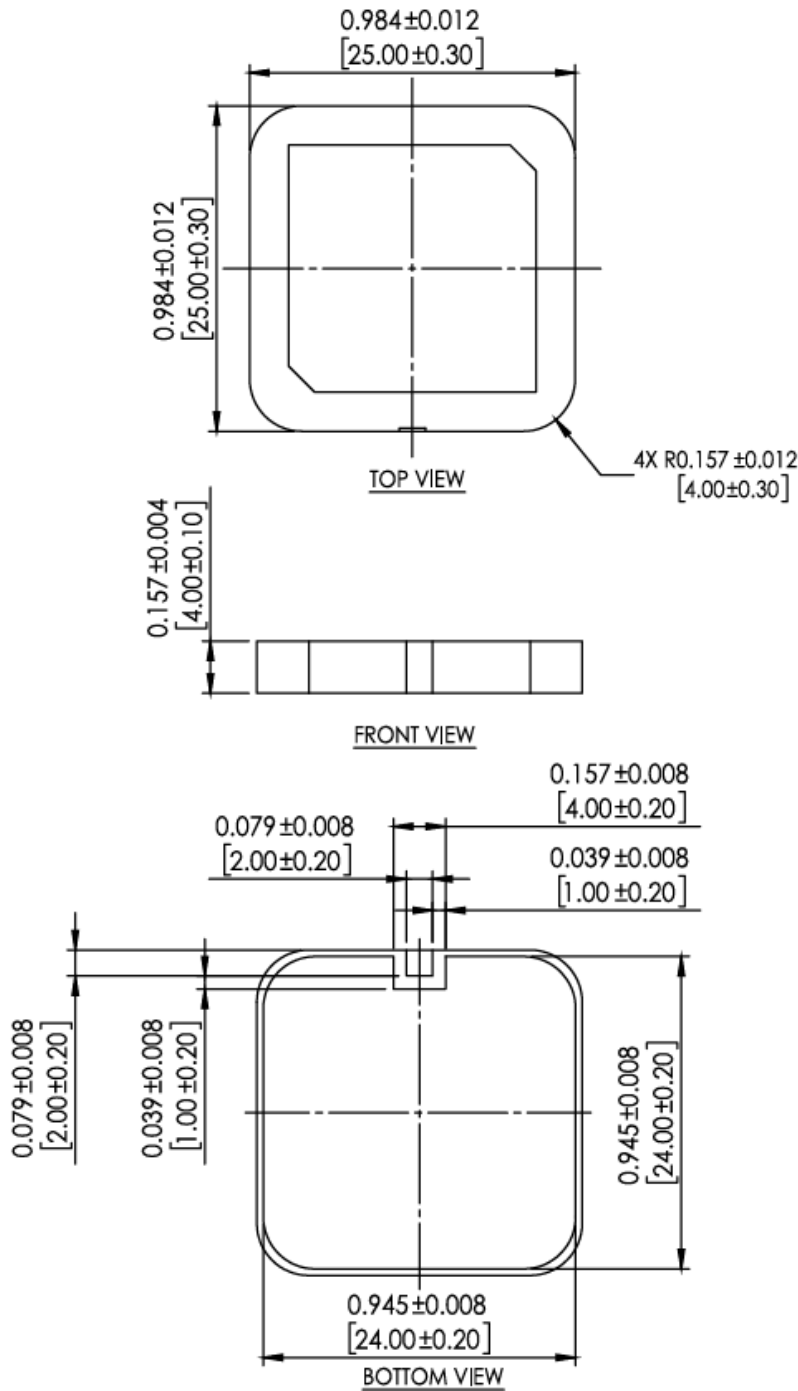


Check Inventory



25.0 x 25.0 x 4.0mm
RoHS Compliant
MSL Level = N/A

Product Dimensions



Unit: inches[mm]



5101 Hidden Creek Ln Spicewood TX 78669
Phone: 512-371-6159 | Fax: 512-351-8858
For terms and conditions of sales, please visit:
www.abracon.com

REVISED: 12-11-24

ABRACON IS
ISO9001-2015
CERTIFIED



APAKN2504-C2G-T

Request Samples

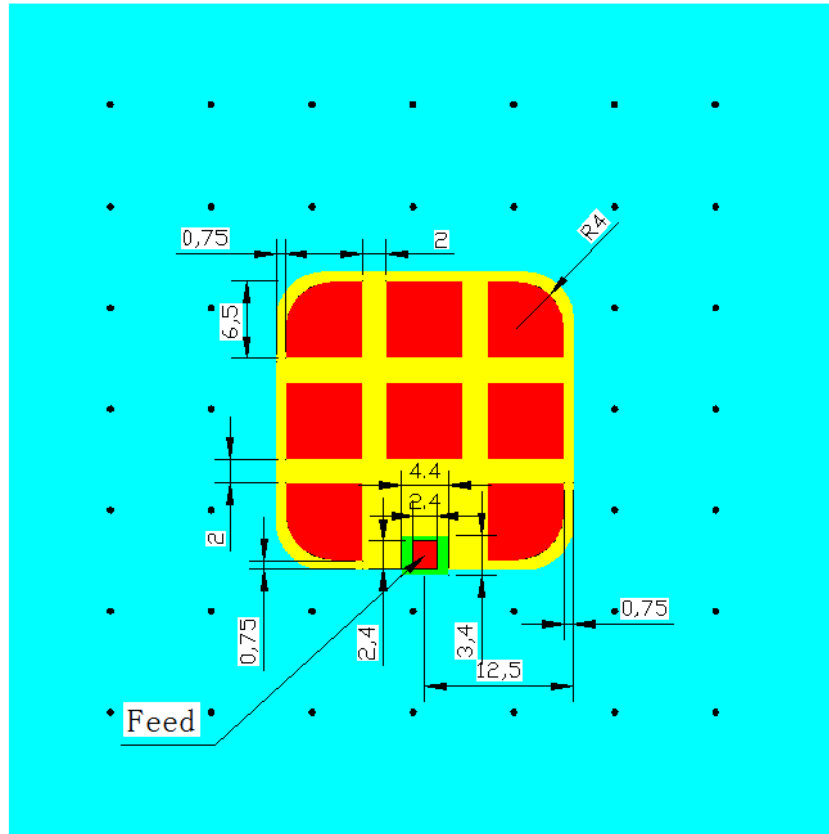


Check Inventory



25.0 x 25.0 x 4.0mm
RoHS Compliant
MSL Level = N/A

Landing Pattern



- Via Thru Hole
- Solder Pattern
- No Ground
- Solder Mask
- Ground

Unit: mm



APAKN2504-C2G-T

Request Samples

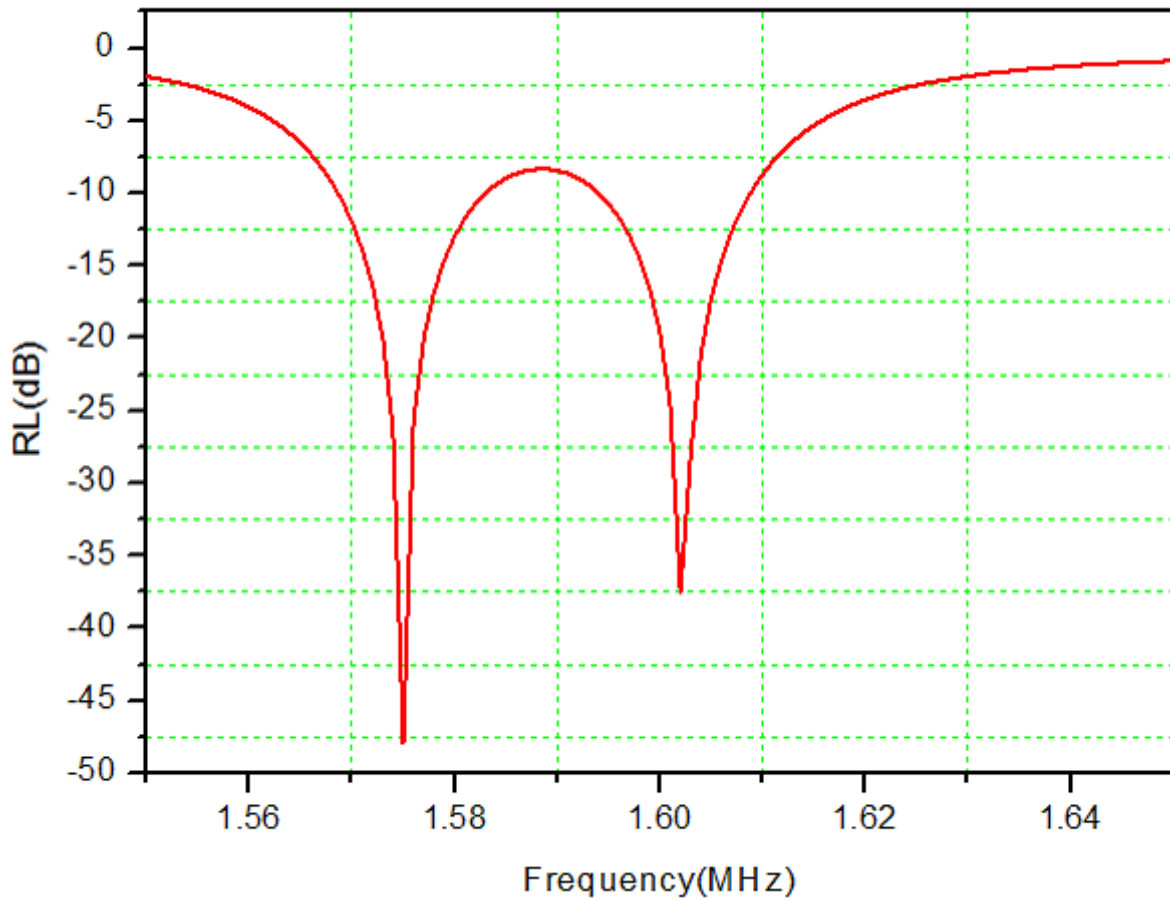


Check Inventory



25.0 x 25.0 x 4.0mm
RoHS Compliant
MSL Level = N/A

Reflection Characteristics – Return Loss





APAKN2504-C2G-T

Request Samples



Check Inventory

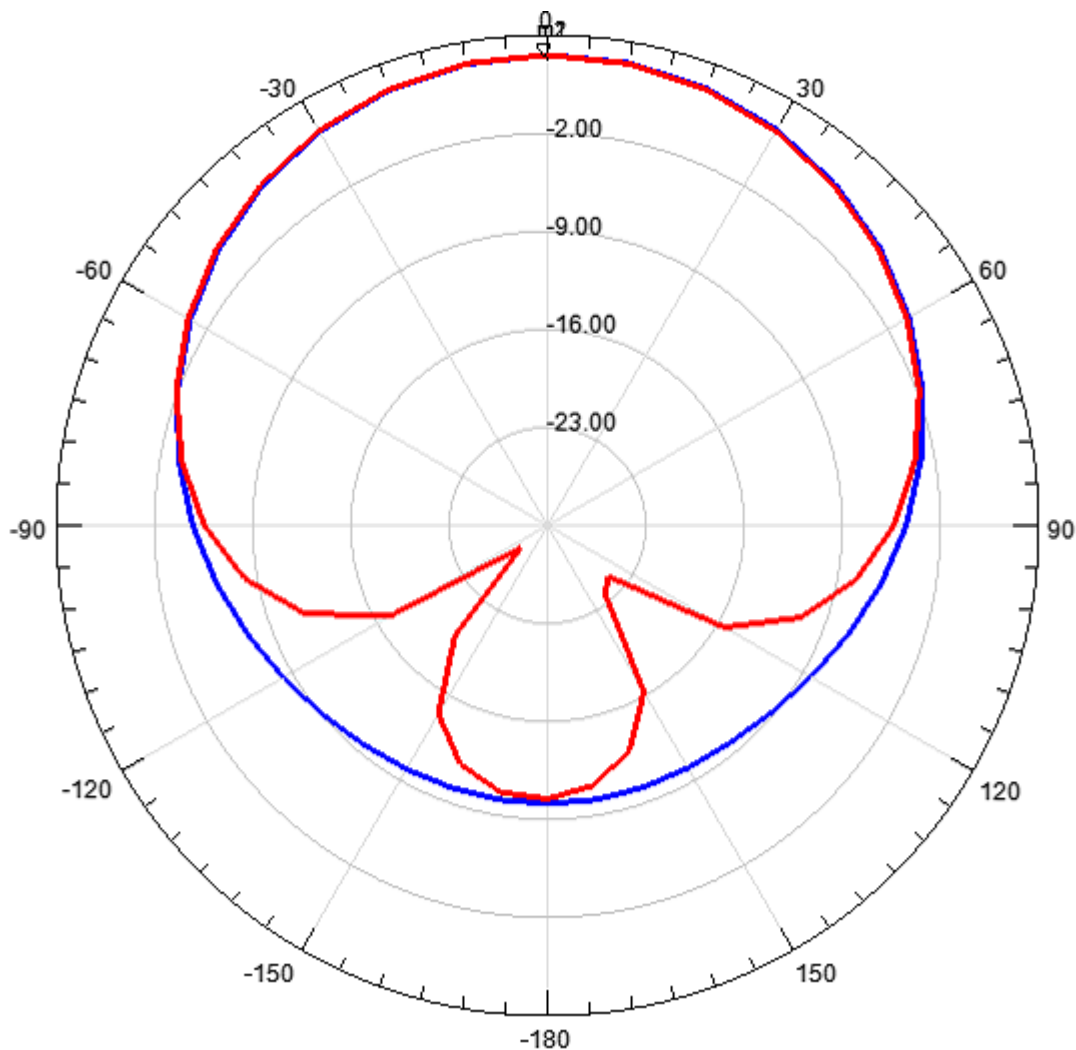


25.0 x 25.0 x 4.0mm

RoHS Compliant

MSL Level = N/A

Radiation Characteristics –2D Pattern





APAKN2504-C2G-T

Request Samples



Check Inventory

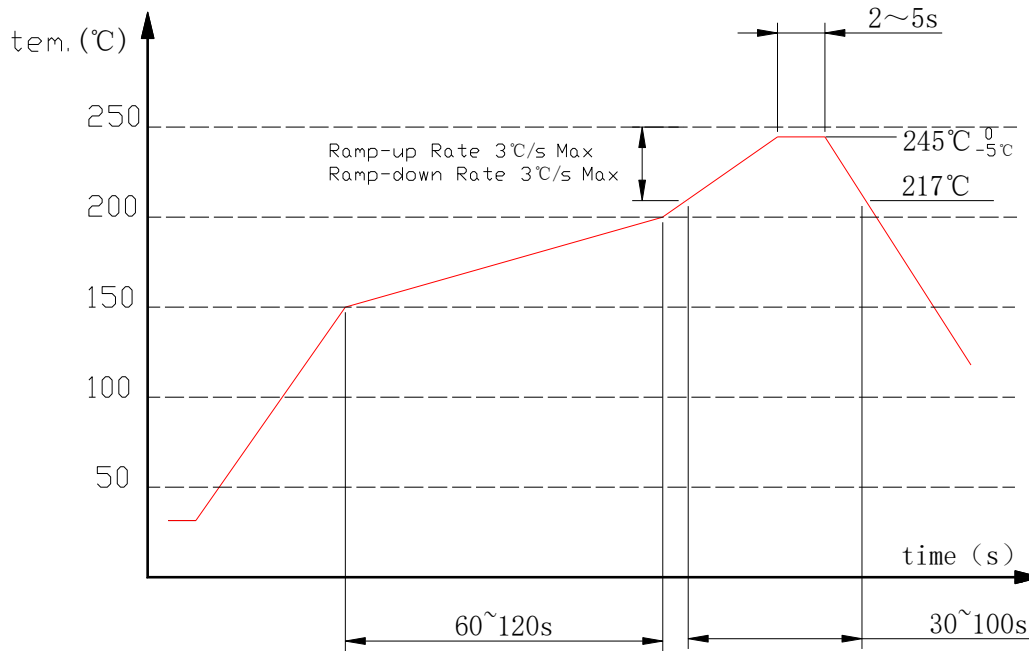


25.0 x 25.0 x 4.0mm
RoHS Compliant
MSL Level = N/A

Reflow Profile

Solder Paste: Sn/Ag/Cu: 96.5/3.0/0.5

Recommended reflow condition:





APAKN2504-C2G-T

Request Samples



Check Inventory



25.0 x 25.0 x 4.0mm
RoHS Compliant
MSL Level = N/A

Packaging

APAKN2504-C2G-T

Package is made of corrugated paper with thickness of 0.8cm. Carton has 4 inner boxes; each box has 1 vacuum bag.

Quantity:

Per package base : 50 elements
Per vacuum bag : 5 package bases
Per inner box : 1 vacuum bag
Per package : 4 inner boxes
Total No of piece/package : 1000
Gross Weight : 12 Kg
Carton Dimensions : 37x37x17cm

APAKN2504-C2G-T-1

400 pcs per reel
1 reel per inner box
2 inner box per package
Dimension of the inner box: 340 x 340 x 56 mm
Tape & Reel Dimension:

GPS/GALILEO + GLONASS Ceramic Patch Antenna



APAKN2504-C2G-T

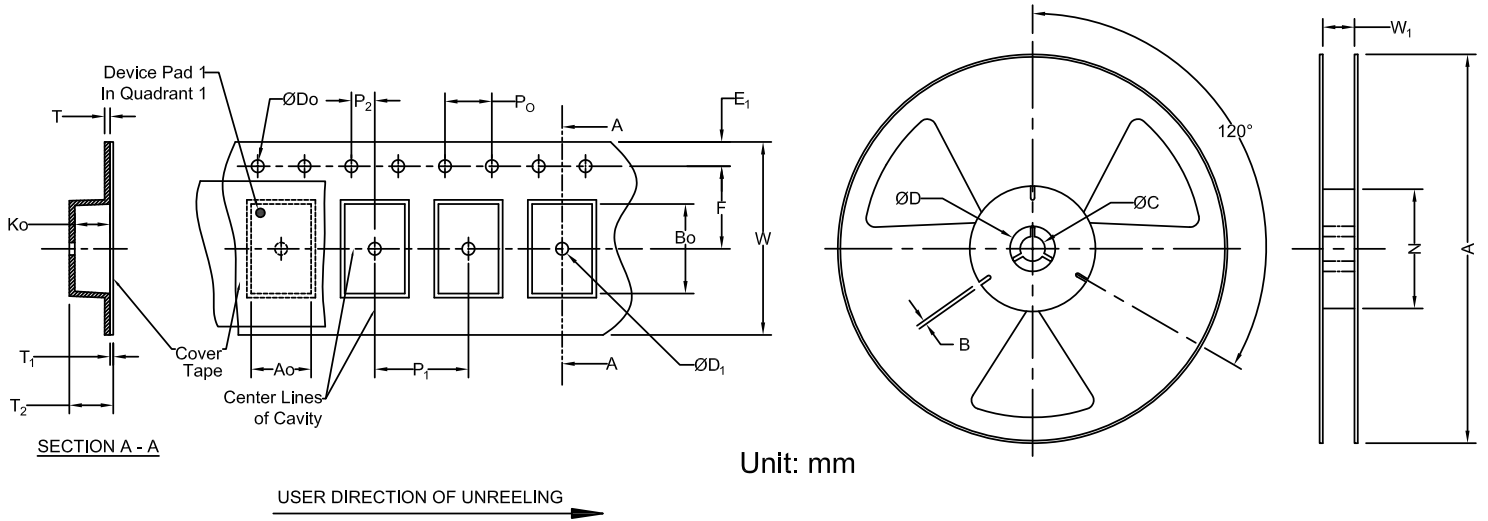
Request Samples



Check Inventory



25.0 x 25.0 x 4.0mm
RoHS Compliant
MSL Level = N/A



Carrier Tape Specifications (mm)

Do	D ₁	E ₁	P ₀	P ₂	T	F	P ₁	W	A ₀	B ₀	K ₀	Reel Qty
1.50 ± 0.1	2.00 ± 0.1	1.75 ± 0.1	4.0 ± 0.1	2.0 ± 0.10	0.4 ± 0.05	20.2 ± 0.15	32.0 ± 0.1	44.0 ± 0.3	25.5 ± 0.2	25.5 ± 0.2	4.2 ± 0.2	400

Reel Specifications (mm)

A	W ₁	N	C	D
330 ± 5.0	44.5 ± 2.0	80 ± 5.0	13.5 ± 5.0	21.0 ± 1.0

ATTENTION: Abracon LLC's products are Commercial-Off-The-Shelf (COTS), which are designed, intended, and validated for use in commercial, industrial, and automotive applications. The customer is responsible for testing and verifying the performance of an Abracon solution to meet their system-level requirements.



5101 Hidden Creek Ln Spicewood TX 78669
 Phone: 512-371-6159 | Fax: 512-351-8858
 For terms and conditions of sales, please visit:
www.abracon.com

REVISED: 12-11-24

ABRACON IS
 ISO9001-2015
 CERTIFIED

Looking for pricing, stock, or lifecycle information?

Click below to explore more details on WIN SOURCE:

 [View APAKN2504-C2G-T on WIN SOURCE](#)

 [Abracon LLC Information](#)

Optimize Your Supply Chain with WIN SOURCE Solutions

-  Global Sourcing Solution
-  Obsolete Management
-  Cost Control Management
-  Shortage Management
-  Alternative Solution
-  Excess Inventory Management