



# Flush-type connector - SACC-DSI-M8FS-6CON-M10-L90 SH - 1424243

Please be informed that the data shown in this PDF Document is generated from our Online Catalog. Please find the complete data in the user's documentation. Our General Terms of Use for Downloads are valid (<http://download.phoenixcontact.com>)



Sensor/actuator flush-type plug-in connector, socket, 6-pos., M8, rear/screw mounting with M10 fastening thread, with angled solder connection



## Key commercial data

Packing unit	0
Minimum order quantity	1
GTIN	 4 046356 712552
Custom tariff number	85366990
Country of origin	GERMANY

## Technical data

### General data

Rated current at 40°C	1.5 A
Rated voltage	30 V
Number of positions	6
Volume resistance	≤ 3 mΩ
Insulation resistance	≥ 100 MΩ
Ambient temperature (operation)	-25 °C ... 85 °C

### General characteristics

Standards/regulations	M8 plug-in connector IEC 61076-2-104
Surge voltage category	II
Pollution degree	3
Degree of protection	IP67
Contact material	Cu alloy
Contact surface material	Au
Contact carrier material	PA 66
Material, knurls	Zinc die-cast, nickel-plated
Mounting type	Rear mounting M10 With flat nut

# Flush-type connector - SACC-DSI-M8FS-6CON-M10-L90 SH - 1424243

## Technical data

### General characteristics

Connection method	Solder pins
Status display	No

## Classifications

### ETIM

ETIM 3.0	EC002061
ETIM 4.0	EC002635
ETIM 5.0	EC002635

### UNSPSC

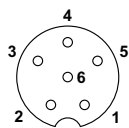
UNSPSC 11	31251501
UNSPSC 12.01	31251501
UNSPSC 13.2	31251501
UNSPSC 6.01	31251501
UNSPSC 7.0901	31251501

### eCl@ss

eCl@ss 4.0	27140815
eCl@ss 4.1	27140815
eCl@ss 5.0	27143423
eCl@ss 5.1	27143423
eCl@ss 6.0	27143423
eCl@ss 7.0	27449001

## Drawings

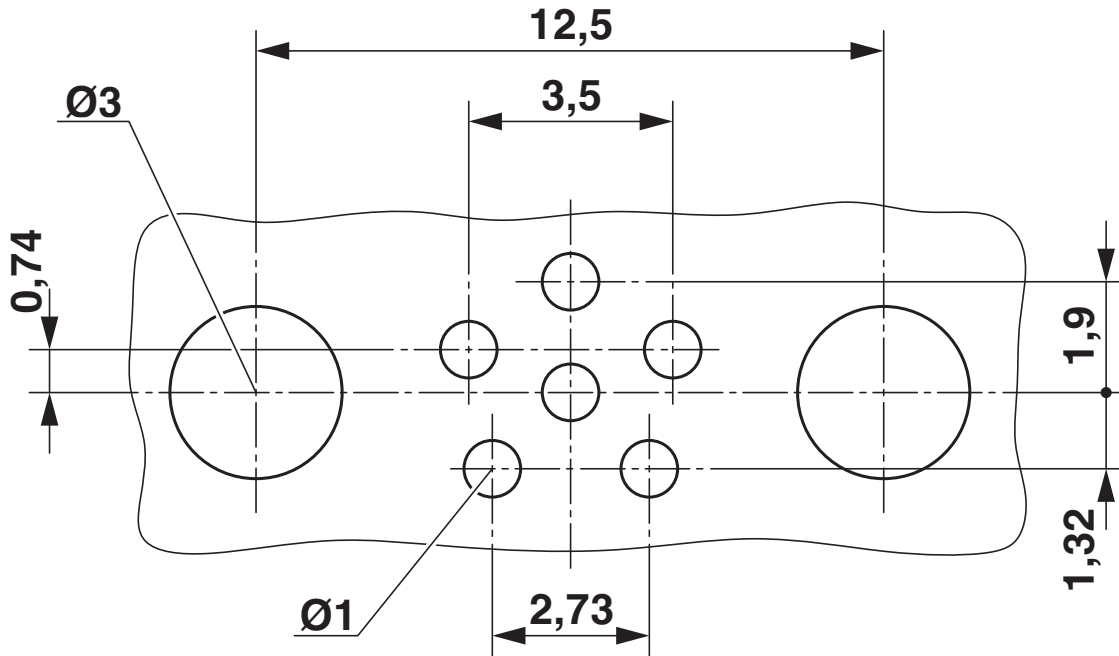
### Schematic diagram



Pin assignment M8 socket, 6-pos.

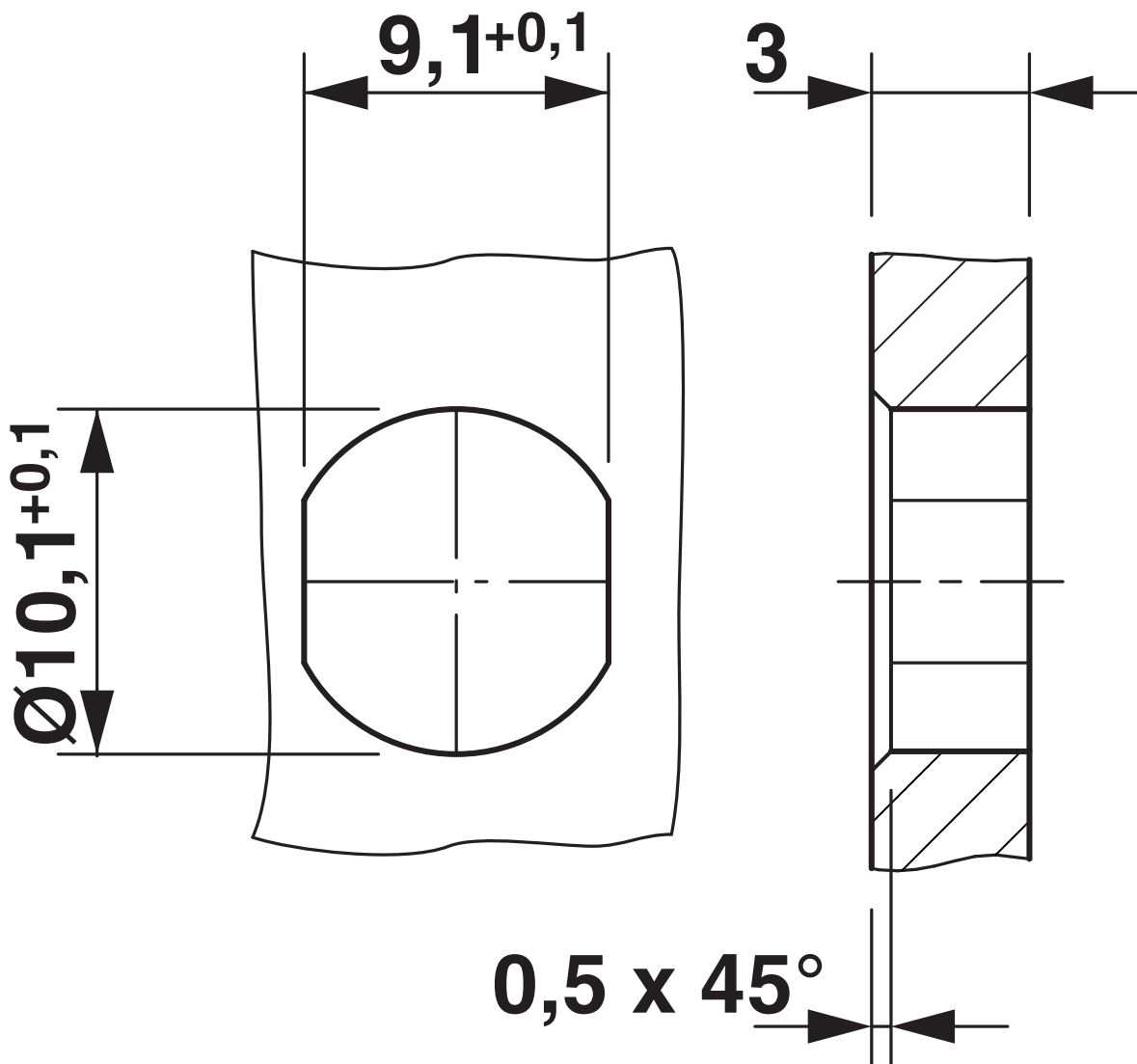
# Flush-type connector - SACC-DSI-M8FS-6CON-M10-L90 SH - 1424243

Drilling diagram



# Flush-type connector - SACC-DSI-M8FS-6CON-M10-L90 SH - 1424243

Dimensioned drawing





## Looking for pricing, stock, or lifecycle information?

Click below to explore more details on WIN SOURCE:

 [View 1424243 on WIN SOURCE](#)

 [Phoenix Contact Information](#)

## Optimize Your Supply Chain with WIN SOURCE Solutions

-  Global Sourcing Solution
-  Obsolete Management
-  Cost Control Management
-  Shortage Management
-  Alternative Solution
-  Excess Inventory Management