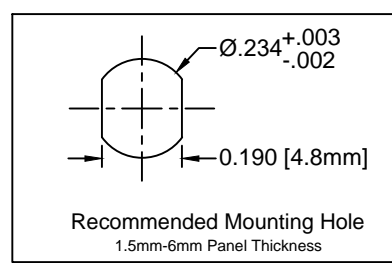
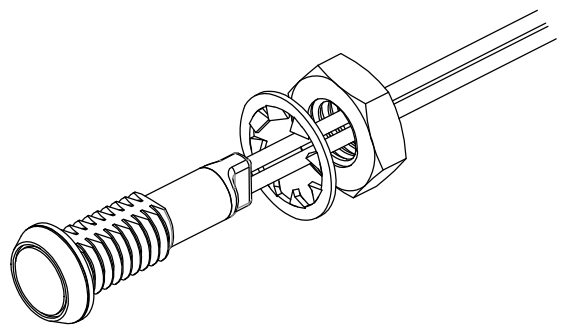
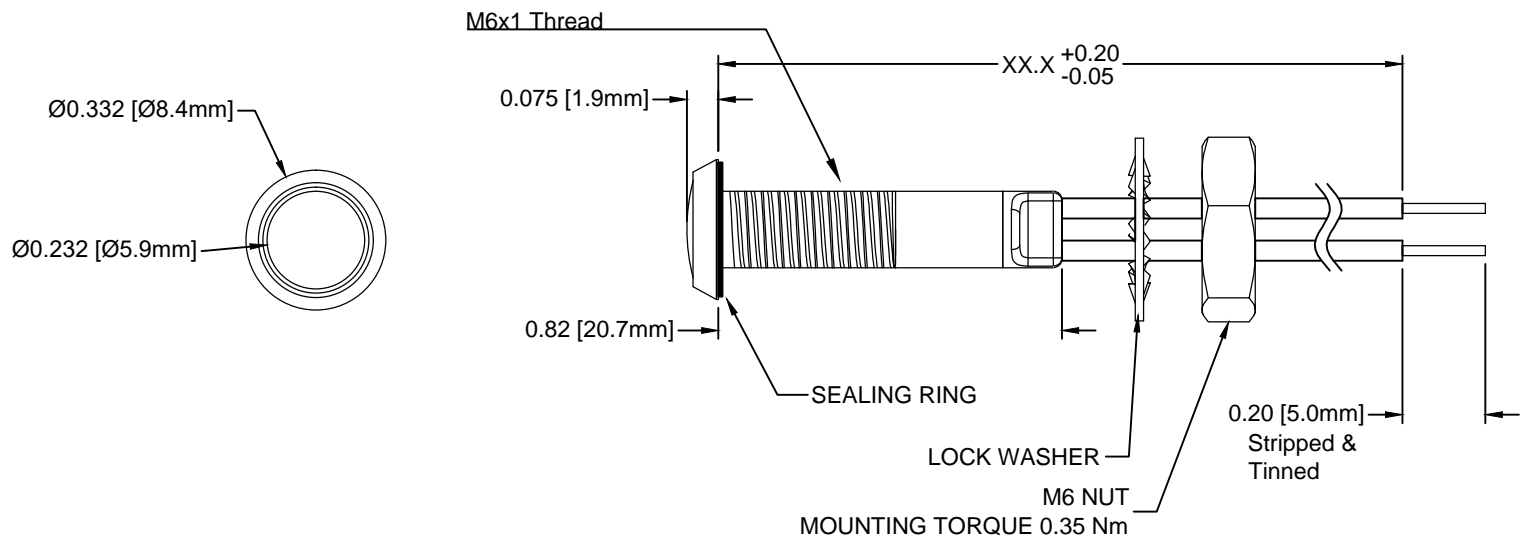




THE DATASHEET OF PM3-PADW12.0



REV.	DESCRIPTION	DATE	APPROVED
A	Engineering Release	04/12/12	T. Y.
B	Updated Descriptions	03/21/13	T. Y.
C	Updated LED Optical Characteristics	09/15/15	J. C.
D	Updated per EOL Notice	06/16/20	A. V.



EXAMPLE:
PM3-PRDW6.5

Wire Length in 0.5" Increments

LED Color & Lens Appearance.

Series

- NOTES:
1. SEALED TO IP67 RATING
 2. WIDE RANGE VOLTAGE INPUT, 8-48 VAC/VDC
 3. BIPOLAR OPERATION
 4. ROHS COMPLIANT
 5. MOUNTING HARDWARE SHIPPED NON-ASSEMBLED
 6. INSERT SEALING RING ON PANEL MOUNT PRIOR TO PANEL INSERTION

CUSTOMER USE DRAWING

STANDARD TOLERANCE (UNLESS OTHERWISE SPECIFIED)		 BIVAR [®] 4 THOMAS, IRVINE, CA. 92618 TEL: (949) 951-8808 FAX: (949) 951-3974	
DECIMALS	ANGULAR		
.X ± .1	X° ± 1°	 TITLE: IP67 Rated Panel Mount Indicator w/ Wire	
.XX ± .02			
.XXX ± .010			
DESIGNED: T. Yin	DATE: 04/12/12	PART NO: PM3-PXXXWXX.X	REVISION: D
REVISED: V. Chavez	DATE: 06/16/20	SHEET SIZE A	CAGE CODE: 32559
CHECKED: A. Valdez	DATE: 06/16/20	SCALE: N/A	SHEET # 1 OF 1

CAD GENERATED DOCUMENT, DO NOT MEASURE DRAWING

REV.	DESCRIPTION	DATE	APPROVED
	SEE SHEET #1		

Assembly Part Number	LED Part Number	Peak Wave Length λ_p (nm)	Emitted Color	Lens Appearance	Electro-Optical Data @ 20mA		Viewing Angle
					Typ Vf (VAC/VDC)	LED Iv (mcd)	
					TYP	TYP	
PM3-PADWXX.X	3SAD-S	610	AMBER	WHITE DIFFUSED	8-48	100	120
PM3-PGDWXX.X	3SGD-S	568	GREEN	WHITE DIFFUSED	8-48	30	120
PM3-PHDWXX.X	3HD-S	625	HE RED	WHITE DIFFUSED	8-48	30	120
PM3-PPGDWXX.X	3SPGD-S	555	PURE GREEN	WHITE DIFFUSED	8-48	20	120
PM3-PRDWXX.X	3SRD-S	645	RED	WHITE DIFFUSED	8-48	40	120

CUSTOMER USE DRAWING

ABSOLUTE MAXIMUM RATINGS (Ta = 25°C)

MAXIMUM POWER DISSIPATION _____ 400 mW
 OPERATING TEMPERATURE RANGE _____ -30°C ~ 85°C
 STORAGE TEMPERATURE _____ -40°C ~ 85°C



CAGE CODE	32559	DRAWING NO: PM3-PXXXWXX.X	REVISION: D
SHEET SIZE	A	SCALE: N/A	SHEET # 2 OF 2
CAD GENERATED DOCUMENT, DO NOT MEASURE DRAWING			

Looking for pricing, stock, or lifecycle information?

Click below to explore more details on WIN SOURCE:

 [View PM3-PADW12.0 on WIN SOURCE](#)

 [Bivar Inc. Information](#)

Optimize Your Supply Chain with WIN SOURCE Solutions

-  Global Sourcing Solution
-  Obsolete Management
-  Cost Control Management
-  Shortage Management
-  Alternative Solution
-  Excess Inventory Management