



**THE DATASHEET OF**  
**0813-1X1T-23-F**



THE INFORMATION CONTAINED HEREIN IS CONSIDERED "PROPRIETARY" TO BEL FUSE INC. AND SHALL NOT BE COPIED, REPRODUCED OR DISCLOSED WITHOUT THE WRITTEN APPROVAL OF BEL FUSE INC.

## ELECTRICAL CHARACTERISTICS @ 25°C

### URNS RATIO

TP1 1CT : 1CT ±2%  
 TP2 1CT : 1CT ±2%  
 TP3 1CT : 1CT ±2%  
 TP4 1CT : 1CT ±2%

### DCL @ 100kHz/100mVRMS

8mA DC BIAS 350µH MIN.

### INS. LOSS

0.1MHz TO 1MHz -1.1 dB MAX  
 1MHz TO 65MHz -0.5 dB MAX  
 65MHz TO 100MHz -0.8 dB MAX  
 100MHz TO 125MHz -1.2 dB MAX

### RET. LOSS (MIN)

0.5MHz-40MHz -18 dB  
 40MHz-100MHz -12+20LOG<f/80MHz> dB

### CM TO CM REJ

100kHz - 100MHz -30 dB MIN

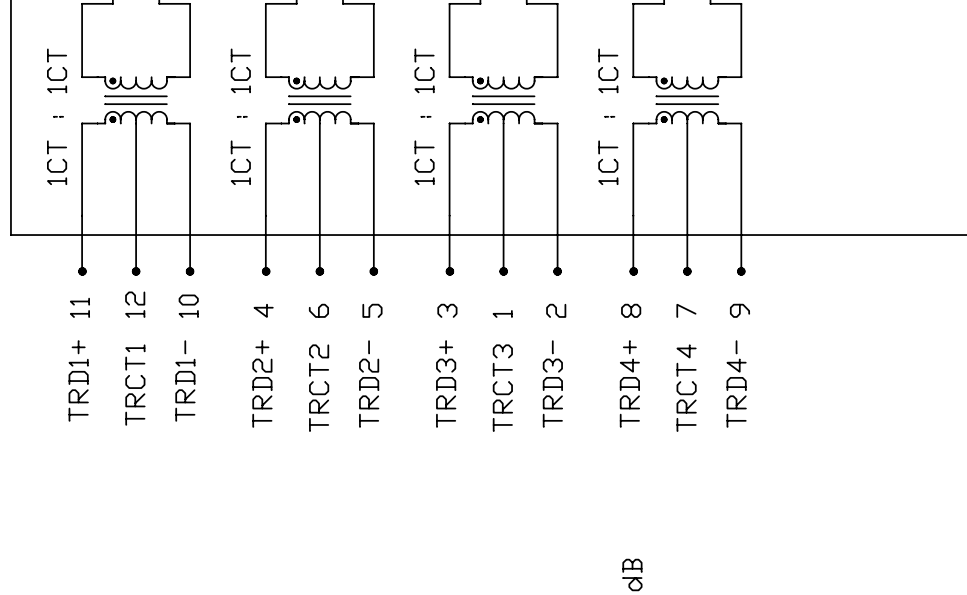
### CM TO DM REJ

100kHz - 100MHz -35 dB MIN

### HIPOT (Isolation Voltage):

1500 Vrms

100% OF PRODUCTION TESTED TO COMPLY WITH IEEE 802.3 ISOLATION REQUIREMENTS.



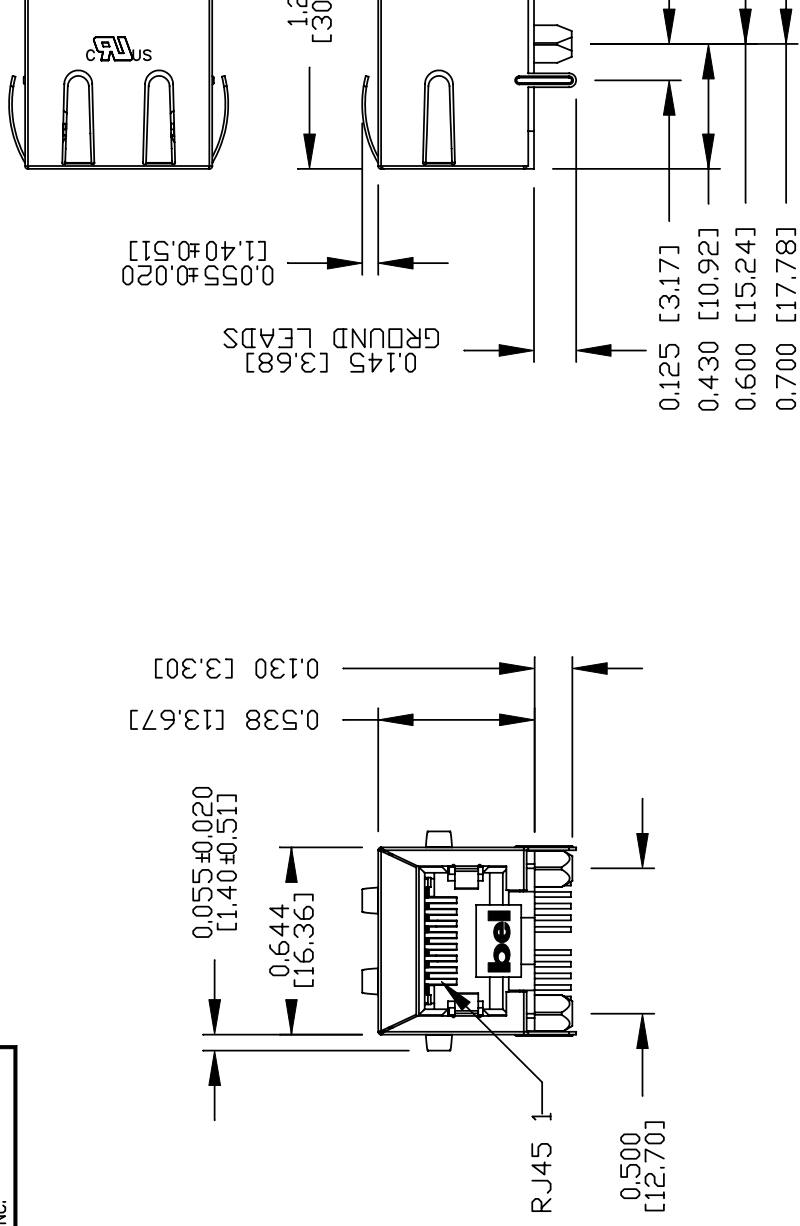
ORIGINATED BY	DATE	TITLE	PART NO. / DRAWING NO.	STANDARD DIM TOL. IN INCH
CHOW WANCHUNG	2012-07-27	gigabit MagJack® (12 cores, Tab Down)	08131X1T23-F	.X
DRAWN BY	DATE	FILE NAME		.XX
TAN QIGUANG	2012-07-27	08131X1T23-F_D.DWG		.XXX

DC002(2)081111

This document is electronically generated. This is a controlled copy if used internally.

THE INFORMATION CONTAINED HEREIN IS CONSIDERED 'PROPRIETARY' TO BEL FUSE INC. AND SHALL NOT BE COPIED, REPRODUCED OR DISCLOSED WITHOUT THE WRITTEN APPROVAL OF BEL FUSE INC.

MECHANICAL SPECIFICATION



**NOTES:**

- PLASTIC HOUSING: THERMOPLASTIC PBT  
FLAMMABILITY RATING UL 94V-0
- CONTACTS: 50 MICRO-INCH HARD GOLD PLATING OR EQUIVALENT.
- OUTPUT PINS: WITH UNDERPLATING OF 50 MICRO-INCH NICKEL.
- METAL SHIELD: TIN-COATED COPPER WIRE, DIA 0.018 INCH.  
NICKEL PLATED ON COPPER ALLOY.
- JACK CAVITY CONFORMS TO FCC RULES AND REGULATIONS.
- ☐ MARK PART WITH MFG LOGO, MFG NAME, PART NUMBER, DATE CODE AND PATENTED.



- CULOUS UL RECOGNIZED
  - 2. THE PRODUCT IS RoHS
  - 3. THE PRODUCT IS PATE
- U.S. PAT. 5,736,910.

<b>ORIGINATED BY</b> ANTON LIAO	<b>DATE</b> 2012-07-27	<b>TITLE</b> gigabit MagJack® (12 cores, Tab Down) 0813-1X1T-23-F PATENTED	<b>PART NO. / DRAWING NO.</b> 08131X1T23-F	<b>STANDARD DIM TOL. IN INCH</b> .X .XX .XXX #0.01
<b>DRAWN BY</b> HE ZHEN	<b>DATE</b> 2012-07-27		<b>FILE NAME</b> 08131X1T23-F_D.DWG	

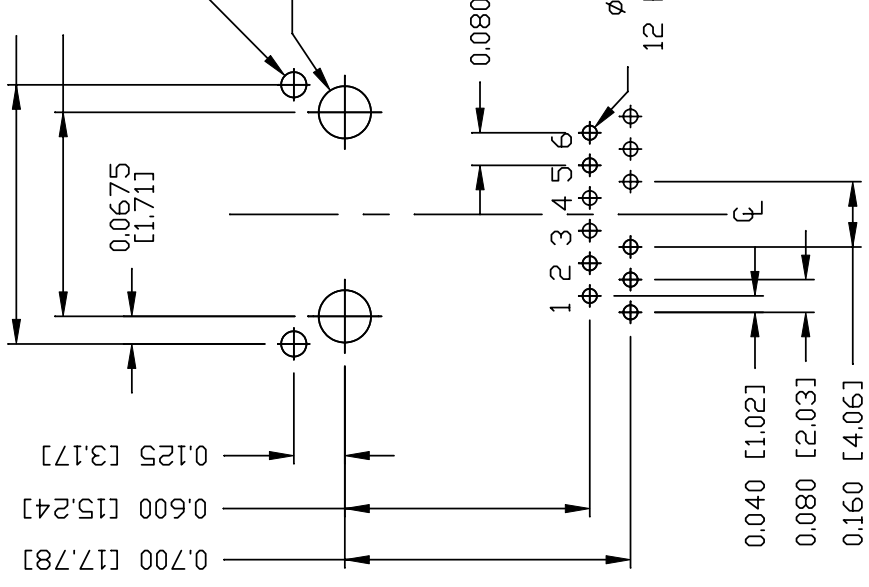
DC002(2)081111

This document is electronically generated. This is a controlled copy if used internally.

THE INFORMATION CONTAINED HEREIN IS CONSIDERED "PROPRIETARY" TO BEL FUSE INC. AND SHALL NOT BE COPIED, REPRODUCED OR DISCLOSED WITHOUT THE WRITTEN APPROVAL OF BEL FUSE INC.

RECOMMENDED PCB FOOTPRINT

COMPONENT SIDE VIEW



ORIGINATED BY ANTON LIAO DATE 2012-07-27

DRAWN BY HE ZHEN DATE 2012-07-27

TITLE

gigabit MagJack®  
(12 cores, Tab Down)  
0813-1X1T-23-F  
PATENTED

PART NO. / DRAWING NO.  
0813X1T23-F

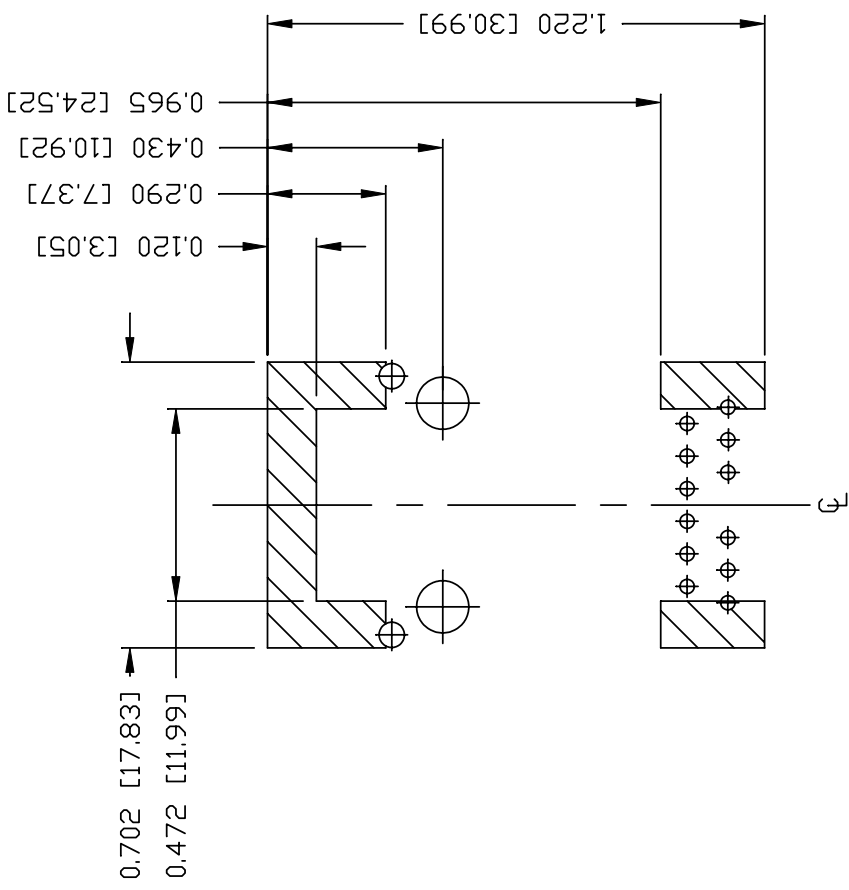
FILE NAME  
0813X1T23-F\_D.DWG

STANDARD DIM	TOL. IN INCH
X	
.XX	
.XXX	
#0.00	

DC002(2)081111

This document is electronically generated. This is a controlled copy if used internally.

THE INFORMATION CONTAINED HEREIN IS CONSIDERED "PROPRIETARY" TO BEL FUSE, INC. AND SHALL NOT BE COPIED, REPRODUCED OR DISCLOSED WITHOUT THE WRITTEN APPROVAL OF BEL FUSE, INC.



NOTES:

THE SHADED AREA ON THE CUSTOMER BOARD ARE RECOMMENDED TO BE CLEAR OFF ANY VIA HOLE OR COMPONENT PAD.

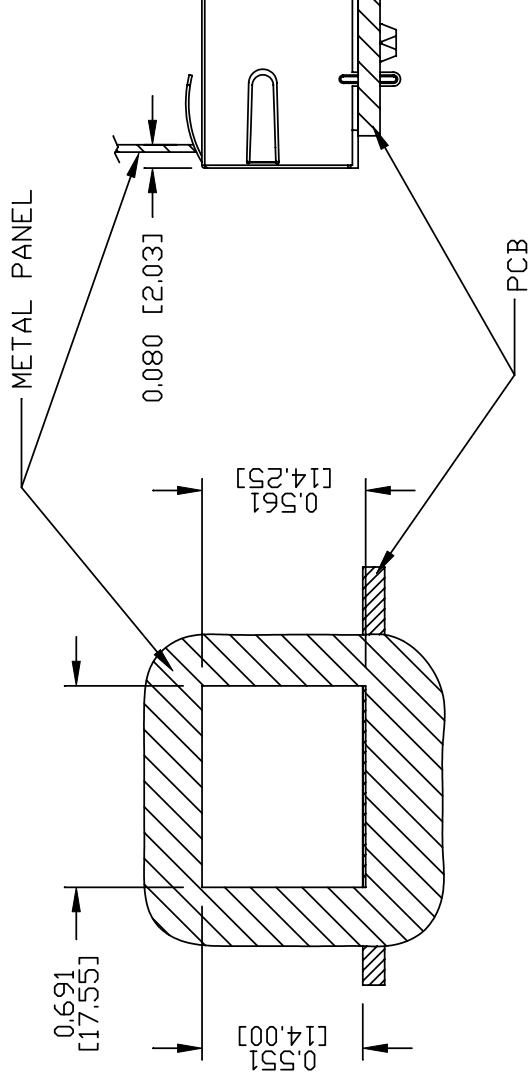
<b>ORIGINATED BY</b> ANTON LIAO	<b>DATE</b> 2012-07-27	<b>TITLE</b> gigabit MagJack® (12 cores, Tab Down) 0813-1X1T-23-F PATENTED	<b>PART NO. / DRAWING NO.</b> 08131X1T23-F	<b>STANDARD DIM TOL. IN INCH</b> .X .XX .XXX
<b>DRAWN BY</b> HE ZHEN	<b>DATE</b> 2012-07-27		<b>FILE NAME</b> 08131X1T23-F_D.DWG	±0.00

DC002(2)081111

This document is electronically generated. This is a controlled copy if used internally.

THE INFORMATION CONTAINED HEREIN IS CONSIDERED "PROPRIETARY" TO BEL FUSE INC. AND SHALL NOT BE COPIED, REPRODUCED OR DISCLOSED WITHOUT THE WRITTEN APPROVAL OF BEL FUSE INC.

SUGGESTED PANEL OPENING



**NOTES:**

THE DISTANCE OF PANEL INSIDE SURFACE RELATIVE TO FRONT SURFACE OF PART IS ONLY IN CASE THIS DISTANCE IS DIFFERENT, THE REQUIRED PANEL OPENING DIMENSIONS CHANGE

PACKING INFORMATION

PACKING TRAY : 0200-9999-F1(TOP)

0200-9999-F2(BOTTOM)

PACKING QUANTITY : 40 PCS FINISHED GOODS PER TRAY

10 TRAYS (400 PCS FINISHED GOODS) PER CARTON BOX

NOTER: CARDBOARDS ARE PLACED BETWEEN LAYERS OF PACKIING TRAY INSIDE CARTON BOX (INCLUDE THE UPPERMOST AND LOWERMOST TRAY)

<b>ORIGINATED BY</b>	<b>DATE</b>	<b>TITLE</b>	<b>PART NO. / DRAWING NO.</b>	<b>STANDARD DIM TOL. IN INCH</b>
ANTON LIAO	2012-07-27	gigabit MagJack® (12 cores, Tab Down) 0813-1X1T-23-F PATENTED	08131X1T23-F	.X
<b>DRAWN BY</b>	<b>DATE</b>		<b>FILE NAME</b>	.XX
HE ZHEN	2012-07-27		08131X1T23-F_D.DWG	.XXX
				#0.00

DC002(2)081111

This document is electronically generated. This is a controlled copy if used internally.

## Looking for pricing, stock, or lifecycle information?

Click below to explore more details on WIN SOURCE:

 [View 0813-1X1T-23-F on WIN SOURCE](#)

 [Bel Fuse Inc. Information](#)

## Optimize Your Supply Chain with WIN SOURCE Solutions

-  Global Sourcing Solution
-  Obsolete Management
-  Cost Control Management
-  Shortage Management
-  Alternative Solution
-  Excess Inventory Management