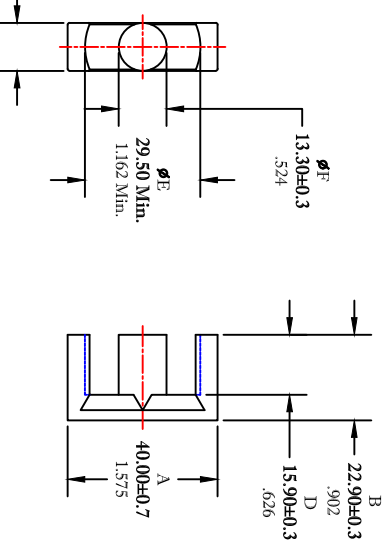




SIZE	PART NO.	REV.
B	9578404602	~

UNCONTROLLED ~ CATALOG ~ DRAWING

down  
more  
please



DIMENSIONS  
BOLD NUMBERS ARE IN MILLIMETERS  
LIGHT NUMBERS ARE IN INCHES

ELECTRICAL SPECIFICATIONS					
$\Sigma l/A(\text{mm}^{-1})$	$l_e$ (mm)	$A_e$ (mm <sup>2</sup> )	$V_e$ (mm <sup>3</sup> )	$A_{MIN}$ (mm <sup>2</sup> )	$A_L$ (nH) @ 1 KHz <10gauss
0.69	100	144	14420	130	3400±25%

POWER LOSS @ 100°C  
F = 100 kHz, 2000g, P.L. ≤ 8.4 WATTS

<b>FAIR-RITE PRODUCTS CORP.</b>					
TITLE EER CORE					
DRAWN BY JSEBENCKS	DATE 07-12-2018	SIZE B	PART NO. 9578404602	REV. ~	
CHKD BY		SCALE NONE	SHEET 1	of 1	

FR# 78

## Looking for pricing, stock, or lifecycle information?

Click below to explore more details on WIN SOURCE:

 [View 9578404602 on WIN SOURCE](#)

 [FAIR-RITE PRODUCTS](#) Information

## Optimize Your Supply Chain with WIN SOURCE Solutions

-  Global Sourcing Solution
-  Obsolete Management
-  Cost Control Management
-  Shortage Management
-  Alternative Solution
-  Excess Inventory Management