

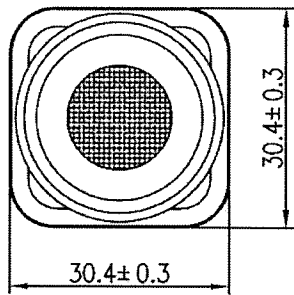


**THE DATASHEET OF  
GRB203B801BRRN5**

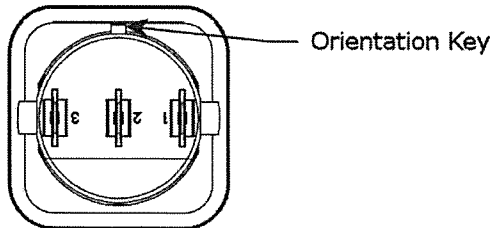
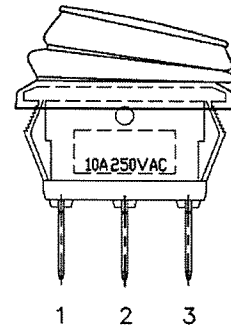
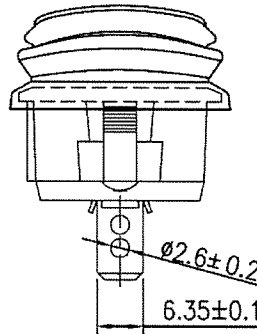
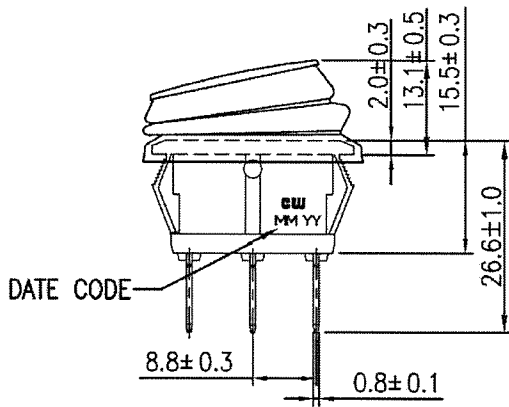


THIS INFORMATION IS CONFIDENTIAL AND PROPRIETARY TO CW INDUSTRIES INCORPORATED AND ITS AFFILIATES. IT MAY NOT BE DISCLOSED TO ANYONE OTHER THAN CW INDUSTRIES PERSONNEL, WITHOUT WRITTEN AUTHORIZATION FROM CW INDUSTRIES INCORPORATED, SOUTHAMPTON, PENNSYLVANIA USA.

<b>Rating</b>		10A 250V AC	<b>Mounting Hole</b>	<b>Circuit Diagram</b>
<b>Contact Resistance</b>	50m ohm Max.			
<b>Insulation Resistance</b>	DC 500V 100M ohm Min.			
<b>Dielectric Strength</b>	AC 1500V 1 minute			
<b>Operation Temperature</b>	-25°C~85°C		Thickness 1.0~3.0 mm	
<b>Switch Function</b>	3P SPST ON-OFF Lamp Dependent			
<b>Lamp Type</b>	LED 250VAC 220V w/resistor			



**\*MATERIAL:**  
 Frame: Black, Nylon 66 (94-V2)  
 Actuator: Red, PC (94-V2)  
 Terminals: Silver plated, Copper alloy  
 Waterproof Rubber: Silicone  
**\*Waterproof: IP65**  
 Tolerance: ±0.3mm unless otherwise specified



RoHS Compliant

1 Added Dependent to switch function & Lamp Type to drawing. 12/08/11.

**cw INDUSTRIES**  
 Southampton, Pa. 18966  
 Tel 215.355.7080/www.cwind.com

Date Drawn: 5/17/10

Rev. 1

Unit: mm

Checked By: *G. Gold*

Title:

**ROCKER SWITCH**

CW P/N:

**GRB203B801BRRN5**

## Looking for pricing, stock, or lifecycle information?

Click below to explore more details on WIN SOURCE:

 [View GRB203B801BRRN5 on WIN SOURCE](#)

 [CW Industries](#) Information

## Optimize Your Supply Chain with WIN SOURCE Solutions

-  Global Sourcing Solution
-  Obsolete Management
-  Cost Control Management
-  Shortage Management
-  Alternative Solution
-  Excess Inventory Management