



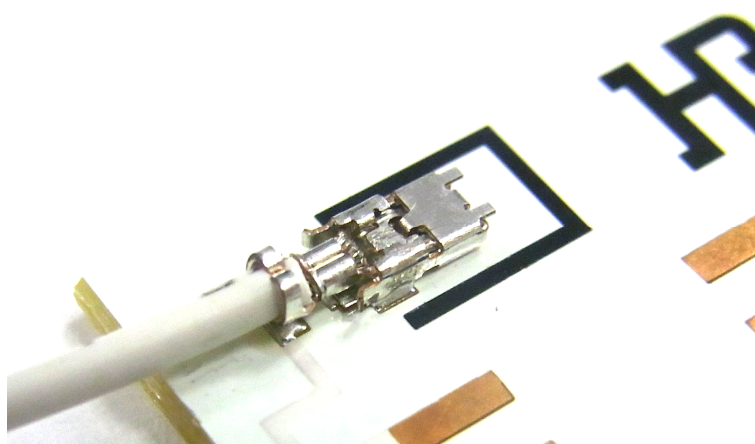
**THE DATASHEET OF
DF59M-2628PCF**



HRS

DF59M Series

Horizontal Mate, Mono-pole Wire to Board Connector



World's Smallest*
as housing-less WtoB

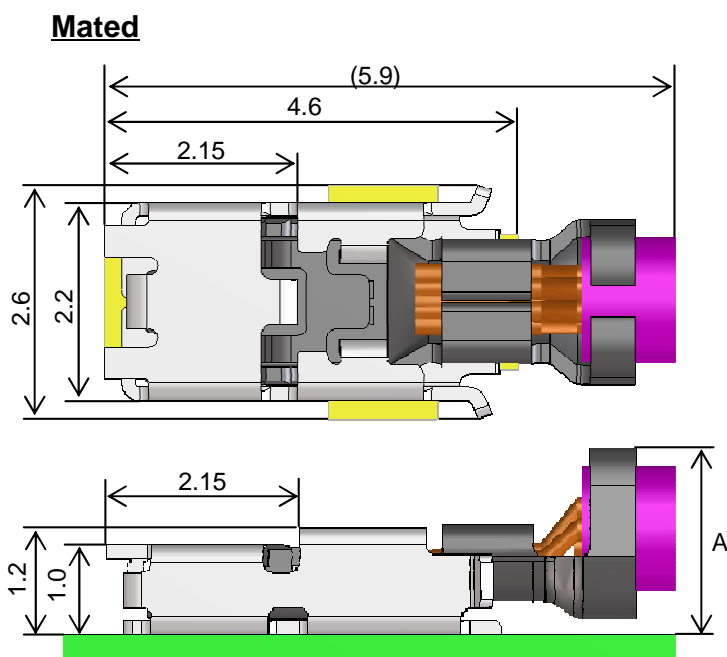
*as of July 2014

◆ Features

1. Housing-less small and low profile mono-pole connector
2. Clear tactile click and high mating force with positive lock
3. High current capability rated up to 6 Amps using AWG#22 cable
4. AWG#28 to 22 with jacket outer dia. ϕ 0.9 to 1.6 mm
5. Will be UL certified
6. RoHS compliant, Halogen-free* product

*This product satisfies halogen free requirements defined as 900 ppm maximum chlorine, 900 maximum bromine, and 1500 ppm maximum total of chlorine and bromine.

◆ Suitable for High Density Mounting LED Modules



Height at crimped portion is different depending on the cable type.

Ex.) UL10368 AWG22: A=1.8 mm
UL10368 AWG28: A=1.7 mm

◆ Specifications

•Material & Finish

Item	Material	Finish
Plug	Copper Alloy	Tin-plating (Copper underplating)
Receptacle	Copper Alloy	Tin-plating (Copper underplating)

•Performance Characteristics

Rated Current	AWG#22: 6 Amps, AWG#24: 5 Amps AWG#26: 4 Amps, AWG#28: 3 Amps
Rated Voltage	AC/DC 300V (Parallel layout, 1.6 mm spacing between pads)*
Operating Temperature Range	-40 °C to + 105 °C
Applicable Cable	AWG22 to 28, Jacket Outer Dia. ϕ 0.9 to 1.6 mm (Crimp terminal 2224, 2628)
Contact Resistance	45m Ω Max. (6V, 100 mA)
Durability	20 times

*1.6 mm or more creepage distance is required for the 300 V rating under IEC60664 and JIS C 60664 standards (Printed Wiring Material, Pollution Level 2)

Specifications herein are subject to change without notice. Contact Hirose for latest specifications, drawings or availabilities.

Looking for pricing, stock, or lifecycle information?

Click below to explore more details on WIN SOURCE:

- ⊖ [View DF59M-2628PCF on WIN SOURCE](#)
- ⊖ [Hirose Electric Co Ltd Information](#)

Optimize Your Supply Chain with WIN SOURCE Solutions

- ✓ Global Sourcing Solution
- ✓ Obsolete Management
- ✓ Cost Control Management
- ✓ Shortage Management
- ✓ Alternative Solution
- ✓ Excess Inventory Management