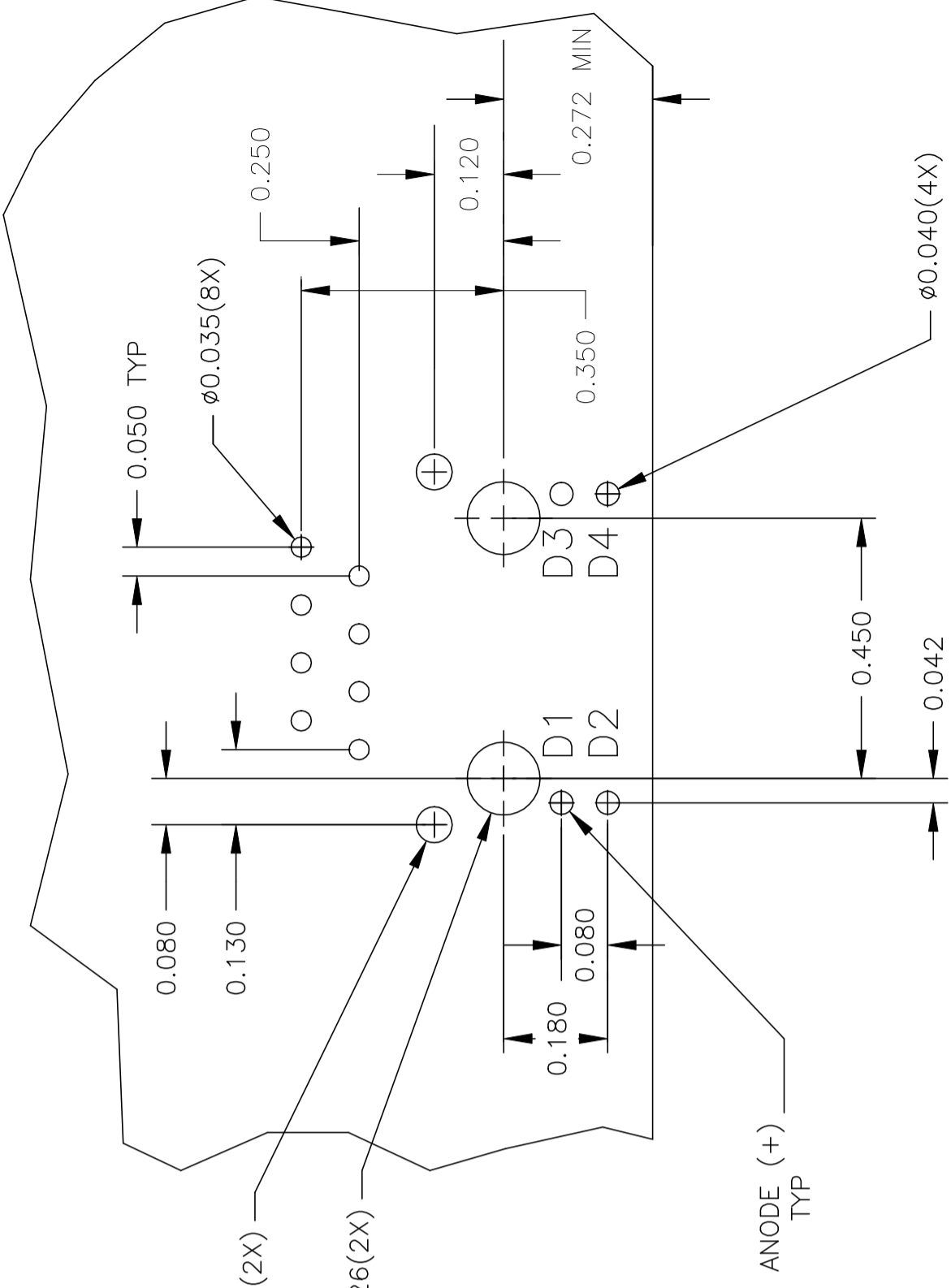
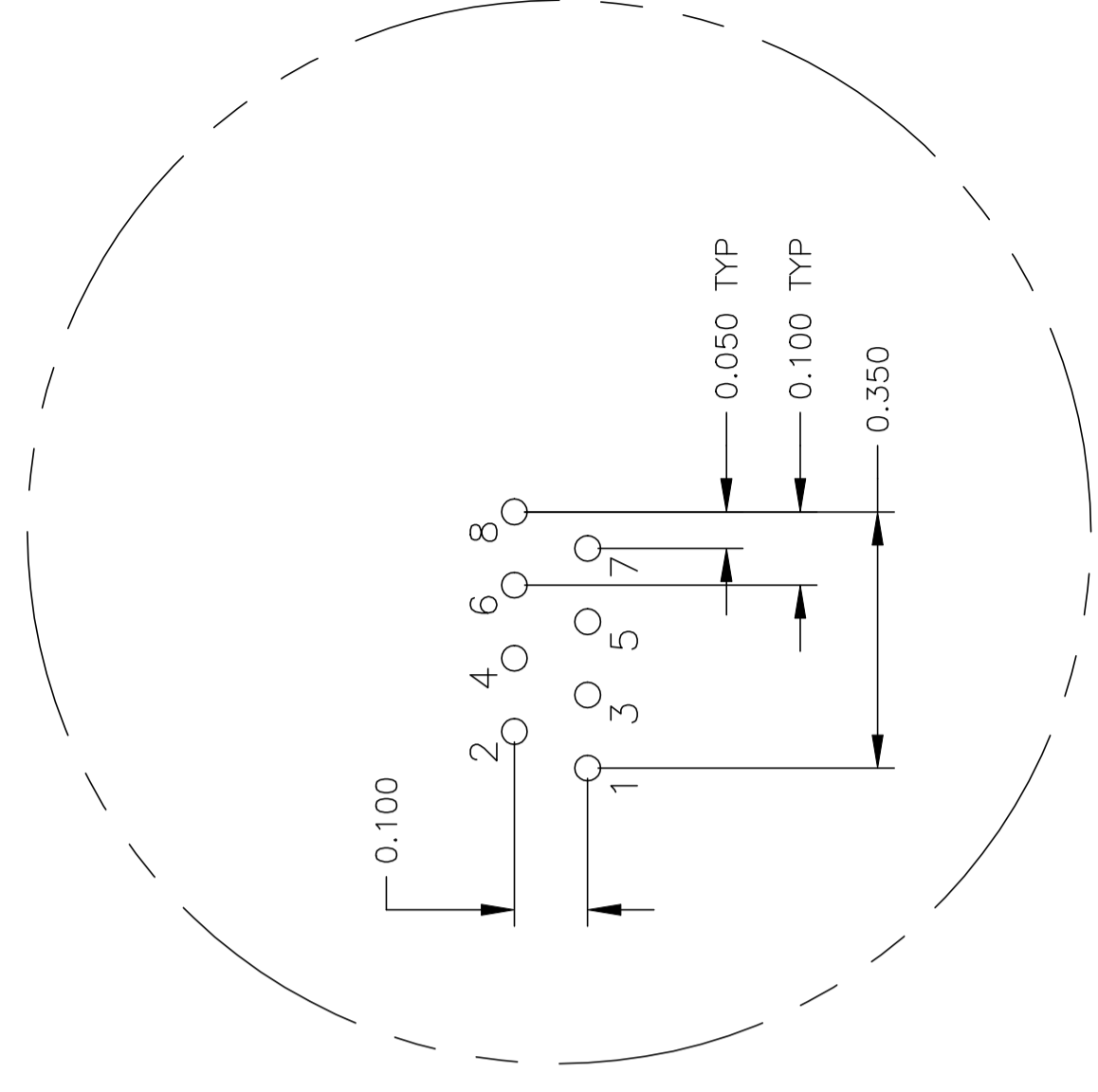
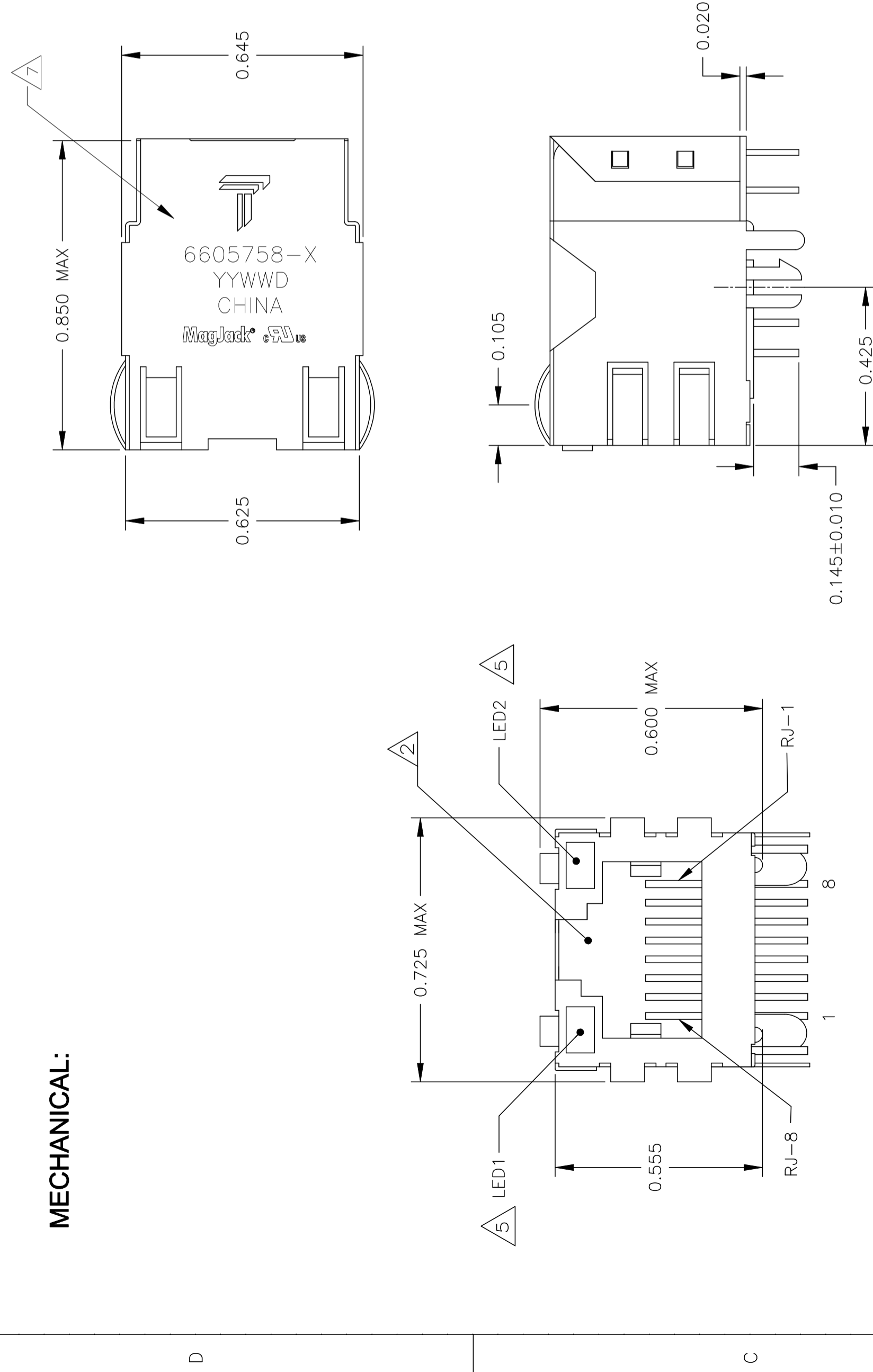




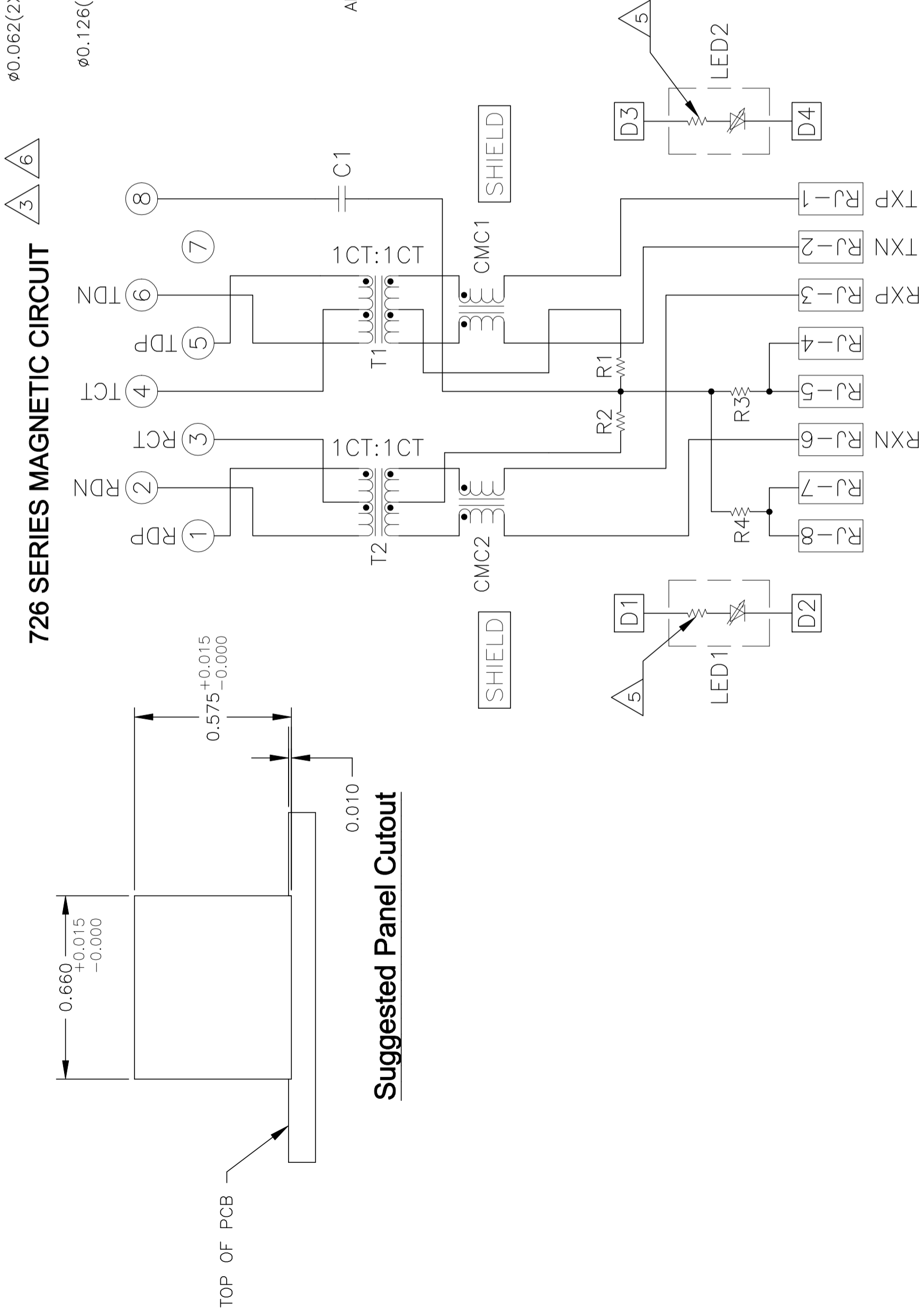
**THE DATASHEET OF**  
**5-6605758-8**



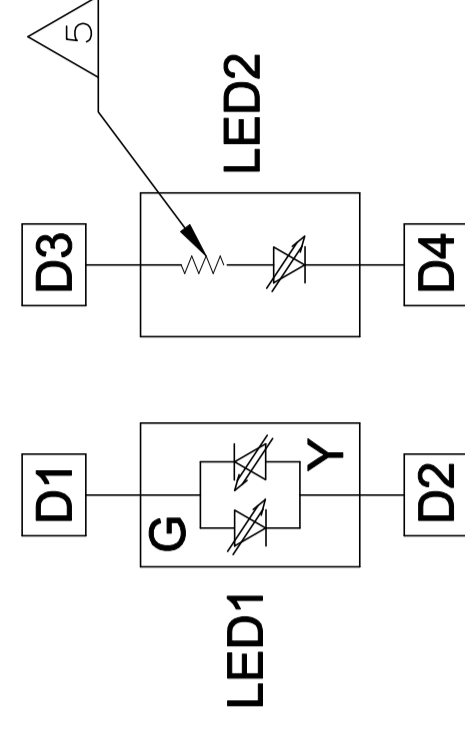
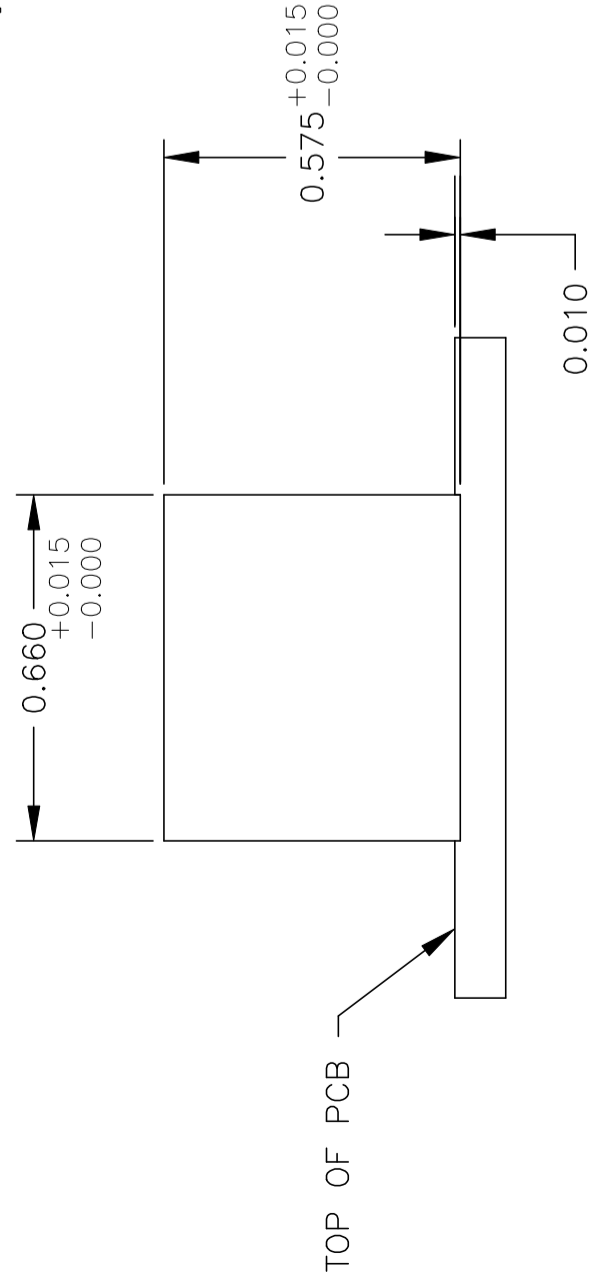
**MECHANICAL:**



**726 SERIES MAGNETIC CIRCUIT**



**Suggested Panel Cutout**



C1 = 1000pF 2kV DECOUPLING CAPACITOR  
 R1-R4 = 75 OHMS, 1/16W, RESISTORS

LED CONFIGURATION  
 FOR 5-6605758-4 ONLY

## Looking for pricing, stock, or lifecycle information?

Click below to explore more details on WIN SOURCE:

 [View 5-6605758-8 on WIN SOURCE](#)

 [Bel Fuse Inc. Information](#)

## Optimize Your Supply Chain with WIN SOURCE Solutions

-  Global Sourcing Solution
-  Obsolete Management
-  Cost Control Management
-  Shortage Management
-  Alternative Solution
-  Excess Inventory Management