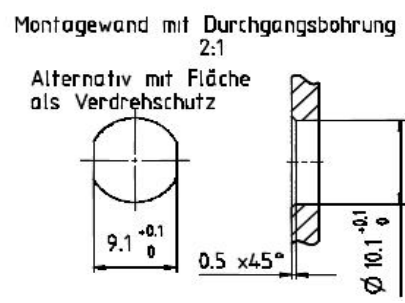
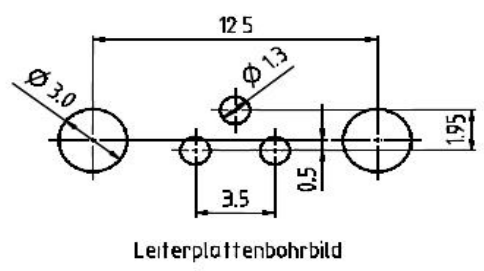
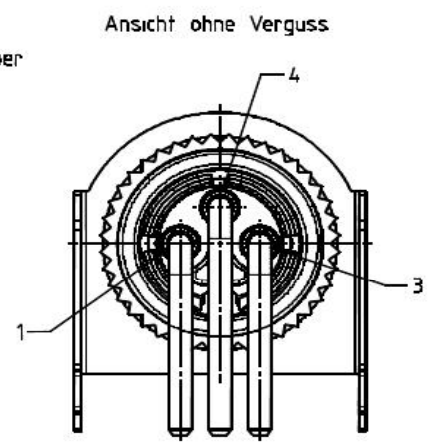
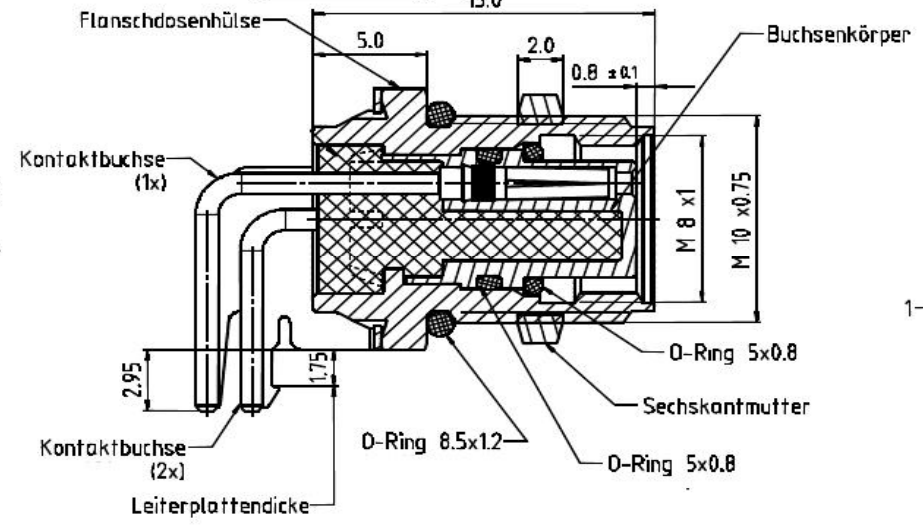
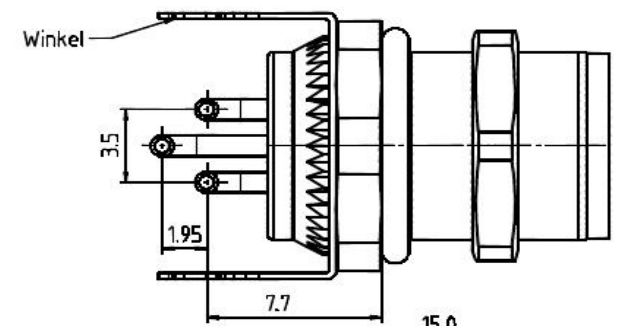
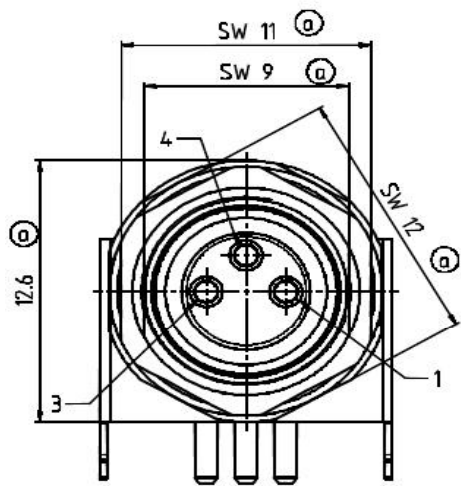




THE DATASHEET OF
1456145





Werkstoff		Nr.		Index	
PHENIX CONTACT Projizionsmethode 1	Volumen	Schutzvermerk	Maße ohne Toleranzang.	Maßstab:	
	Masse		ISO 2768-m		
	Datum	Name	Benennung		
	Bearb.		1456145 SACC-DSI-M8FS-3CON-M10-L90 SH		
	Gepr.				
	Norm				
	Serie:		Zeichnungs-Nr.		Blatt
					von
Index	Änderung	Datum	Name	Ers.d.:	

Looking for pricing, stock, or lifecycle information?

Click below to explore more details on WIN SOURCE:

 [View 1456145 on WIN SOURCE](#)

 [Phoenix Contact](#) Information

Optimize Your Supply Chain with WIN SOURCE Solutions

-  Global Sourcing Solution
-  Obsolete Management
-  Cost Control Management
-  Shortage Management
-  Alternative Solution
-  Excess Inventory Management