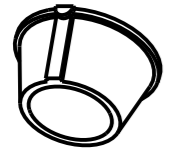


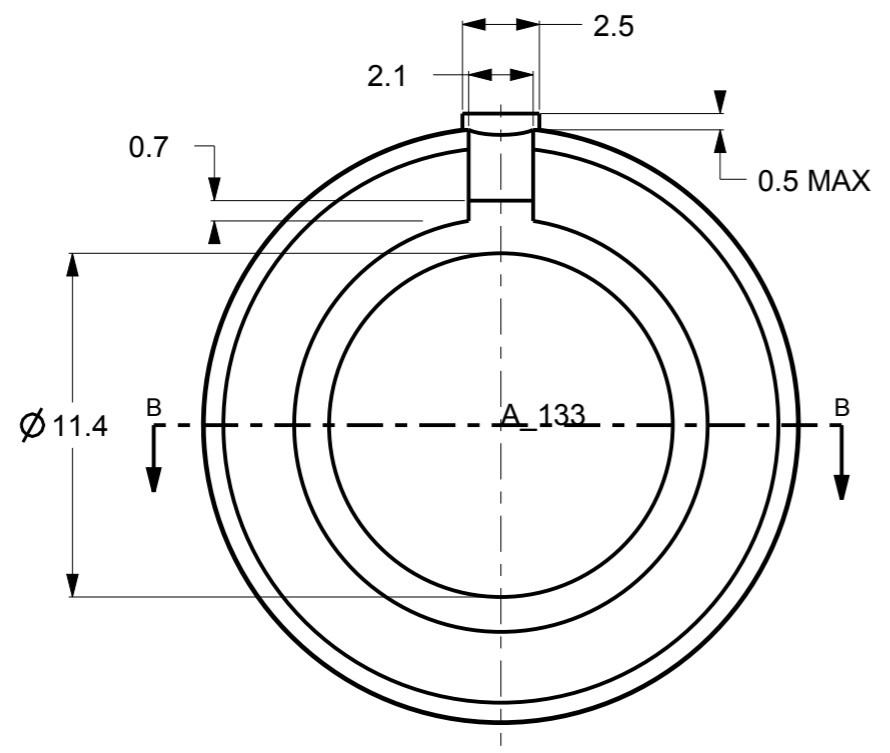
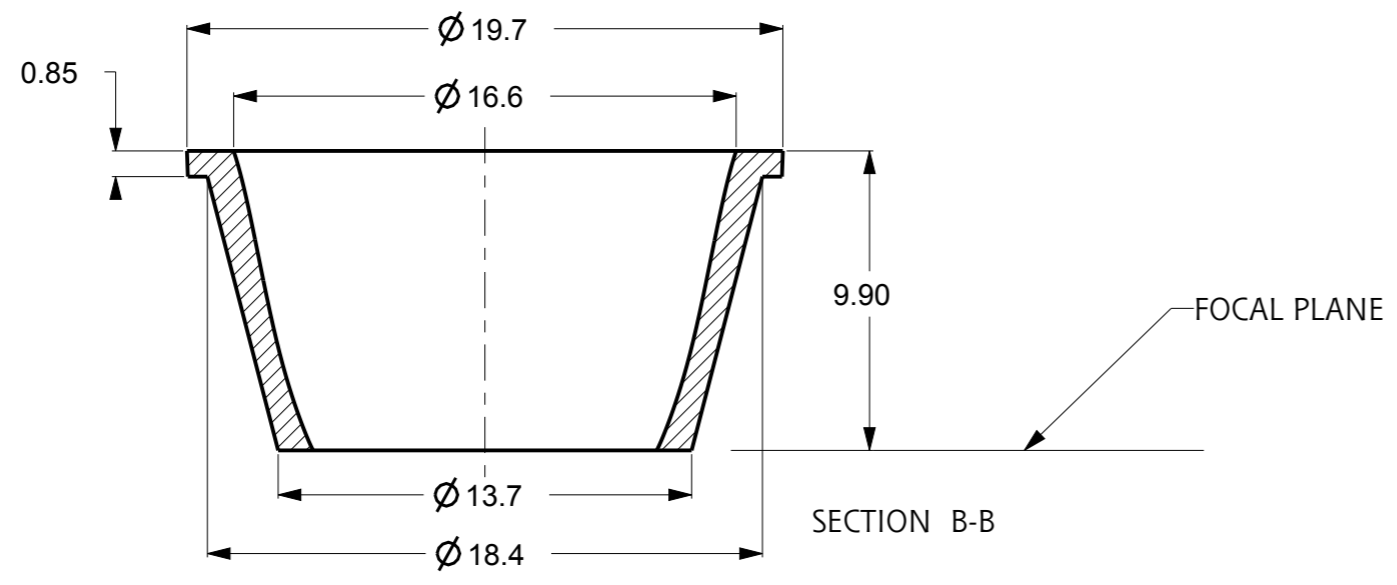


# CUSTOMER DRAWING SHEET 2 ONLY

REV.	DATE	D.C.N. NUMBER	DESCRIPTION	CHECKED BY DATE	APPROVED BY DATE
1	21/06/06		FIRST ISSUE	AB 22/06/06	AJD 26/06/06
2	29/04/10	04-10-1270	DRW DATA FILE NUMBER UPDATED	AB 05/05/10	MB 07/05/10
2A	17/11/11	11-11-1315	ADDED PART NUMBERS TABLE	PW 17/11/11	MB 22/11/11



GENERAL VIEW  
SCALE 1:1



PART NUMBER	SUBSTRATE	COATING
PP/ 10170/01	POLYCARBONATE	NONE
10170	POLYCARBONATE	ALUMINIUM
10255	POCAN	NONE



SCALE 4:1

Sheet 1 of 1

<p>technical plastics 103 BUCKINGHAM AVE, SLOUGH, BERKSHIRE, SL1 4PF, UK Tel: +44 1753 610800 Fax: +44 1753 811359 design@carclo-optics.com www.carclo-optics.com</p>	Title		80 DEG FWHM DIA 20mm REFLECTOR OPTIC		
	Customer		CARCLO		
Third Angle Projection	GENERAL TOLERANCES UNLESS OTHERWISE STATED		Material	Scale	AS SPEC.
	LINEAR	ANGULAR	SEE TABLE	DIMENSIONS IN mm	
	0 ± 0.25 0.0 ± 0.1 0.00 ± 0.05	0 ± 1° 0.0 ± 0.5° 0.00 ± 0.1°		CAD File	60426
<small>CARCLO technical plastics CONFIDENTIAL: UNAUTHORISED COPYING, DISCUSSION &amp; DISTRIBUTION PROHIBITED</small>			Format Size	A3	
			Drawn by	Part N°	10170
			AJD	60426	

## Looking for pricing, stock, or lifecycle information?

Click below to explore more details on WIN SOURCE:

-  [View 10170 on WIN SOURCE](#)
-  [Carclo Technical Plastics](#) Information

## Optimize Your Supply Chain with WIN SOURCE Solutions

-  Global Sourcing Solution
-  Obsolete Management
-  Cost Control Management
-  Shortage Management
-  Alternative Solution
-  Excess Inventory Management