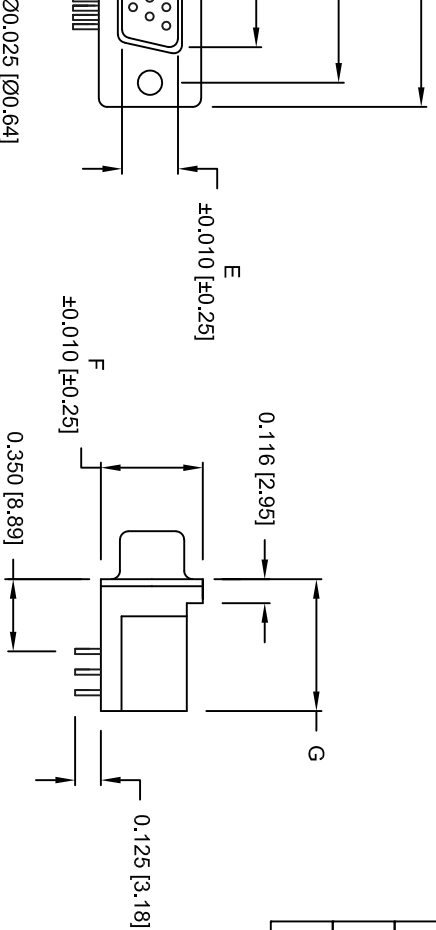




**THE DATASHEET OF**  
**181-062-113R561**



RIGHT ANGLE



DIMENSIONS (IN.)							
No. OF PINS	A	B	C	D	E	F	G
15	1.213	0.984	0.666	0.090	0.329	0.496	0.639
	30.80	24.99	16.92	2.29	8.36	12.60	16.23
26	1.543	1.312	0.994	0.090	0.329	0.496	0.639
	39.19	33.32	25.25	2.29	8.36	12.60	16.23
44	2.087	1.852	1.534	0.090	0.329	0.496	0.639
	53.00	47.04	38.96	2.29	8.36	12.60	16.23
62	2.732	2.500	2.156	0.095	0.329	0.496	0.639
	69.30	63.50	54.76	2.41	8.36	12.60	16.23

**181-YYY-113 R YY 1**

SERIES \_\_\_\_\_

POSITIONS \_\_\_\_\_

015 \_\_\_\_\_

026 \_\_\_\_\_

044 \_\_\_\_\_

062 \_\_\_\_\_

GENDER \_\_\_\_\_

1 = MALE

TERMINATION \_\_\_\_\_

1 = DIP SOLDER

SHELL PLATING \_\_\_\_\_

3 = NICKEL PLATED

RoHS COMPLIANT \_\_\_\_\_

(HIGH TEMP. PROCESS)

HARDWARE OPTIONS \_\_\_\_\_

16 =  $\varnothing$  0.120 HOLE / INSIDE GND STRAPS

17 = 4-40 INSERTS / INSIDE GND STRAPS

18 = 4-40 SCREWLOCKS / INSIDE GND STRAPS

43 =  $\varnothing$  0.120 HOLE / METAL SHELL

45 = 4-40 INSERTS / METAL SHELL

48 = 4-40 SCREWLOCKS / METAL SHELL

53 = 4-40 INSERTS / BOARDLOCKS

55 =  $\varnothing$  0.120 HOLE / BOARDLOCKS

56 = 4-40 SCREWLOCKS / BOARDLOCKS

PLATING OPTIONS \_\_\_\_\_

1 = GOLD FLASH

- 3 AMPS
- 15 MilliOhms Max.
- 1,000 MEGOhms Min. at 500 VDC
- 1,000 VAC FOR 1 MINUTE
- 250 VAC
- 55°C TO +105°C

- 1: SPCC, NICKEL PLATED
- 2: PA9T-BLACK (UL94-0)
- 3: 260°C PROCESS TEMPERATURE
- 4: BRASS, GOLD ENTIRE CONTACT
- 5: COPPER ALLOY, NICKEL PLATED
- 6: SPCC, TIN PLATED
- 7: ZINC ALLOY, NICKEL PLATED

DO NOT SCALE FROM DRAWING



THESE DRAWINGS AND SPECIFICATIONS ARE THE PROPERTY OF NorComp AND SHALL NOT BE REPRODUCED, COPIED OR USED AS THE BASIS FOR THE MANUFACTURE OR SALE OF APPARATUS WITHOUT WRITTEN PERMISSION.

DRAWN:

PAM JENKINS

DATE:

03-17-05

SCALE:

NTS

SHEET

1 OF

3

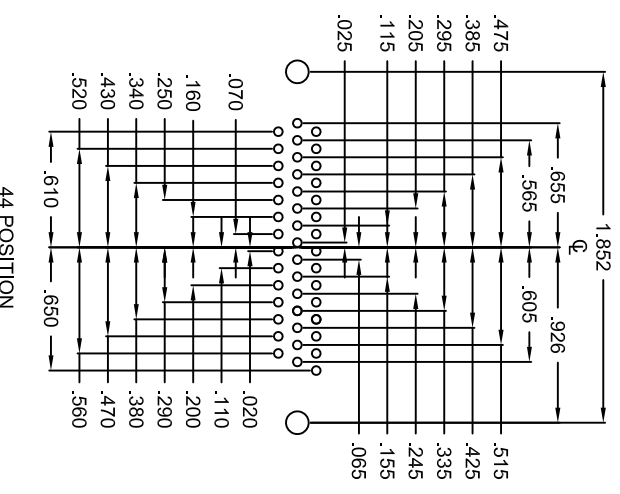
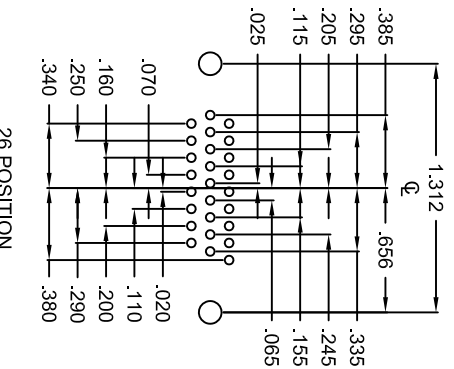
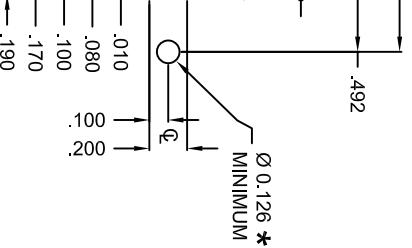
REV

15

DWG NO.

181-YYY-113 RYY1

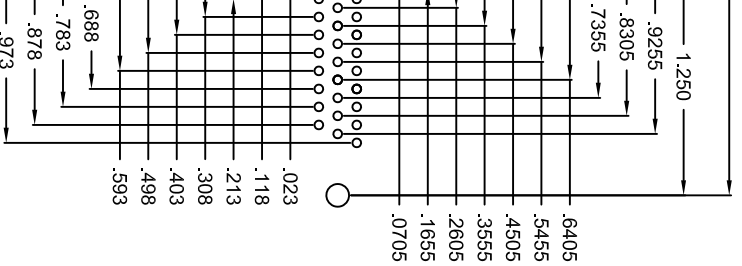
COMPLIANT



HOLE PATTERN SHOWN  
ARE FOR MALE

UNITS = Inch

\* TYP.  
SUGGESTED SIZE  
MAY NOT BE SUITABLE FOR ALL APPLICATIONS



DO NOT SCALE FROM DRAWING



THESE DRAWINGS AND SPECIFICATIONS ARE THE PROPERTY OF NorComp AND SHALL NOT BE REPRODUCED, COPIED OR USED AS THE BASIS FOR THE MANUFACTURE OR SALE OF APPARATUS WITHOUT WRITTEN PERMISSION.

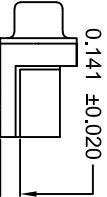
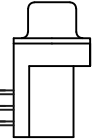
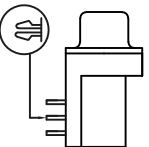
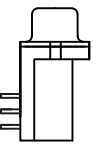
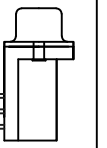
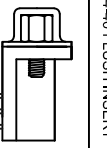
NorComp

DRAWN: PAM JENKINS DATE: 03-17-05

SCALE: NTS SHEET 2 OF 3 REV 15


DWG NO. 181-YYY-113RRY1

WARE OPTIONS

	0.141 ±0.020 METAL SHELL WITH INSIDE GROUND STRAPS		METAL SHELL		METAL SHELL FORK BOARD LOCKS
	.120" DIA. HOLE	16	43	55	
	4-40 FLUSH INSERT	17	45	53	
	4-40 HEX STANDOFF <sup>+</sup> FEMALE SCREWLOCK	18	48	56	

\*4.80mm Reference Hex Height

DO NOT SCALE FROM DRAWING

	THESE DRAWINGS AND SPECIFICATIONS ARE THE PROPERTY OF NorComp AND SHALL NOT BE REPRODUCED, COPIED OR USED AS THE BASIS FOR THE MANUFACTURE OR SALE OF APPARATUS WITHOUT WRITTEN PERMISSION.						
	DRAWN:	PAM JENKINS	DATE:	03-17-05			
SCALE:	NTS	SHEET	3	OF	3	REV	15
DWG NO.	181-YYY-113RYY1						

COMPLIANT

NorComp

## Looking for pricing, stock, or lifecycle information?

Click below to explore more details on WIN SOURCE:

 [View 181-062-113R561 on WIN SOURCE](#)

 [NorComp Inc. Information](#)

## Optimize Your Supply Chain with WIN SOURCE Solutions

-  Global Sourcing Solution
-  Obsolete Management
-  Cost Control Management
-  Shortage Management
-  Alternative Solution
-  Excess Inventory Management