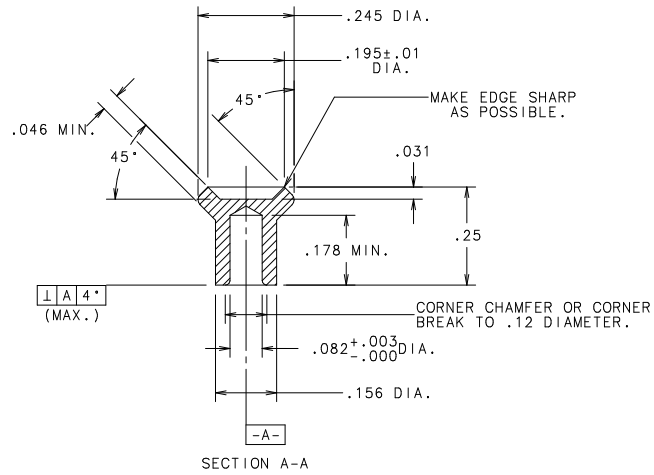




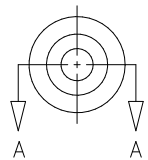
**THE DATASHEET OF**  
**904-216-001**



PART No.	FINISH SPECIFICATIONS	CONTACT RIVET
904-216	NONE - FREE OF OIL & CONTAMINANTS	N/A
904-216-001	ES-001001 NI	904-216
904-216-002	ES-001001	904-216



SECTION A-A



NOTES:

1. THIS RIVET IS SIMILAR TO 904-197 WITH EXCEPTION OF HOLE SIZE.

NO	COMPONENT NO	DESCRIPTION	QTY/M	U/M	BILL OF MATERIAL	
					MATL SPEC	FINISH
SEE CHART						
CDPIES TO		DRW	SCALE	DATE	SUPER DRW	LBS/M
1	9	18	4:1	10/12/95		
2	10	19				
3	12	20				
4	13	21				
5	14	23				
6	15	33				
7	16	43				
8	17	53				
TOLERANCE UNLESS OTHERWISE SPECIFIED TWO PLACE DEC. ±.010 FRACTION ± THREE PLACE DEC. ±.005 ANGULAR ±1°						
TITLE CONTACT RIVET						
		DESIGNS	DRWS. NO.			
		LITTELFUSE INC.	M	904-216		
		DES PLAINES, ILLINOIS 60016				

CPK DENOTES CP DIMENSIONS.-MINIMUM CP VALUE  
LSD DENOTES LSD DIMENSIONS.-MINIMUM LSD VALUE  
IND. DIM. WITH IN DIMENSIONS. INDICATIONS SHOWING DRAWING,  
AND DIM. FULLY LOCATED TO ALLOW FOR MAXIMUM TOOL LIFE.  
SPEC DENOTES A CHARACTERISTIC THAT PROVIDES AN INDICATION  
OF PROCESS PERFORMANCE. PROCEDURE FOR MEASUREMENT AND  
TOLERANCE TO BE DEFINED IN LITTELFUSE INSPECTION INSTRUCTIONS.  
UNLESS OTHERWISE SPECIFIED-DIMENSIONS DO NOT INCLUDE PLATING.

L	M	REVISION		CHK	APD
		DATE	DESCRIPTION		
		06866	RELEASED -904-216-002 & REFRAN ON CAD. 10/12/95		
		84353C	CHG PLATING TO BE OUT SOURCED 7/27/95 LDL	MP	CP

UNCONTROLLED DOCUMENT

## Looking for pricing, stock, or lifecycle information?

Click below to explore more details on WIN SOURCE:

 [View 904-216-001 on WIN SOURCE](#)

 [Littelfuse Inc. Information](#)

## Optimize Your Supply Chain with WIN SOURCE Solutions

-  Global Sourcing Solution
-  Obsolete Management
-  Cost Control Management
-  Shortage Management
-  Alternative Solution
-  Excess Inventory Management