



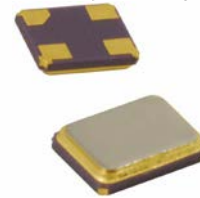
**THE DATASHEET OF
425F22A048M0000**





Model 425

Miniature Surface Mount Crystal



Part Dimensions:
2.5 x 2.0 x 0.65mm • 9.00005gm

Features

- Hermetic Ceramic Surface Mount Package
- Fundamental Crystal Design
- Frequency Range 12 – 80MHz
- Frequency Tolerance, ± 30 ppm Standard
- Frequency Stability, ± 30 ppm Standard
- Operating Temperature Range to -40°C to $+105^{\circ}\text{C}$
- Tape and Reel Packaging, EIA-481

Standard Frequencies – see Page 5 for common frequencies.
* Check with factory for availability of frequencies not listed.

Applications

- IoT and IIoT Applications
- Wireless Communications
- FPGA/Microcontrollers
- USB Interfaces
- Computer Peripherals
- Portable Equipment
- Test and Measurement
- M2M Communications
- Wearables

Description

CTS Model 425 incorporates a high Q quartz resonator and is ideal for supporting a wide range of commercial and industrial applications.

Ordering Information

Model	Mode of Oscillation	Tolerance @ +25°C	Temperature Stability/Temperature Range				Load Capacitance	Frequency [MHz]																																																																																																											
425	F	3	3				A	XXXXXXX																																																																																																											
<table border="1"> <thead> <tr> <th>Code</th> <th>Mode</th> </tr> </thead> <tbody> <tr> <td>F</td> <td>Fundamental</td> </tr> </tbody> </table>		Code	Mode	F	Fundamental	<table border="1"> <thead> <tr> <th>Code</th> <th>Tolerance</th> </tr> </thead> <tbody> <tr> <td>1</td> <td>± 10ppm</td> </tr> <tr> <td>X</td> <td>± 15ppm</td> </tr> <tr> <td>2</td> <td>± 20ppm</td> </tr> <tr> <td>Y</td> <td>± 25ppm</td> </tr> <tr> <td>3</td> <td>± 30ppm</td> </tr> </tbody> </table>		Code	Tolerance	1	± 10 ppm	X	± 15 ppm	2	± 20 ppm	Y	± 25 ppm	3	± 30 ppm	<table border="1"> <thead> <tr> <th colspan="2">-20°C to +70°C</th> <th colspan="2">-30°C to +85°C</th> <th colspan="2">-40°C to +85°C</th> <th colspan="2">-40°C to +105°C</th> </tr> <tr> <th>Code</th> <th>Stability</th> <th>Code</th> <th>Stability</th> <th>Code</th> <th>Stability</th> <th>Code</th> <th>Stability</th> </tr> </thead> <tbody> <tr> <td>1</td> <td>± 10ppm</td> <td>R</td> <td>± 10ppm</td> <td>-</td> <td>-</td> <td>-</td> <td>-</td> </tr> <tr> <td>X</td> <td>± 15ppm</td> <td>Y</td> <td>± 15ppm</td> <td>W</td> <td>± 15ppm</td> <td>-</td> <td>-</td> </tr> <tr> <td>2</td> <td>± 20ppm</td> <td>N</td> <td>± 20ppm</td> <td>6</td> <td>± 20ppm</td> <td>-</td> <td>-</td> </tr> <tr> <td>3</td> <td>± 30ppm</td> <td>4</td> <td>± 30ppm</td> <td>7</td> <td>± 30ppm</td> <td>T</td> <td>± 30ppm</td> </tr> <tr> <td>5</td> <td>± 50ppm</td> <td>8</td> <td>± 50ppm</td> <td>9</td> <td>± 50ppm</td> <td>V</td> <td>± 50ppm</td> </tr> </tbody> </table>				-20°C to +70°C		-30°C to +85°C		-40°C to +85°C		-40°C to +105°C		Code	Stability	Code	Stability	Code	Stability	Code	Stability	1	± 10 ppm	R	± 10 ppm	-	-	-	-	X	± 15 ppm	Y	± 15 ppm	W	± 15 ppm	-	-	2	± 20 ppm	N	± 20 ppm	6	± 20 ppm	-	-	3	± 30 ppm	4	± 30 ppm	7	± 30 ppm	T	± 30 ppm	5	± 50 ppm	8	± 50 ppm	9	± 50 ppm	V	± 50 ppm	<table border="1"> <thead> <tr> <th>Code</th> <th>Capacitance</th> <th>Code</th> <th>Capacitance</th> </tr> </thead> <tbody> <tr> <td>K</td> <td>8pF</td> <td>D</td> <td>18pF</td> </tr> <tr> <td>J</td> <td>9pF</td> <td>E</td> <td>20pF</td> </tr> <tr> <td>A</td> <td>10pF</td> <td>F</td> <td>24pF</td> </tr> <tr> <td>L</td> <td>12pF</td> <td>G</td> <td>30pF</td> </tr> <tr> <td>B</td> <td>13pF</td> <td>S</td> <td>Series</td> </tr> <tr> <td>C</td> <td>16pF</td> <td></td> <td></td> </tr> </tbody> </table>		Code	Capacitance	Code	Capacitance	K	8pF	D	18pF	J	9pF	E	20pF	A	10pF	F	24pF	L	12pF	G	30pF	B	13pF	S	Series	C	16pF			<table border="1"> <thead> <tr> <th>Code</th> <th>Frequency</th> </tr> </thead> <tbody> <tr> <td colspan="2">Frequency¹</td> </tr> </tbody> </table>		Code	Frequency	Frequency ¹	
Code	Mode																																																																																																																		
F	Fundamental																																																																																																																		
Code	Tolerance																																																																																																																		
1	± 10 ppm																																																																																																																		
X	± 15 ppm																																																																																																																		
2	± 20 ppm																																																																																																																		
Y	± 25 ppm																																																																																																																		
3	± 30 ppm																																																																																																																		
-20°C to +70°C		-30°C to +85°C		-40°C to +85°C		-40°C to +105°C																																																																																																													
Code	Stability	Code	Stability	Code	Stability	Code	Stability																																																																																																												
1	± 10 ppm	R	± 10 ppm	-	-	-	-																																																																																																												
X	± 15 ppm	Y	± 15 ppm	W	± 15 ppm	-	-																																																																																																												
2	± 20 ppm	N	± 20 ppm	6	± 20 ppm	-	-																																																																																																												
3	± 30 ppm	4	± 30 ppm	7	± 30 ppm	T	± 30 ppm																																																																																																												
5	± 50 ppm	8	± 50 ppm	9	± 50 ppm	V	± 50 ppm																																																																																																												
Code	Capacitance	Code	Capacitance																																																																																																																
K	8pF	D	18pF																																																																																																																
J	9pF	E	20pF																																																																																																																
A	10pF	F	24pF																																																																																																																
L	12pF	G	30pF																																																																																																																
B	13pF	S	Series																																																																																																																
C	16pF																																																																																																																		
Code	Frequency																																																																																																																		
Frequency ¹																																																																																																																			

Notes:

1] Frequency is recorded with 3 leading digits before the "M" and 4 significant digits after the "M" [including zeroes]. Frequencies that have significant digits after the "M" that exceed the 4 digits. The remaining digits will be truncated from the CTS part number, but the factory will calibrate to the full frequency desired. Examples below; P/N Frequency = Actual Frequency

13M5537 = 13.553750MHz

14M3181 = 14.318180MHz

16M6666 = 16.666670MHz

28M6363 = 28.636360MHz

**Not all performance combinations and frequencies may be available.
Contact your local CTS Representative or CTS Customer Service for availability.**

This product is specified for use only in standard commercial applications. Supplier disclaims all express and implied warranties and liability in connection with any use of this product in any non-commercial applications or in any application that may expose the product to conditions that are outside of the tolerances provided in its specification.



Electrical Specifications

Operating Conditions

PARAMETER	SYMBOL	CONDITIONS	MIN	TYP	MAX	UNIT
Operating Temperature	T_A	-	-20		+70	°C
			-30	+25	+85	
			-40		+85	
			-40		+105	
Storage Temperature	T_{STG}	-	-40	-	+125	°C

Frequency Stability

PARAMETER	SYMBOL	CONDITIONS	MIN	TYP	MAX	UNIT
Frequency Range	f_o	-		12 - 80		MHz
Frequency Tolerance	$\Delta f/f_o$	@ +25°C		10, 15, 20, 25 or 30		±ppm
Frequency Stability	$\Delta f/f_{25}$	Referenced to +25°C reading		10, 15, 20, 25, 30 or 50		±ppm
Aging	$\Delta f/f_o$	Typical per year @ +25°C	-3	-	3	ppm

Crystal Parameters

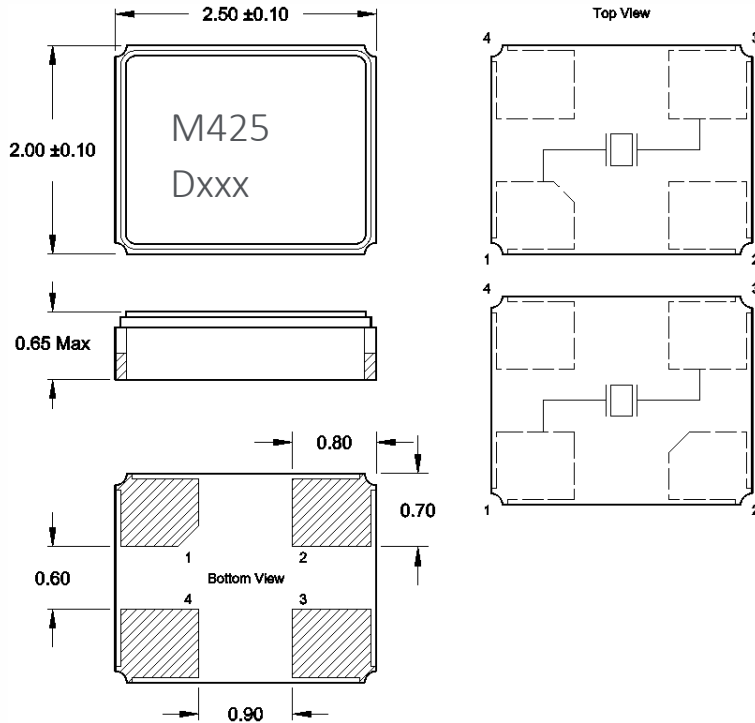
PARAMETER	SYMBOL	CONDITIONS	MIN	TYP	MAX	UNIT
Operating Mode	-	-		Fundamental		-
Crystal Cut	-	-		AT-Cut Strip		-
Load Capacitance	C_L	-		See Ordering Information		pF
Shunt Capacitance	C_o	-	-	1.0	3.0	pF
Series Resistance						
Fundamental	R_1	12MHz - <16MHz	-	-	150	Ω
		16MHz - <22MHz	-	-	100	
		22MHz - <30MHz	-	-	80	
		30MHz - <36MHz	-	-	60	
		36MHz - 80MHz	-	-	50	
Drive Level	DL	-	-	10	200	μW
Insulation Resistance	R_i	+100Vdc ±15Vdc	500	-	-	MΩ

$\Delta f/f_o$ - Frequency deviation referenced to nominal frequency.

$\Delta f/f_{25}$ - Frequency deviation over operating temperature range, referenced to +25°C frequency.

Mechanical Specifications

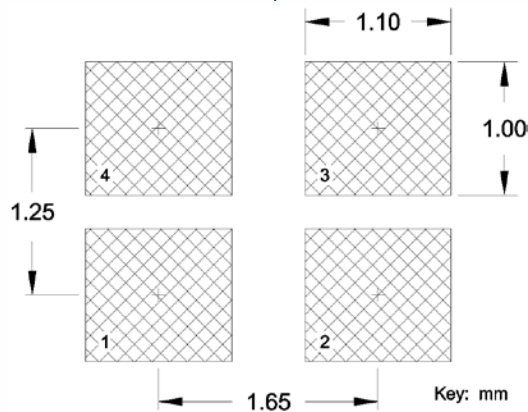
Package Drawing



Marking Information

1. M425 – CTS Model series.
2. D – Date code. See Table I for codes.
3. xxx – Frequency code, 3-digits frequencies below 100MHz.
[See document 016-1454-0, Frequency Code Tables].

Recommended Pad Layout



Notes

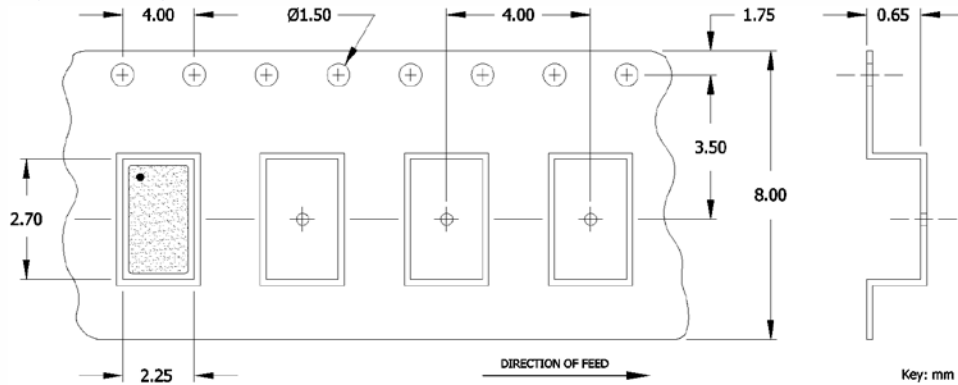
1. JEDEC termination code (e4). Barrier-plating is nickel [Ni] with gold [Au] flash plate.
2. Terminations #2, #4 and the metal lid are connected internally. End user may connect these pins to circuit ground for EMI suppression.
3. Due to package variability, the pad chamfer on the bottom could be located on Pin 1 or 2 in a given lot. Layout orientation should be based on the top view [marking side], as indicated in package drawing. The chamfer location does not affect the electrical performance of the device.
4. Reflow conditions per JEDEC J-STD-020; $+260^{\circ}\text{C}$ maximum, 20 seconds.
5. MSL = 1.

Table I – Date Code, Beginning year 2021

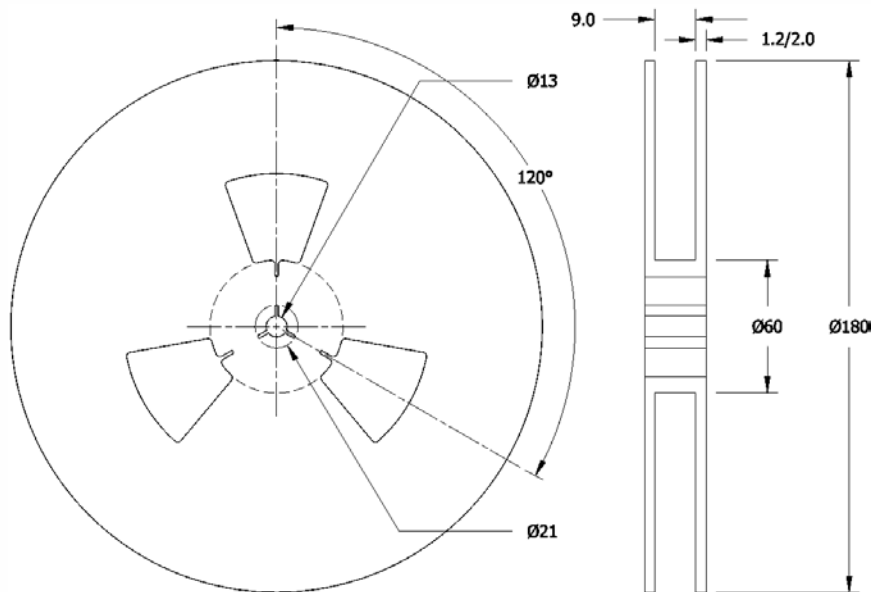
MONTH					YEAR											
					JAN	FEB	MAR	APR	MAY	JUN	JUL	AUG	SEP	OCT	NOV	DEC
2021	2025	2029	2033	2037	A	B	C	D	E	F	G	H	J	K	L	M
2022	2026	2030	2034	2038	N	P	Q	R	S	T	U	V	W	X	Y	Z
2023	2027	2031	2035	2039	a	b	c	d	e	f	g	h	j	k	l	m
2024	2028	2032	2036	2040	n	p	q	r	s	t	u	v	w	x	y	z

Packaging – Tape and Reel

Tape Drawing



Reel Drawing



Notes

1. Device quantity is 1k pieces minimum and 3k pieces maximum per 180mm reel.
2. Complete CTS part number, frequency value, date code and manufacturing site code information must appear on reel and carton labels.



Addendum

Common Frequencies and Frequency Codes – MHz

Common Wireless Frequencies		Additional Frequencies					
FREQUENCY	FREQUENCY CODE	FREQUENCY	FREQUENCY CODE	FREQUENCY	FREQUENCY CODE	FREQUENCY	FREQUENCY CODE
16.000000	160	16.367600	16E	26.041660	26F	39.062500	39A
19.200000	192	16.384000	163	27.000000	270	41.600000	41C
20.000000	200	16.666700	16N	28.224000	282	44.000000	440
24.000000	240	16.800000	168	28.322000	28C	45.000000	450
25.000000	250	16.934400	169	28.375000	283	49.152000	491
26.000000	260	18.000000	180	28.636360	286	50.000000	500
27.120000	271	18.432000	184	29.491200	29B	54.000000	540
30.000000	300	19.440000	194	30.400000	304		
32.000000	320	19.660800	19B	30.720000	307		
37.400000	374	19.680000	196	31.250000	312		
38.400000	384	20.480000	204	32.768000	327		
40.000000	400	20.736000	207	33.000000	330		
48.000000	480	22.118400	221	33.330000	333		
52.000000	520	22.579200	225	33.333000	33E		
		24.305000	243	33.333300	33A		
		24.545400	24F	33.868800	338		
		24.545454	24G	35.328000	353		
		24.553500	24B	36.000000	360		
		24.576000	24C	38.000000	380		
		25.000625	25A	38.880000	388		

Looking for pricing, stock, or lifecycle information?

Click below to explore more details on WIN SOURCE:

- ⊖ [View 425F22A048M0000](#) on WIN SOURCE
- ⊖ [CTS-Frequency Controls](#) Information

Optimize Your Supply Chain with WIN SOURCE Solutions

- ✓ Global Sourcing Solution
- ✓ Obsolete Management
- ✓ Cost Control Management
- ✓ Shortage Management
- ✓ Alternative Solution
- ✓ Excess Inventory Management