



THE DATASHEET OF
971-015-030R121



CKSHELL

971-YYY-030R121

SERIES _____
POSITIONS _____

009
015
025
037

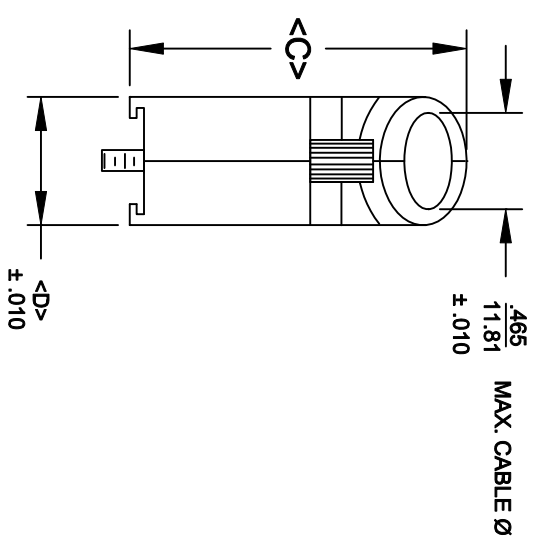
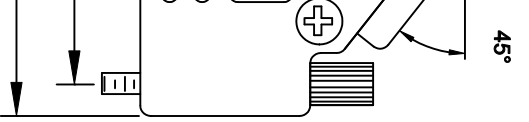
MATERIAL _____
030 = ZINC

COLOR: _____
12 = NICKEL OVER COPPER

PUT-UPS _____
1 = KIT

S
Ø0.354 [9.01]

CREW



POS.	A	B	C	D
9	1.220	.984	1.496	.570
	30.99	24.99	38.00	14.48
15	1.595	1.312	1.618	.570
	40.51	33.32	41.10	14.48
25	2.114	1.852	1.646	.570
	53.70	47.04	41.81	14.48
37	2.748	2.500	1.646	.570
	69.80	63.50	41.81	14.48

ROHS COMPLIANT



THESE DRAWINGS AND SPECIFICATIONS ARE THE PROPERTY OF NorComp AND SHALL NOT BE REPRODUCED, COPIED OR USED AS THE BASIS FOR THE MANUFACTURE OR SALE OF APPARATUS WITHOUT WRITTEN PERMISSION.

DRAWN: **PAM JENKINS** DATE: **6-10-05**

CHECKED: _____ DATE: _____

SCALE SHEET 1 OF 1 REV 8

NorComp

DWG NO. 971-YYY-030R121

Looking for pricing, stock, or lifecycle information?

Click below to explore more details on WIN SOURCE:

 [View 971-015-030R121 on WIN SOURCE](#)

 [NorComp Inc. Information](#)

Optimize Your Supply Chain with WIN SOURCE Solutions

-  Global Sourcing Solution
-  Obsolete Management
-  Cost Control Management
-  Shortage Management
-  Alternative Solution
-  Excess Inventory Management