



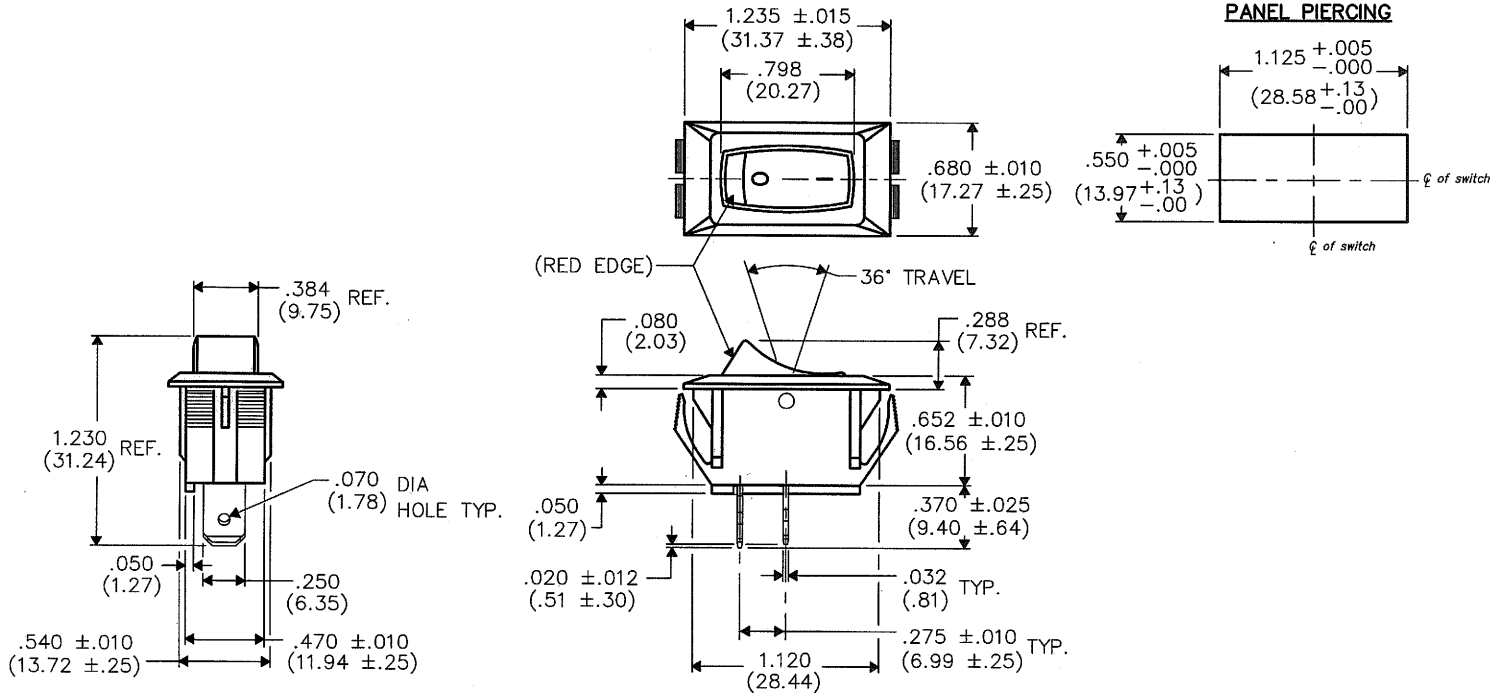
**THE DATASHEET OF  
NAA-111-BI21-00**



DIMENSIONS IN INCHES (MILLIMETERS)  
DO NOT SCALE DRAWING .....

Dwg. No.  
**NAA-111-BI21-00**

E  
D  
C  
B  
A



1	2	3	4	5	6	7	8	9	10
<b>REVISIONS</b> 0 RELEASED 8-13-2008 DGM AUG 15 2008							<b>CW INDUSTRIES</b> Southampton, Pa. 18966 TOLERANCES UNLESS OTHERWISE SPECIFIED: 2 Place Decimal ±.010 METRIC 3 Place Decimal ±.005 1 Place Dec. ±.25mm Angles ..... ±1° 2 Place Dec. ±.13mm		Title: <b>INDICON UNIBODY SWITCH ASSEMBLY</b> 1.125" x .550" PANEL
Made for: CW IND. Drawn by: DGM 8-13-2008 Checked by: G. Gold 8-14-08 Approval: G. Gold 8-14-08							Division: <b>SWITCH</b> Dwg. No. <b>NAA-111-BI21-00</b>		

**MASTER**

## Looking for pricing, stock, or lifecycle information?

Click below to explore more details on WIN SOURCE:

 [View NAA-111-BI21-00 on WIN SOURCE](#)

 [CW Industries Information](#)

## Optimize Your Supply Chain with WIN SOURCE Solutions

-  Global Sourcing Solution
-  Obsolete Management
-  Cost Control Management
-  Shortage Management
-  Alternative Solution
-  Excess Inventory Management