

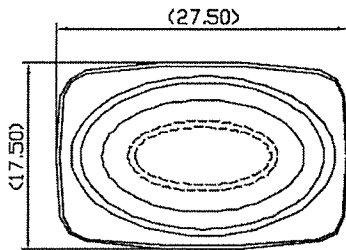


**THE DATASHEET OF  
GRB278B802BR1**

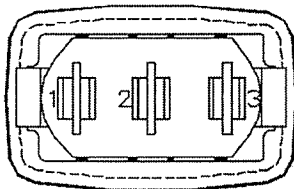
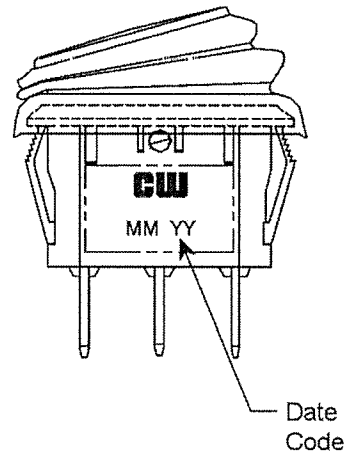
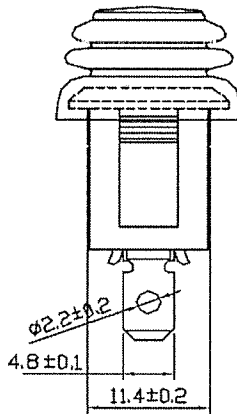
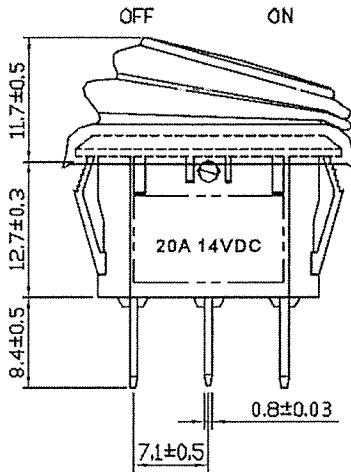


THIS INFORMATION IS CONFIDENTIAL AND PROPRIETARY TO CW INDUSTRIES INCORPORATED AND ITS AFFILIATES. IT MAY NOT BE DISCLOSED TO ANYONE, OTHER THAN CW INDUSTRIES PERSONNEL, WITHOUT WRITTEN AUTHORIZATION FROM CW INDUSTRIES INCORPORATED, SOUTHAMPTON, PENNSYLVANIA USA.

Rating	20A 14VDC	Mounting Hole		Circuit Diagram
Contact Resistance	50m ohm Max.			
Insulation Resistance	DC 500V 100M ohm Min.	Thickness	X	Y
Dielectric Strength	AC 1500V 1 minute	0.75..1.5	23.3+0.1	11.6+0.1
Operation Temperature	25°C~85°C	1.5..2.5	23.6+0.1	11.6+0.1
Switch Function	3P SPST ON - OFF Lamp Dependent			
Lamp Type	LED 12VDC 14V w/resistor			



\*MATERIAL:  
 Frame: Black, Nylon 66 (94-V2)  
 Actuator: Red, PC clear (94-V2)  
 Waterproof Rubber: Black, Silicone  
 Printed: None  
 \*Waterproof: IP65



Tolerances +/-0.3 Unless Otherwise Specified.  
 RoHS Compliant

2	4.8+/-0.1 Was 4.75+/-0.1 & 0.8+/-0.03 was 0.8+/-0.08. 11-7-16
1	Added Dependent to function & Lamp Type. 3/22/12.

**CW INDUSTRIES**  
 Southampton, Pa. 18966  
 Tel 215.355.7080/www.cwind.com

Date Drawn: 2/06/09

Rev. 2

Unit: mm

Checked By: *G. Guld*

Title: **ROCKER SWITCH**

CW P/N: **GRB278B802BR1**

## Looking for pricing, stock, or lifecycle information?

Click below to explore more details on WIN SOURCE:

 [View GRB278B802BR1 on WIN SOURCE](#)

 [CW Industries Information](#)

## Optimize Your Supply Chain with WIN SOURCE Solutions

-  Global Sourcing Solution
-  Obsolete Management
-  Cost Control Management
-  Shortage Management
-  Alternative Solution
-  Excess Inventory Management