



**THE DATASHEET OF
S811-1X1T-03-F**



THE INFORMATION CONTAINED HEREIN IS CONSIDERED "PROPRIETARY" TO BEL FUSE INC. AND SHALL NOT BE COPIED, REPRODUCED OR DISCLOSED WITHOUT THE WRITTEN APPROVAL OF BEL FUSE INC.

ELECTRICAL CHARACTERISTICS @ 25°C

URNS RATIO

TX 1CT : 1
RX 1CT : 1

DCL @ 100kHz/100mVRMS
8mA DC BIAS

350µH MIN.

INS. LOSS

1MHZ TO 100MHZ

-1.0 dB MAX

RET. LOSS (MIN)

1MHZ-30MHZ

-18 dB

30MHZ-60MHZ

-18+20LOG(F/30MHZ) dB

60MHZ-80MHZ

-12 dB

CROSS TALK (TX - RX)

500kHz-1MHZ

-70 dB MIN

10 MHZ

-50 dB MIN

30 MHZ

-45 dB MIN

50 MHZ

-40 dB MIN

100 MHZ

-35 dB MIN

CM TO CM REJ

100kHz-1MHZ

-70 dB MIN

10 MHZ

-47 dB MIN

30 MHZ

-42 dB MIN

60 MHZ

-37 dB MIN

100 MHZ

-30 dB MIN

CM TO DM REJ

100kHz-1MHZ

-70 dB MIN

10 MHZ

-60 dB MIN

30 MHZ

-50 dB MIN

60 MHZ

-45 dB MIN

100 MHZ

-40 dB MIN

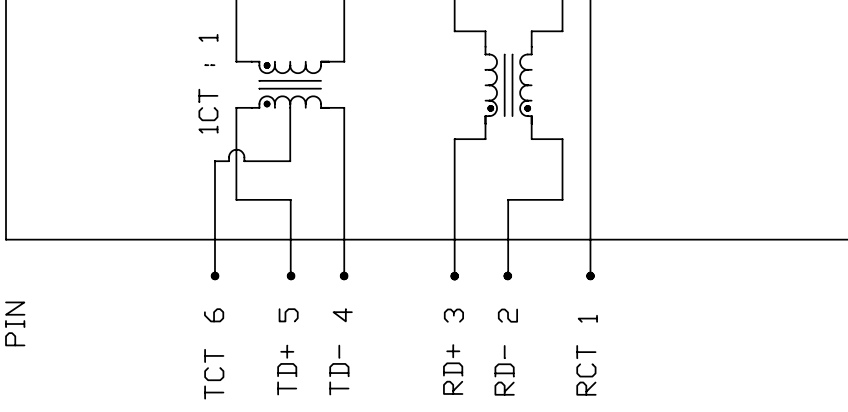
HIPOT (Isolation Voltage):

100% OF PRODUCTION TESTED TO COMPLY WITH

IEEE 802.3 ISOLATION REQUIREMENTS.

1500 Vrms or 2250VDC

PIN

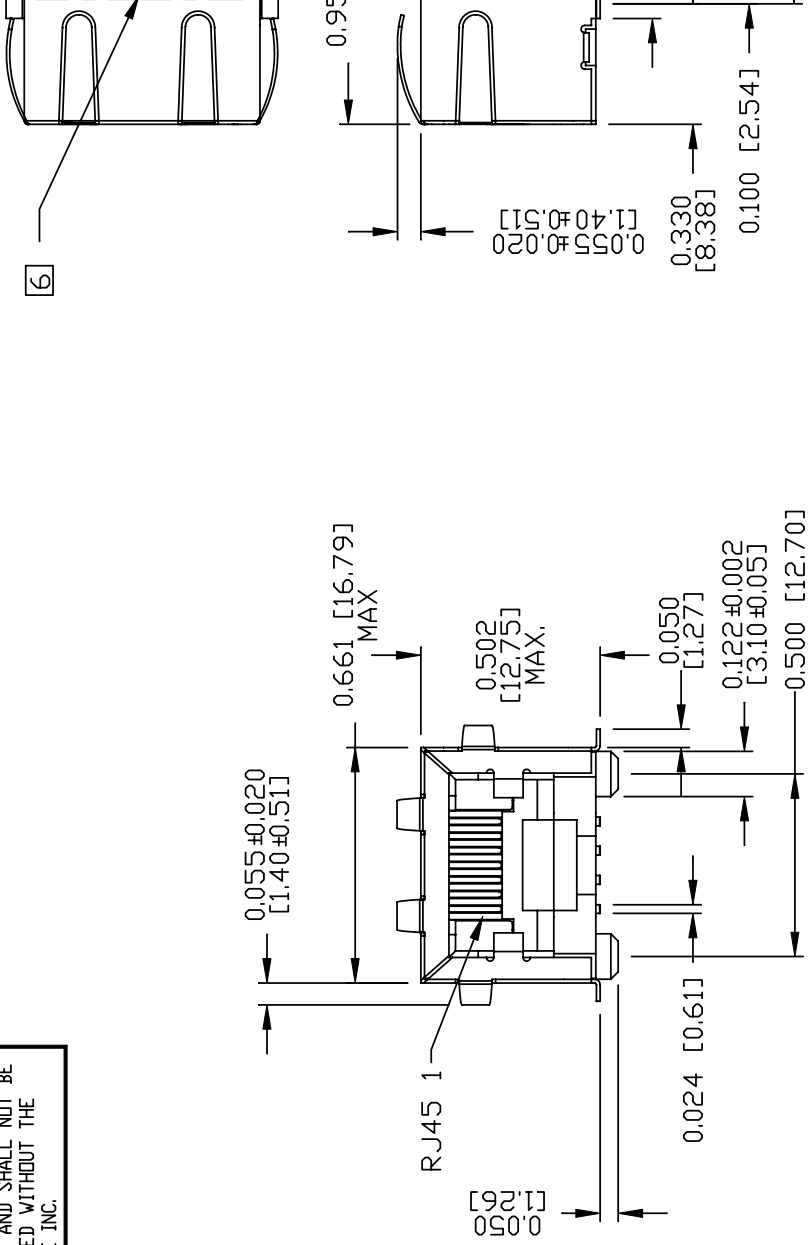


ORIGINATED BY CHOW WANCHUNG	DATE 2012-07-27	TITLE SMD MoGJack ® (CM Termination) S811-1X1T-03-F PATENTED	PART NO. / DRAWING NO. S811X1T03-F	STANDARD DIM TOL. IN INCH
DRAWN BY TAN QIGUANG	DATE 2012-07-27		FILE NAME S811X1T03-F_C.DWG	.X .XX .XXX

DC002(2)081111

This document is electronically generated. This is a controlled copy if used.

THE INFORMATION CONTAINED HEREIN IS CONSIDERED 'PROPRIETARY' TO BEL FUSE INC. AND SHALL NOT BE COPIED, REPRODUCED OR DISCLOSED WITHOUT THE WRITTEN APPROVAL OF BEL FUSE INC.



NOTES:

1. PLASTIC HOUSING: THERMOPLASTIC PA & THERMOSET PHENOLIC. FLAMMABILITY RATING UL 94V-0
2. CONTACTS PLATING: 50 MICRO-INCH HARD GOLD PLATING OR EQUIVALENT.
3. PINS: TIN-COATED COPPER WIRE, 0.024 [0.6] X 0.012 [0.3] THK,
4. METAL SHIELD: NICKEL PLATED COPPER ALLOY.
5. JACK CAVITY CONFORMS TO FCC RULES AND REGULATIONS.

6. MARK PART WITH MFG LOGO, MFG NAME, PART NUMBER, DATE CODE AND PATENTED.

7. THE PRODUCT IS ROHS
8. THE PRODUCT IS PATENTED

USUL RECOGNIZED - FILE #E196366 AND E169987. U.S. PAT. 5,736,910.

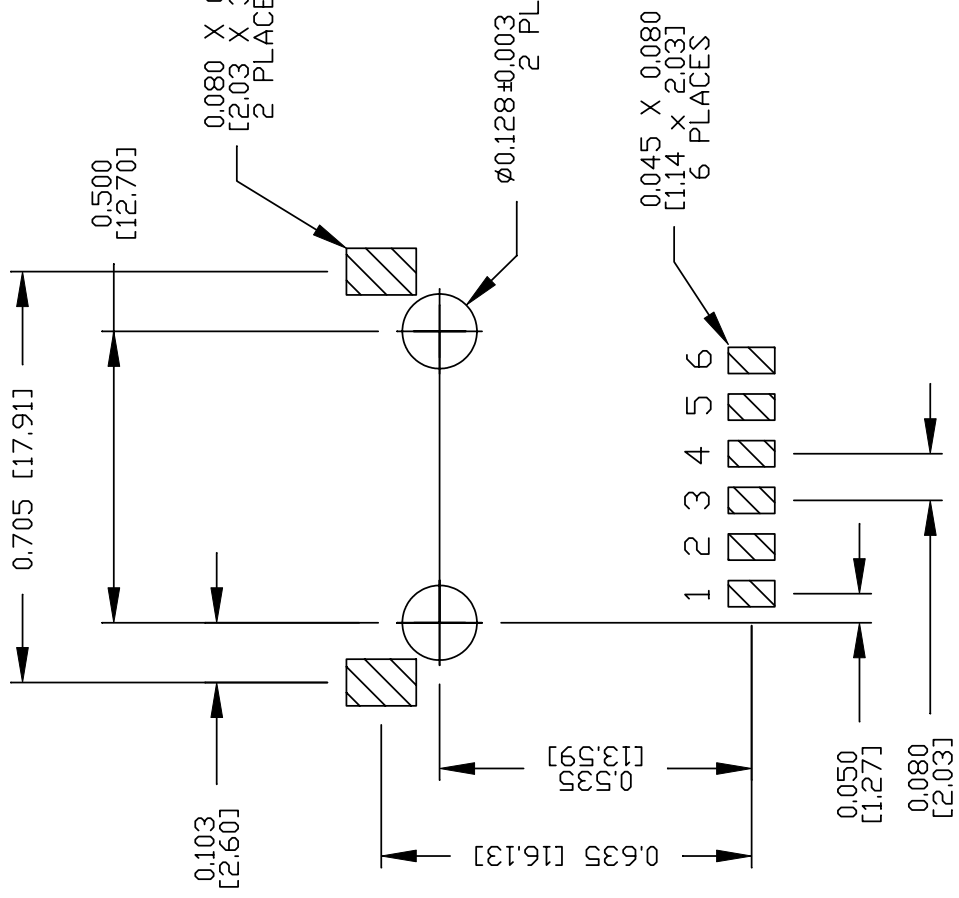
ORIGINATED BY ANTON LIAO	DATE 2012-07-27	TITLE SMD MagJack® (CM Termination) S811-1X1T-03-F PATENTED	PART NO. / DRAWING NO. S811X1T03-F	STANDARD DIM TOL. IN INCH .X .XX .XXX #0.010
DRAWN BY HE ZHEN	DATE 2012-07-27		FILE NAME S811X1T03-F_C.DWG	

DC002(2)081111

This document is electronically generated. This is a controlled copy if use

THE INFORMATION CONTAINED HEREIN IS CONSIDERED
 'PROPRIETARY' TO BEL FUSE INC. AND SHALL NOT BE
 COPIED, REPRODUCED OR DISCLOSED WITHOUT THE
 WRITTEN APPROVAL OF BEL FUSE INC.

RECOMMENDED PCB FOOTPRINT
 COMPONENT SIDE VIEW



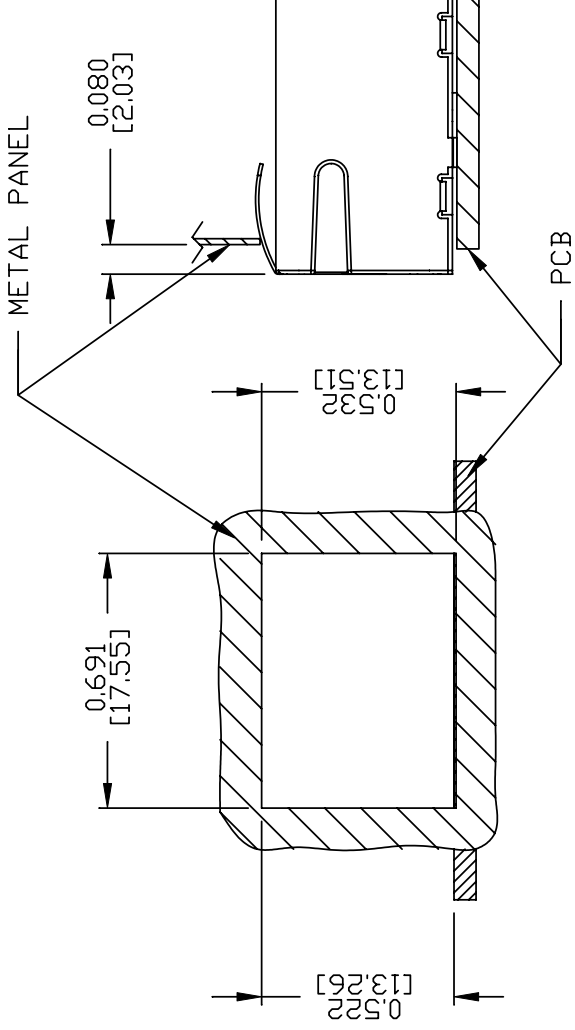
ORIGINATED BY ANTON LIAD	DATE 2012-07-27	TITLE SMD MagJack ® (CM Termination) S811-1X1T-03-F PATENTED	PART NO. / DRAWING NO. S811X1T03-F	STANDARD DIM TOL. IN INCH
DRAWN BY HE ZHEN	DATE 2012-07-27		FILE NAME S811X1T03-F_C.DWG	.X .XX .XXX #0.00

DC002(2)081111

This document is electronically generated. This is a controlled copy if used.

THE INFORMATION CONTAINED HEREIN IS CONSIDERED 'PROPRIETARY' TO BEL FUSE INC. AND SHALL NOT BE COPIED, REPRODUCED OR DISCLOSED WITHOUT THE WRITTEN APPROVAL OF BEL FUSE INC.

SUGGESTED PANEL OPENING



NOTES:

THE DISTANCE OF PANEL INSIDE SURFACE RELATIVE TO FRONT SURFACE OF PART IS ONLY A SUGGESTION. IN CASE THIS DISTANCE IS DIFFERENT, THE REQUIRED PANEL OPENING DIMENSIONS CHANGE ACCORDINGLY.

ORIGINATED BY ANTON LIAD	DATE 2012-07-27	TITLE SMD MagJack® (CM Termination) S811-1X1T-03-F PATENTED	PART NO. / DRAWING NO. S811X1T03-F	STANDARD DIM TOL. IN INCH .X .XX .XXX
DRAWN BY HE ZHEN	DATE 2012-07-27		FILE NAME S811X1T03-F_C.DWG	TOL. IN INCH #0.00

DC002(2)081111

This document is electronically generated. This is a controlled copy if used.

Looking for pricing, stock, or lifecycle information?

Click below to explore more details on WIN SOURCE:

 [View S811-1X1T-03-F on WIN SOURCE](#)

 [Bel Fuse Inc. Information](#)

Optimize Your Supply Chain with WIN SOURCE Solutions

-  Global Sourcing Solution
-  Obsolete Management
-  Cost Control Management
-  Shortage Management
-  Alternative Solution
-  Excess Inventory Management