



**THE DATASHEET OF**  
**189-009-613R491**



D-SUB - MALE OVER MALE

25 PIN  
SHOWN

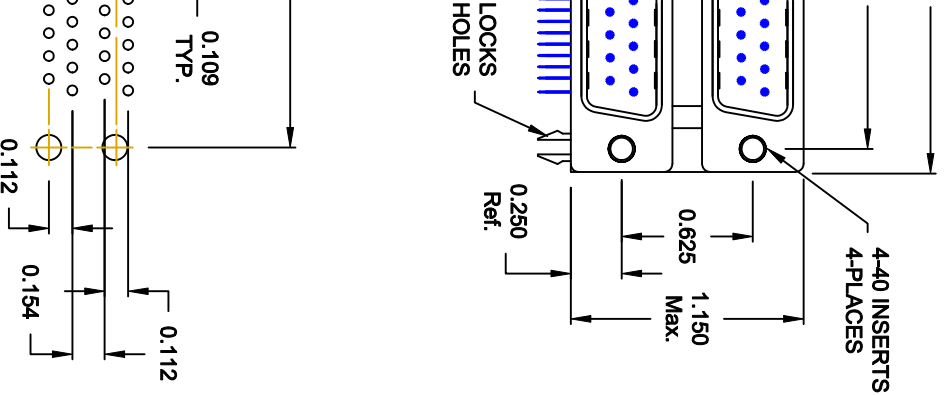
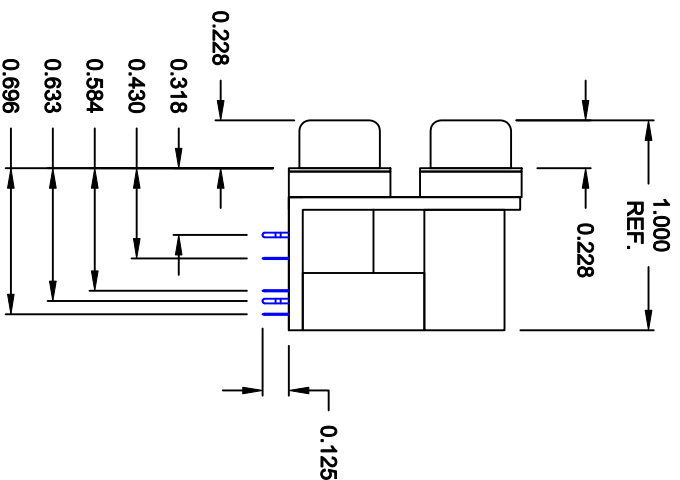
DIMENSIONS (IN.)				
9	15	25	37	
A	1.204	1.535	2.078	2.724
B	0.984	1.312	1.850	2.500
C	0.494	0.494	0.494	0.494

**SPECIFICATION:**

**MATERIAL:** SHELL: STEEL, NICKEL PLATED  
INSULATOR: UL 94V-0 RATED, BLACK PA9T,  
260° PROCESS TEMP.  
**CONTACTS:** BRASS  
**CONTACT PLATING:** GOLD PLATED ENTIRE CONTACT

**ELECTRICAL:**  
INSULATOR RESISTANCE: 1,000 Ohms Min.  
DIELECTRIC STRENGTH: 1,000V/AC RMS  
CURRENT RATING: 5 AMPS  
OPERATING TEMPERATURE: -55° C TO 105° C

**189-YYY-613R491**



**DO NOT SCALE FROM DRAWING**

**SERIES POSITIONS**  
009  
015  
025  
037

**GENDER**  
31 = FEMALE OVER MALE  
41 = FEMALE OVER FEMALE  
51 = FEMALE OVER FEMALE  
61 = MALE OVER MALE

**SHELL PLATING**  
3 = NICKEL

**ROHS COMPLIANT (HIGH TEMP. PROCESS)**

**HARDWARE OPTIONS**  
49 = 4-40 INSERTS/BOARD LOCKS

**PLATING OPTIONS**  
1 = GOLD FLASH (ENTIRE CONTACT)  
A = 30u" GOLD MATING AREA/GOLD FLASH TAILS  
9 = 30u" GOLD MATING AREA/TIN TAILS

**THESE DRAWINGS AND SPECIFICATIONS ARE THE PROPERTY OF NorComp AND SHALL NOT BE REPRODUCED, COPIED OR USED AS THE BASIS FOR THE MANUFACTURE OR SALE OF APPARATUS WITHOUT WRITTEN PERMISSION.**

**DRAWN:** C. SMITH  
**DATE:** 03-30-07

**CHECKED:**  
**DATE:**

**SCALE:** 1:1  
**SHEET** 1 **OF** 1  
**REV** 6

COMPLIANT

NorComp

DWG NO. 189-YYY-613R491

## Looking for pricing, stock, or lifecycle information?

Click below to explore more details on WIN SOURCE:

 [View 189-009-613R491 on WIN SOURCE](#)

 [NorComp Inc. Information](#)

## Optimize Your Supply Chain with WIN SOURCE Solutions

-  Global Sourcing Solution
-  Obsolete Management
-  Cost Control Management
-  Shortage Management
-  Alternative Solution
-  Excess Inventory Management