

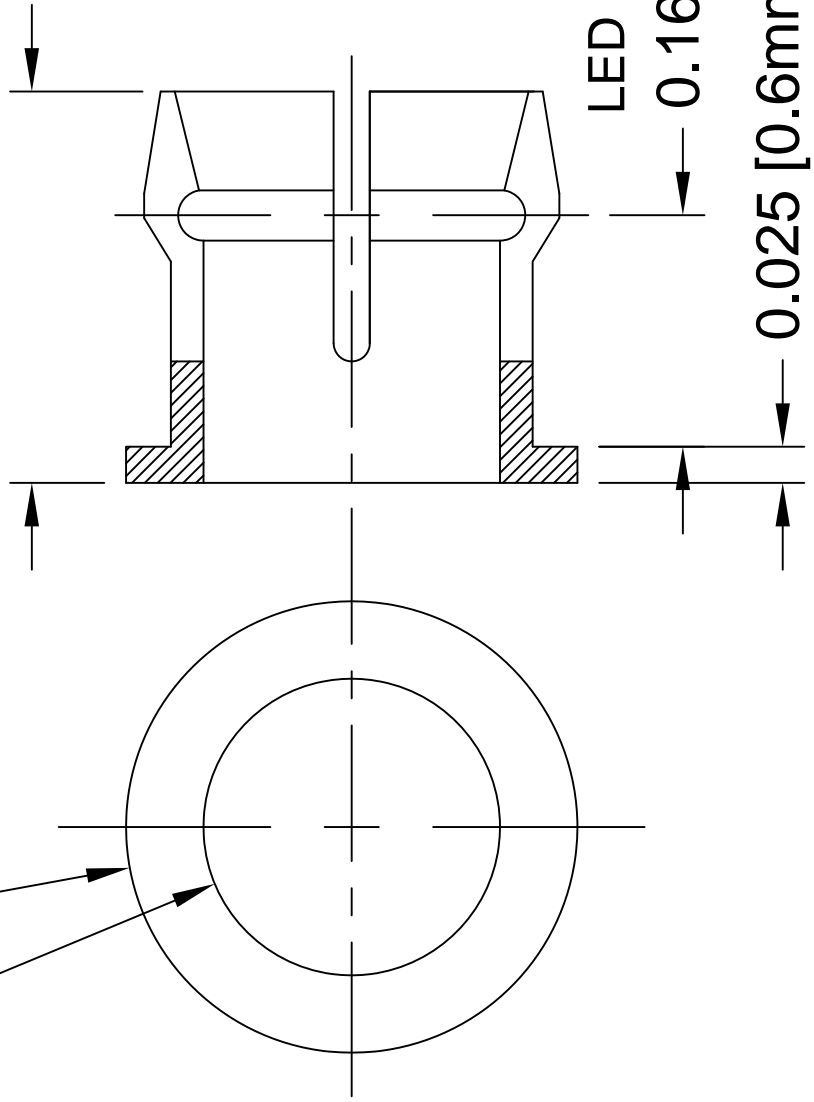


THE DATASHEET OF C-175



REV.	
A	Engineering Release
B	Corrected Part Number
C	Overall Length Change
D	Removed Material Change

Ø.205 [Ø5.2mm]
 Ø.312 [Ø7.9mm]




STANDARD TOLERANCES (UNLESS OTHERWISE SPECIFIED)	
DECIMALS	ANGLES
.X ±.1	X°
.XX ±.01	
.XXX ±.005	
DESIGNED:	DATE: 02/0/
D. Green	DATE: 02/0/
CHECKED:	
T. Yin	

2. MATERIAL: NYLON 6/6, 94V-0, BLACK.
1. GENERAL SPECIFICATIONS: BIVAR MOLDED COMPONENT SPECIFICATION BV00-E101.

Looking for pricing, stock, or lifecycle information?

Click below to explore more details on WIN SOURCE:

 [View C-175 on WIN SOURCE](#)

 [Bivar Inc. Information](#)

Optimize Your Supply Chain with WIN SOURCE Solutions

-  Global Sourcing Solution
-  Obsolete Management
-  Cost Control Management
-  Shortage Management
-  Alternative Solution
-  Excess Inventory Management