



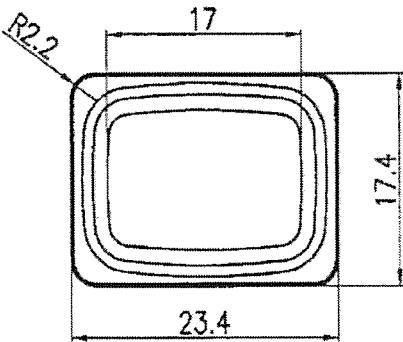
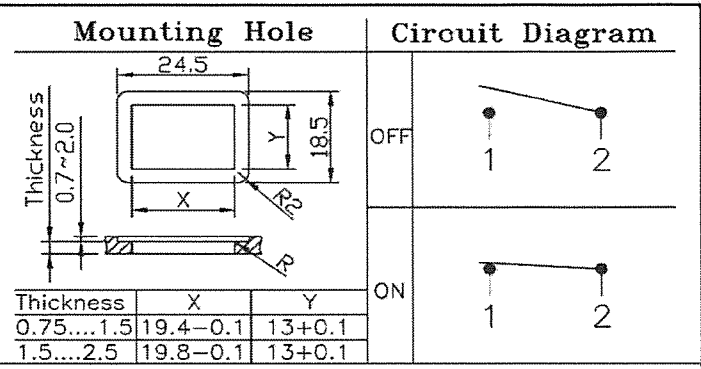


**THE DATASHEET OF
GRB066A802BB1**

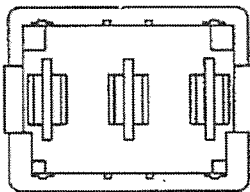
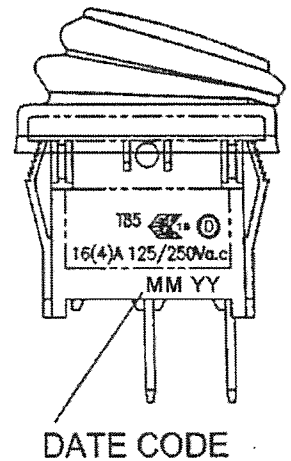
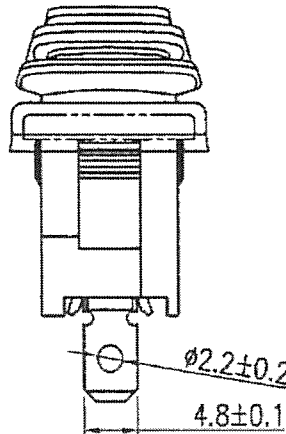
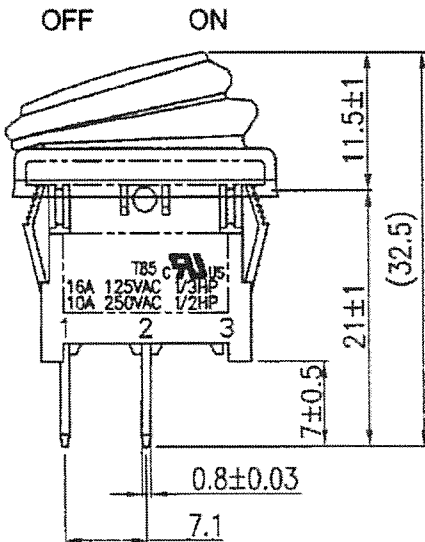


THIS INFORMATION IS CONFIDENTIAL AND PROPRIETARY TO CW INDUSTRIES INCORPORATED AND ITS AFFILIATES. IT MAY NOT BE DISCLOSED TO ANYONE, OTHER THAN CW INDUSTRIES PERSONNEL, WITHOUT WRITTEN AUTHORIZATION FROM CW INDUSTRIES INCORPORATED, SOUTHAMPTON, PENNSYLVANIA USA.

Rating	16A 125V AC 1/3 HP 10A 250V AC 1/2 HP 16A. 12VDC 6A. 28VDC	 
	16(4)A 125/250V AC 20A 12V DC	
Contact Resistance	50m ohm Max.	
Insulation Resistance	DC 500V 100M ohm Min.	
Dielectric Strength	AC 1500V 1 minute	
Operation Temp.	- 25 °C ~ 85 °C	
Switch Function	2P SPST ON-OFF	



Material:
 Frame: Black, Nylon 66(94-V2)
 Actuator: Black, PC(94-V2)
 Waterproof Rubber: Black, Silicone
 Terminals: Silver plated, Copper alloy
 Hot stamping: None
 Waterproof: IP65



Order Chart						
Series	Terminal Type	Actuator Color	Voltage			
GRB066	A8	02 B B	1			
Function		Frame Color				

Tolerances ±0.3 Unless Otherwise Specified

RoHS Compliant
R13-66A8-02

4	Removed CW logo, added order chart and SCI part number. APhilip 11/28/22
3	Updated ratings and views. 2-21-13.

CW INDUSTRIES
 Southampton, Pa. 18966
 Tel 215.355.7080/www.cwind.com

Date Drawn: 10/02/09

Rev. 4

Unit: mm



Checked By: *G. GOLD*

Title: **ROCKER SWITCH**

CW P/N: **GRB066A802BB1**

Looking for pricing, stock, or lifecycle information?

Click below to explore more details on WIN SOURCE:

-  [View GRB066A802BB1](#) on WIN SOURCE
-  [CW Industries](#) Information

Optimize Your Supply Chain with WIN SOURCE Solutions

-  Global Sourcing Solution
-  Obsolete Management
-  Cost Control Management
-  Shortage Management
-  Alternative Solution
-  Excess Inventory Management