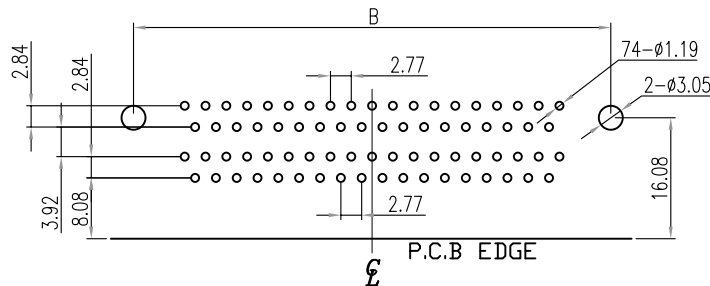
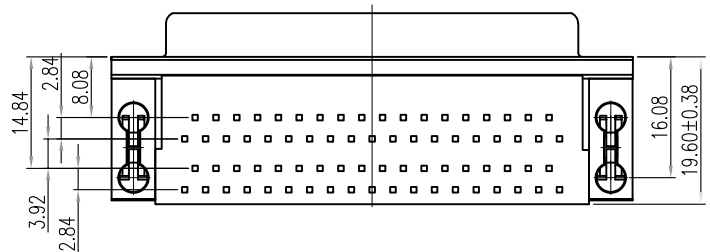
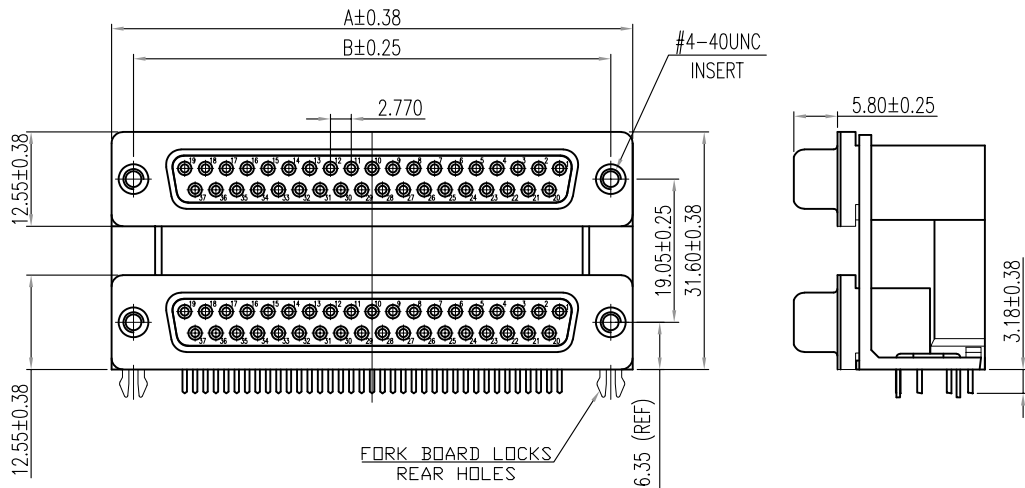




**THE DATASHEET OF**  
**178-009-513R691**



37 PIN SHOWN



RECOMMENDED P.C.B LAYOUT

SPECIFICATIONS:

ELECTRICAL:

INSULATION RESISTANCE: 5 GΩ MIN.  
 DIELECTRIC WITHSTANDING VOLTAGE: 1000 VAC FOR 1 MIN  
 OPERATING TEMPERATURE: -55°C TO +105°C  
 CURRENT RATING: 5 AMPS

MATERIALS:

CONTACTS: BRASS, GOLD PLATED  
 INSULATOR: UL94V-0 RATED, BLACK PA9T  
 260°C PROCESS TEMP.  
 SHELL: NICKEL PLATED STEEL  
 BOARD LOCK: TIN PLATED BRASS

DIMENSIONS: mm				
	9	15	25	37
A	30.58	38.99	52.78	69.32
B	24.99	33.32	46.99	63.50

178-YYY-513R69Y

SERIES \_\_\_\_\_  
 POSITIONS \_\_\_\_\_  
 009  
 015  
 025  
 037  
 GENDER \_\_\_\_\_  
 31 = FEMALE OVER MALE  
 41 = MALE OVER FEMALE  
 51 = FEMALE OVER FEMALE  
 61 = MALE OVER MALE  
 SHELL PLATING \_\_\_\_\_  
 3 = NICKEL  
 HARDWARE OPTIONS \_\_\_\_\_  
 69 = 4-40 INSERTS/BOARD LOCKS (REAR)  
 PLATING OPTIONS \_\_\_\_\_  
 1 = GOLD FLASH (ENTIRE CONTACT)  
 A = 30u" GOLD MATING AREA/GOLD FLASH TAILS  
 9 = 30u" GOLD IN MATING AREA/TIN TAILS

RoHS COMPLIANT



THESE DRAWINGS AND SPECIFICATIONS ARE THE PROPERTY OF NorComp AND SHALL NOT BE REPRODUCED, COPIED OR USED AS THE BASIS FOR THE MANUFACTURE OR SALE OF APPARATUS WITHOUT WRITTEN PERMISSION.

DRAWN:

C. SMITH

DATE:

03/30/2007

UNITS = mm

DO NOT SCALE FROM DRAWING

NorComp

SCALE: NTS

SHEET 1 OF 1

REV 11

DWG NO.

178-YYY-513R69Y

## Looking for pricing, stock, or lifecycle information?

Click below to explore more details on WIN SOURCE:

 [View 178-009-513R691 on WIN SOURCE](#)

 [NorComp Inc. Information](#)

## Optimize Your Supply Chain with WIN SOURCE Solutions

-  Global Sourcing Solution
-  Obsolete Management
-  Cost Control Management
-  Shortage Management
-  Alternative Solution
-  Excess Inventory Management