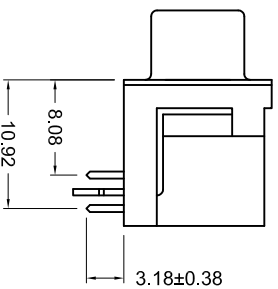
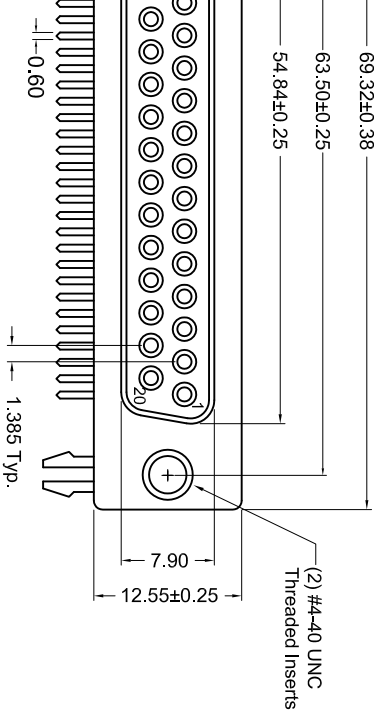




**THE DATASHEET OF
K22X-C37S-N**





Material and Finish

Insulator: PBT Thermoplastic
with Glass-fiber Reinforcement,
UL 94V-0 Rated,
Color: Black

Shell: Steel, Nickel Plated

Contact Material:

Socket - Phosphor Bronze

Contact Plating Options:

Standard: Gold Flash on

Mating End, Tin on

Termination End, Nickel

Underplate on Entire Contact

15 Option: 15u" Gold on

Mating End, Tin on

Termination End, Nickel

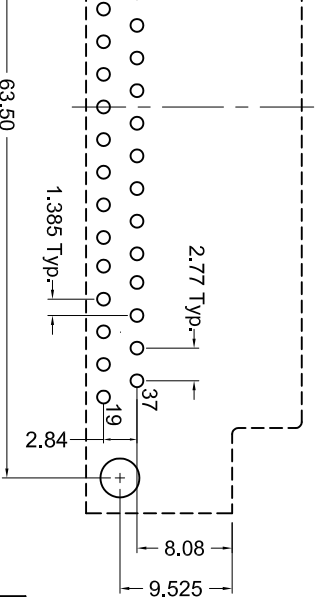
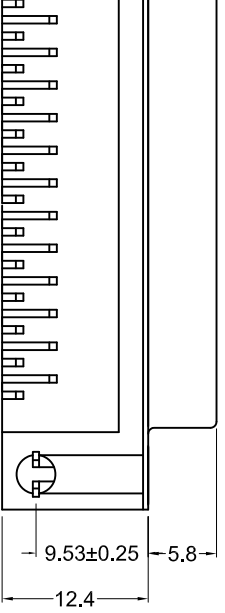
Underplate on Entire Contact

30 Option: 30u" Gold on

Mating End, Tin on

Termination End, Nickel

Underplate on Entire Contact



Recommended PCB Layout
(Top View)

| Part Number | Contact Area Plating Finish |
|---------------|-----------------------------|
| K22X-C37S-N | Gold Flash (Standard) |
| K22X-C37S-N15 | 15u" Gold (15 Option) |
| K22X-C37S-N30 | 30u" Gold (30 Option) |



LF78160
C US

| Tolerances |
|----------------------------|
| X.X ± 0.25 |
| X.XX ± 0.15 |
| Unless Stated Otherwise |

| | | | |
|---------|-------------|-----------|----------|
| V. BY | CHK. BY | DRAWN BY | DATE |
| Viguire | H. MA | R. Aguire | 02/10/06 |
| Vien | P. DalCanto | | UNITS |
| Serrato | C. Furumasa | | mm |

K22X-C37S-N

Right Angle D-Sub, Female
0.318" Footprint, RoHS Compliant



KYCON

Looking for pricing, stock, or lifecycle information?

Click below to explore more details on WIN SOURCE:

 [View K22X-C37S-N on WIN SOURCE](#)

 [Kycon, Inc. Information](#)

Optimize Your Supply Chain with WIN SOURCE Solutions

-  Global Sourcing Solution
-  Obsolete Management
-  Cost Control Management
-  Shortage Management
-  Alternative Solution
-  Excess Inventory Management