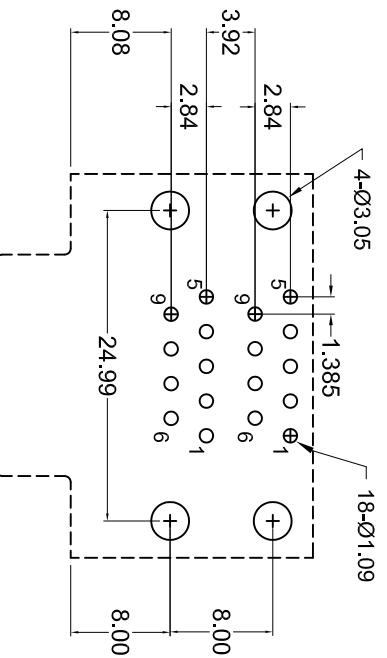
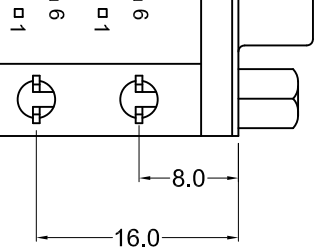
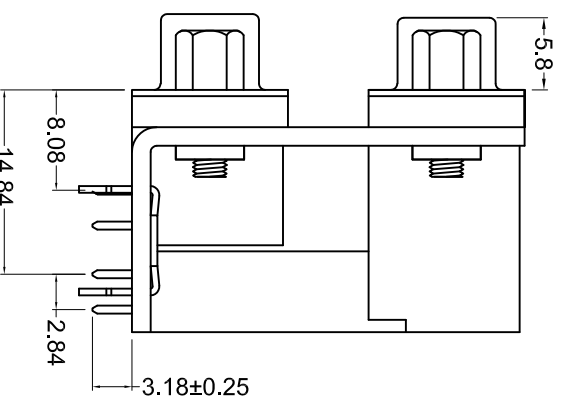
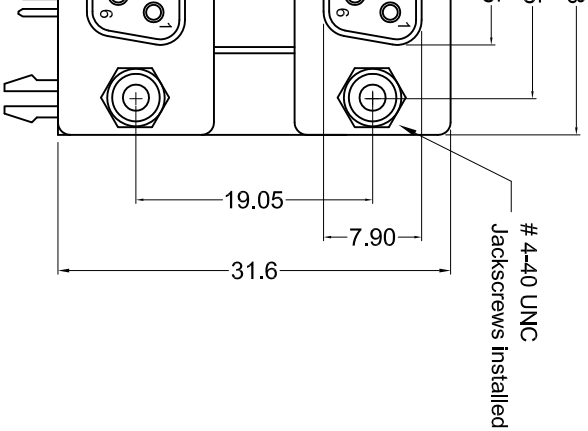




**THE DATASHEET OF  
K42X-E9S/S-A4NJ**





### Material and Finish

- Shell: Steel, nickel plated
- Insulator: PBT thermoplastic with glass-fiber reinforcement, UL94V-0 rated
- Color: Black
- Contact Material: Socket - Phosphor Bronze
- Contact Plating Options: Standard: gold flash on mating end, tin on termination end, nickel underplate on entire contact
- 15 Option: 15u" gold on mating end, tin on termination end, nickel underplate on entire contact
- 30 Option: 30u" gold on mating end, tin on termination end, nickel underplate on entire contact

### Electrical Specifications

- Rated Current: 1.2A
- Rated Voltage: 30V RMS
- Insulation Resistance: more than 1000 megohms at 500V DC
- Contact Resistance: 13 milliohms max.
- Dielectric Withstanding Voltage: 1000V for 1 minute
- Operating Temperature: -55°C to +105°C

Information	
Plating	Electroless
Plating Area	Plating Finish
Gold Flash (standard)	
15u" Gold (15 option)	
30u" Gold (30 option)	

V. BY	CHK. BY	DRAWN BY	DATE
Y. Quire	H. MA	R. Aguirre	10/28/05
E. ederick	H. MA		
V. ien	H. MA		
I. banna	C. Furumasa		
MA	D. Sheehan		
		UNITS	mm

**K42X-E9S/S-A4NJ**

9 Fem / 9 Fem D-Sub, 0.750" Spacing  
w/ 4 Grd. Brackets, installed jack screws, RoHS Compliant

**RoHS COMPLIANT**



LF78160



Tolerances
X.X ± 0.25
X.XX ± 0.15
Unless Stated
Otherwise

## Looking for pricing, stock, or lifecycle information?

Click below to explore more details on WIN SOURCE:

 [View K42X-E9S/S-A4NJ on WIN SOURCE](#)

 [Kycon, Inc. Information](#)

## Optimize Your Supply Chain with WIN SOURCE Solutions

-  Global Sourcing Solution
-  Obsolete Management
-  Cost Control Management
-  Shortage Management
-  Alternative Solution
-  Excess Inventory Management