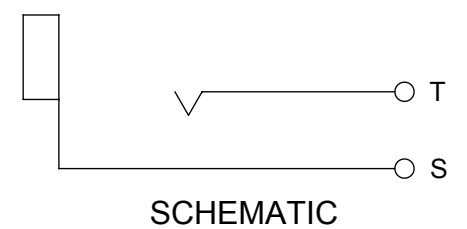




THE DATASHEET OF RN112BPC

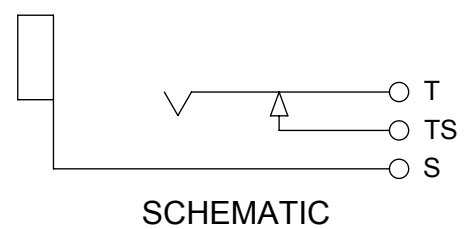




SCHMATIC

TYPICAL MATING PLUG: 250

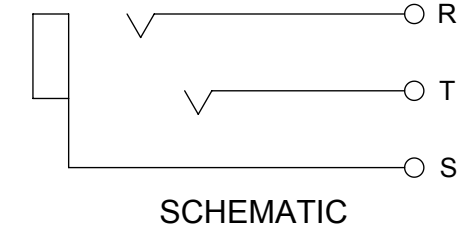
RN111PC



SCHMATIC

TYPICAL MATING PLUG: 250

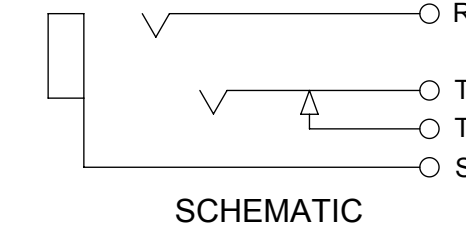
RN112APC



SCHMATIC

TYPICAL MATING PLUG: 267

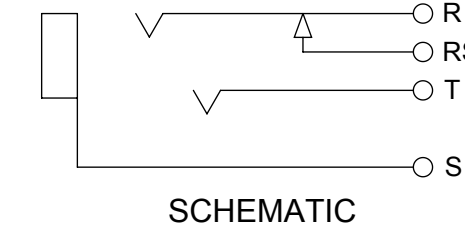
RN112BPC



SCHMATIC

TYPICAL MATING PLUG: 267

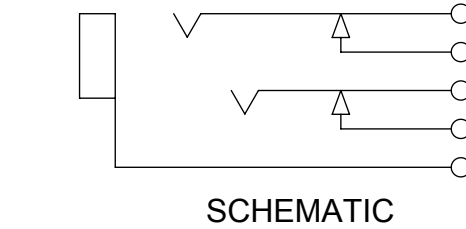
RN113BPC



SCHMATIC

TYPICAL MATING PLUG: 267

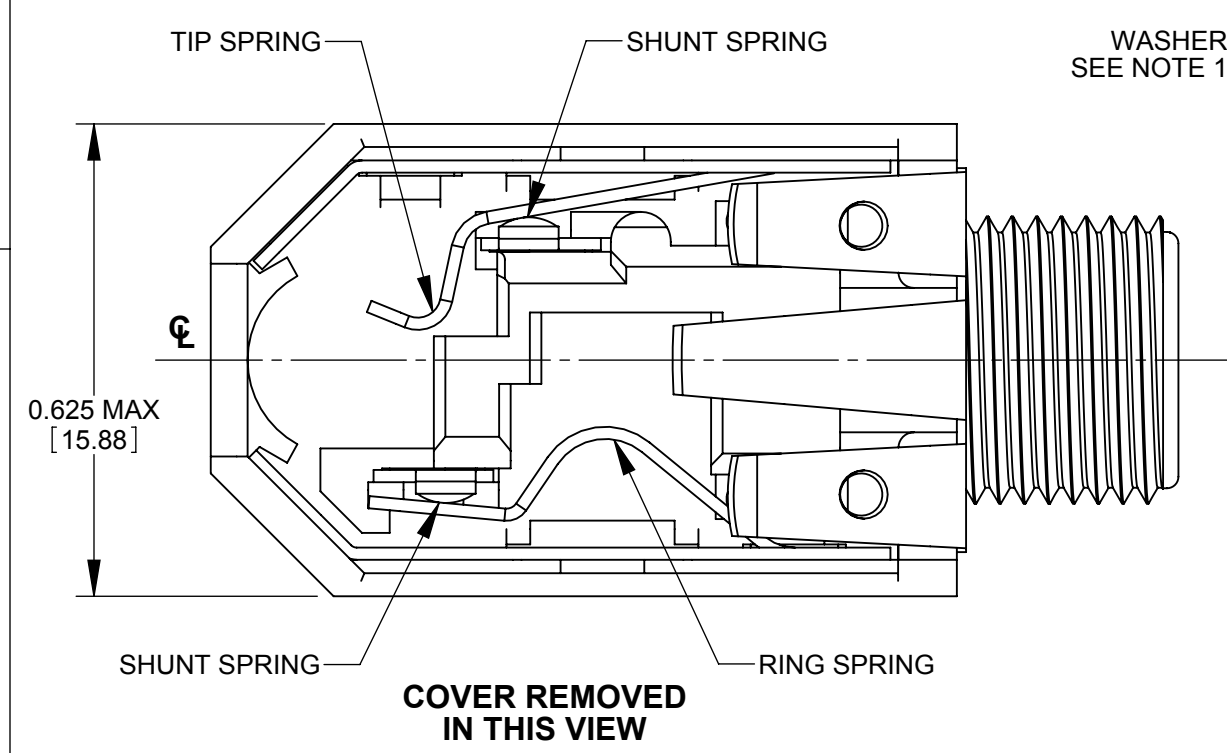
RN113FPC



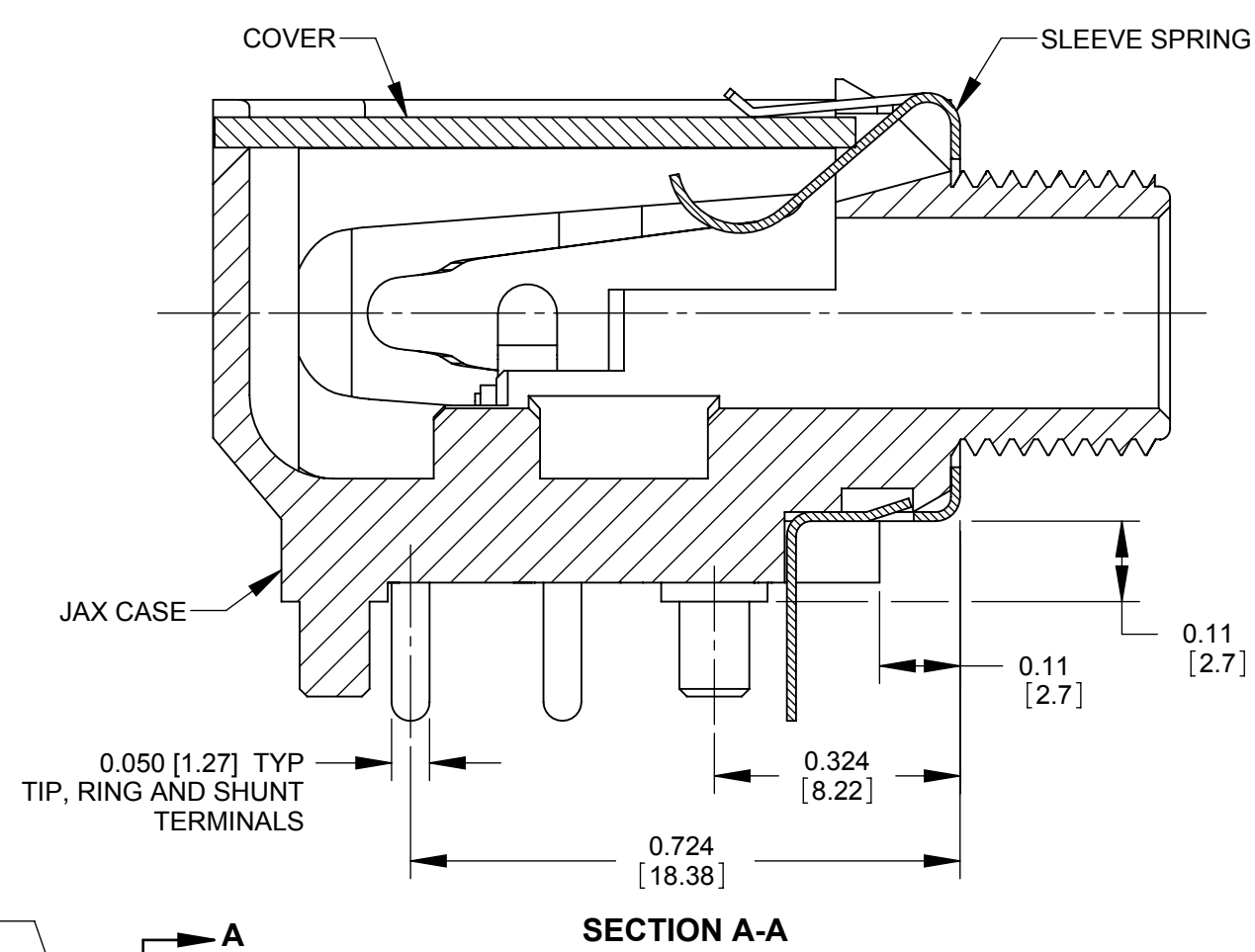
SCHMATIC

TYPICAL MATING PLUG: 267

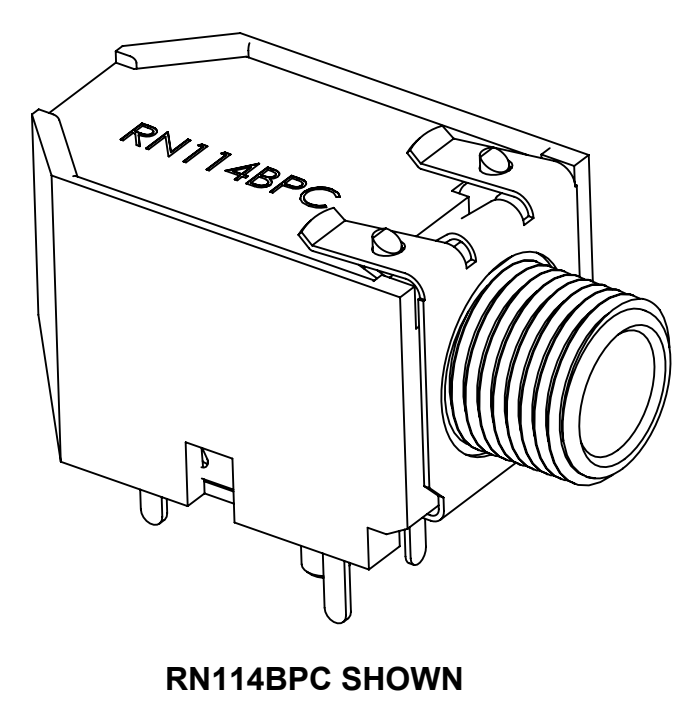
RN114BPC



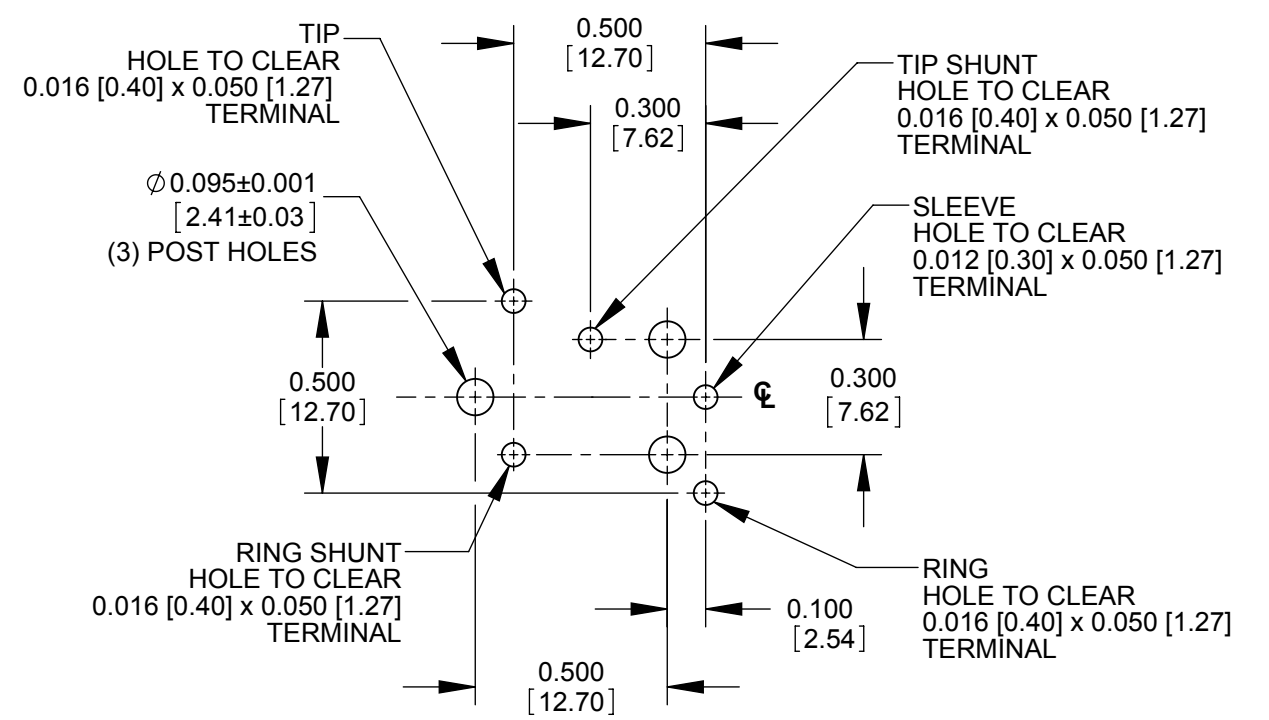
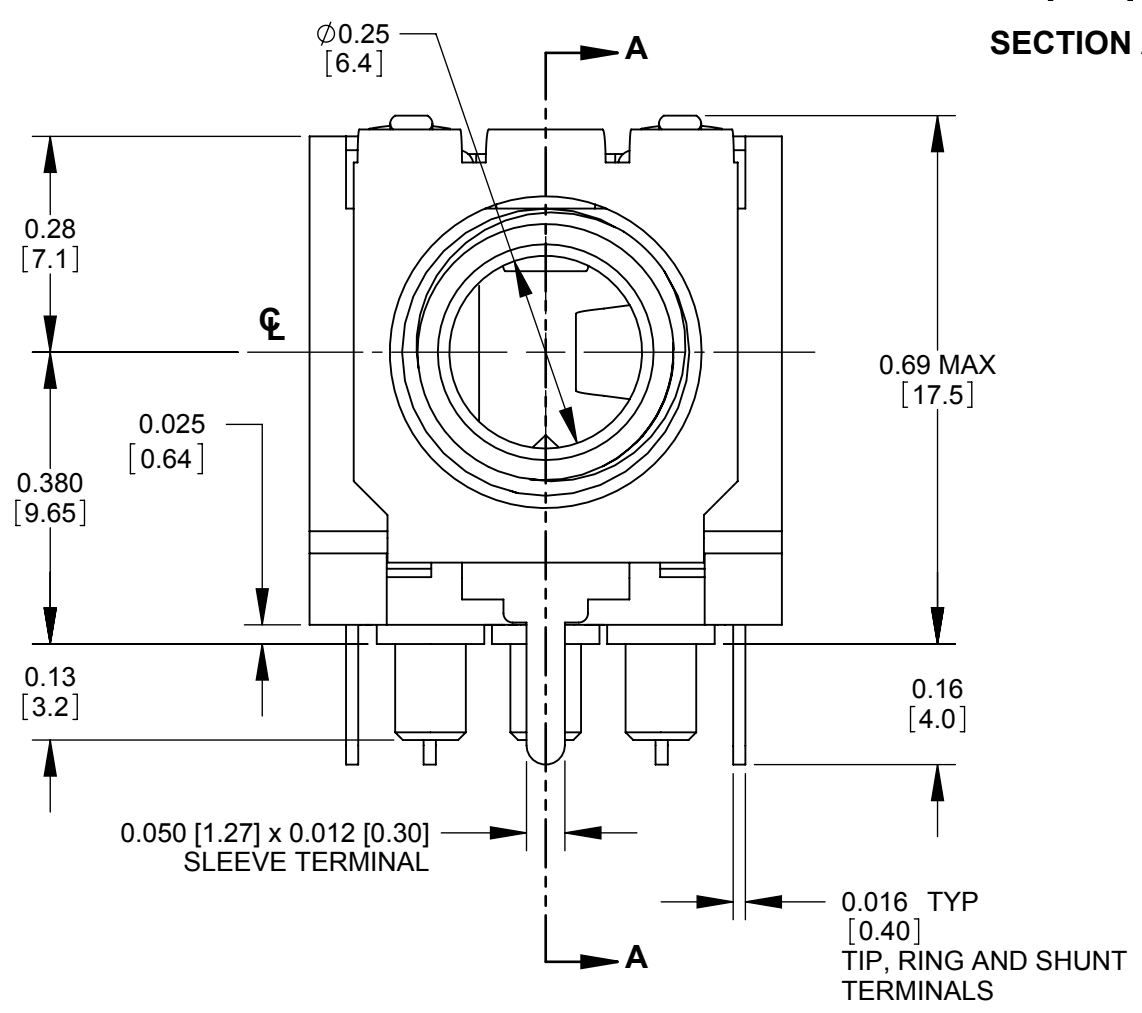
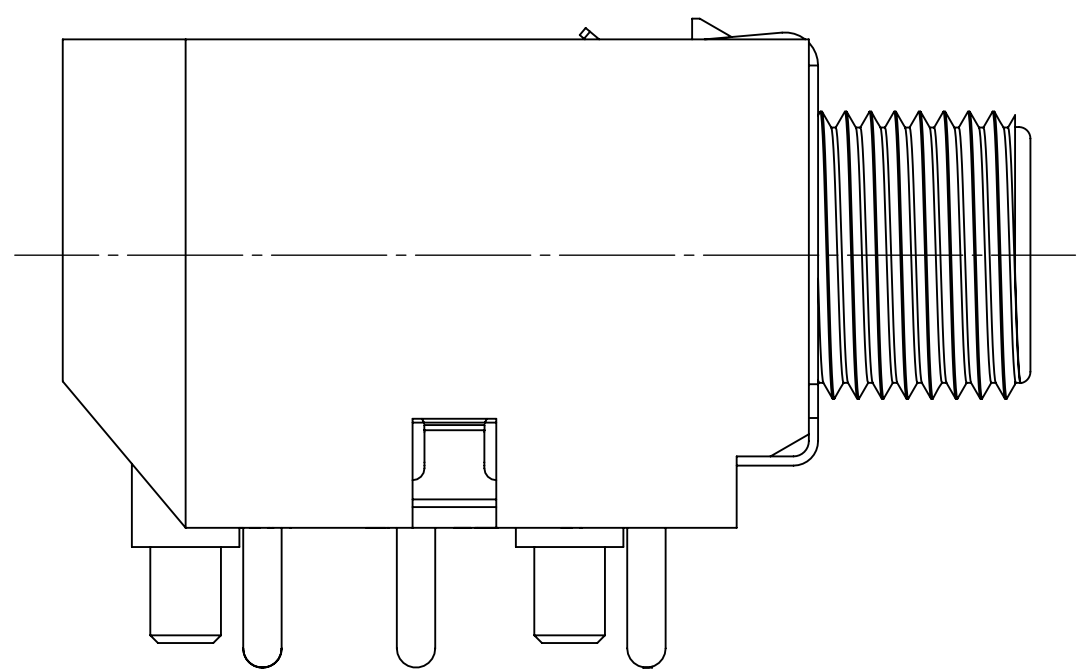
COVER REMOVED IN THIS VIEW



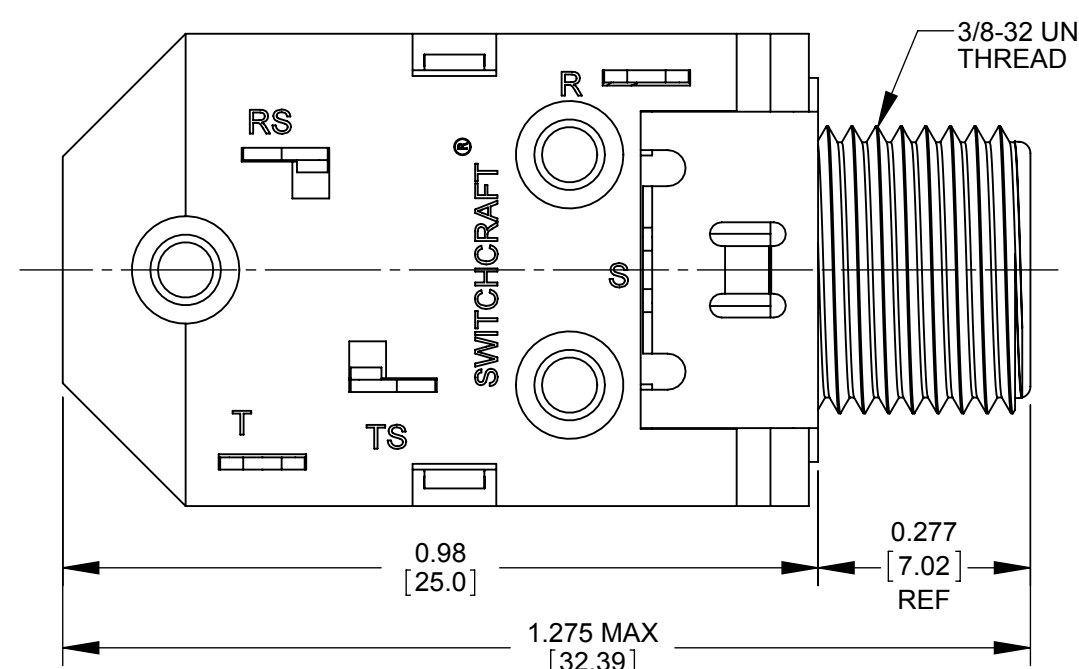
SECTION A-A



RN114BPC SHOWN



PCB LAYOUT COMPONENT SIDE SCALE 2:1



- NOTES:
- HARDWARE SHIPPED UNASSEMBLED.
 - MATERIALS:
JAX CASE AND COVER - THERMOPLASTIC, BLACK
SPRINGS/TERMINALS - SPECIAL COPPER ALLOY, TIN PLATED
WASHER - CRS, NICKEL PLATED
HEX NUT - COPPER ALLOY, NICKEL PLATED
 - THESE PRODUCTS ARE RoHS COMPLIANT.

REV	ECO NUMBER	DATE	BY	APVD
E	REDRAWN 27712	05-31-16	PC	TJK
REVISIONS				

UNLESS OTHERWISE SPECIFIED
1. ALL DIMENSIONS IN INCHES [mm]
- TWO PLACE DECIMALS ±0.02 [0.5]
- THREE PLACE DECIMALS ±0.005 [0.13]

THIS DRAWING DESCRIBES A DESIGN CONSIDERED PROPRIETARY IN NATURE, DEVELOPED AND MANUFACTURED BY SWITCHCRAFT INC. AND IS RELEASED ON A CONFIDENTIAL BASIS FOR IDENTIFICATION PURPOSES ONLY.				
SIZE	WIDTH	MULT	LBS/M	TEMPER
FINISH SPEC No.		MATERIAL SPEC No.		
FIRST USED ON		SCALE 4:1		
DATE DRAWN	BY	CHKD	APVD	
01-06-09	JEB	JEB	TJK	
01-06-09		01-28-09		
NAME RN SERIES RIGHT ANGLE "HI-D" JAX, RoHS			PART No. RN111-RN114 SERIES	REV E

CUSTOMER DRAWING



SHEET 1 OF 1

Looking for pricing, stock, or lifecycle information?

Click below to explore more details on WIN SOURCE:

 [View RN112BPC on WIN SOURCE](#)

 [Switchcraft Inc. Information](#)

Optimize Your Supply Chain with WIN SOURCE Solutions

-  Global Sourcing Solution
-  Obsolete Management
-  Cost Control Management
-  Shortage Management
-  Alternative Solution
-  Excess Inventory Management