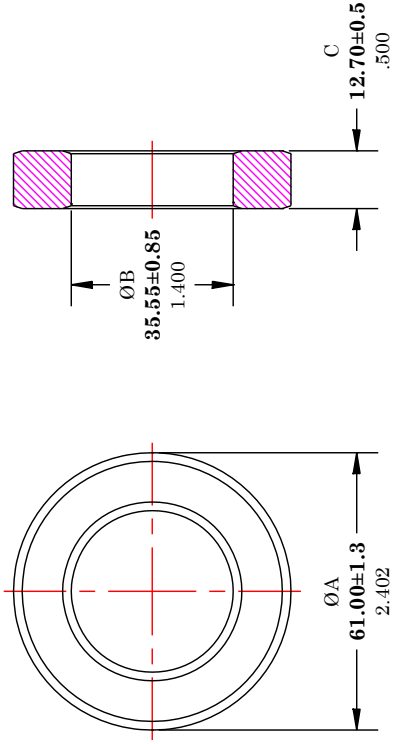


** Not all features are shown in this drawing. For more detailed information, please contact your Fair-Rite representative.

UNCONTROLLED ~ CATALOG ~ DRAWING

SIZE
B



ELECTRICAL SPECIFICATIONS

$\Sigma L/A(\text{mm}^{-1})$	l_e (mm)	A_e (mm ²)	V_e (mm ³)	L_p (nH)
.91627	145	158	22800	1.371

DIMENSIONS
BOLD NUMBERS ARE IN MILLIMETERS
 LIGHT NUMBERS ARE IN INCHES

NOTES:

- 1 - BURNISH TO REMOVE SHARP EDGES.

FR# 46

FAIR-RITE		TITLE	ROUND
DRAWN BY	DATE	SIZE	
D. FOOTE	3/10/2020	B	
CHKD BY			
APPRVD BY			SCAL

Looking for pricing, stock, or lifecycle information?

Click below to explore more details on WIN SOURCE:

 [View 2646803802 on WIN SOURCE](#)

 [FAIR-RITE PRODUCTS](#) Information

Optimize Your Supply Chain with WIN SOURCE Solutions

-  Global Sourcing Solution
-  Obsolete Management
-  Cost Control Management
-  Shortage Management
-  Alternative Solution
-  Excess Inventory Management