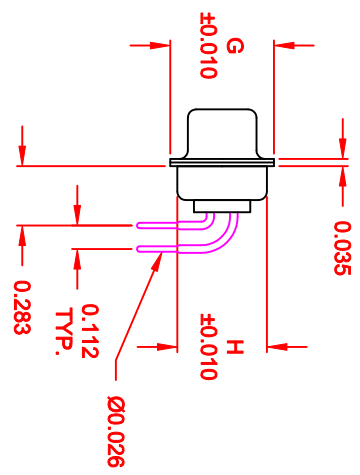
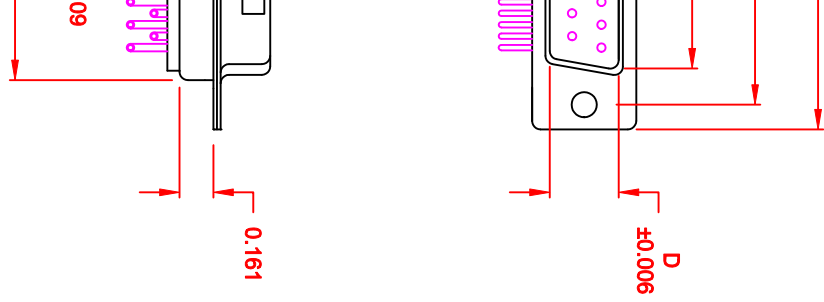




THE DATASHEET OF
773-E15-113R011



		DIMENSIONS							
No. OF PINS	A	B	C	D	E	F	G	H	
9	1.213	0.984	0.666	0.329	0.236	0.756	0.496	0.427	
	30.80	24.99	16.92	8.36	5.99	19.20	12.60	10.85	
15	1.541	1.312	0.994	0.329	0.236	1.091	0.496	0.427	
	39.15	33.32	25.25	8.36	5.99	27.70	12.60	10.85	
25	2.087	1.852	1.534	0.329	0.236	1.618	0.496	0.427	
	53.00	47.04	38.96	8.36	5.99	41.10	12.60	10.85	



MEETS IP67 STANDARDS
(SEE PAGE 3 FOR SEALING DETAILS)

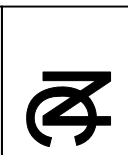
773-EYY-113 RYY 1

SERIES _____
POSITIONS _____
E09 _____
E15 _____
E25 _____
GENDER _____
1 = MALE
TERMINATION _____
1 = THROUGH HOLE
SHELL PLATING _____
3 = NICKEL (GROUND INDENTS)
ROHS COMPLIANT _____
HARDWARE OPTIONS _____
00 = NO HARDWARE
01 = .065" CLINCH NUT (BOARD SIDE)
14 = SHORT BRACKET WITH 4-40 SCREW LOCK
PLATING OPTIONS _____
1 = GOLD FLASH
2 = 30 MICRO-INCH GOLD

DO NOT SCALE FROM DRAWING

NICKEL PLATED
PVC-O RATED, WHITE PA6T
C
SS
FLEXIBLE ADHESIVE

Ohms Max.
0 Mohms min.
VAC FOR 1 MINUTE
C TO 100° C

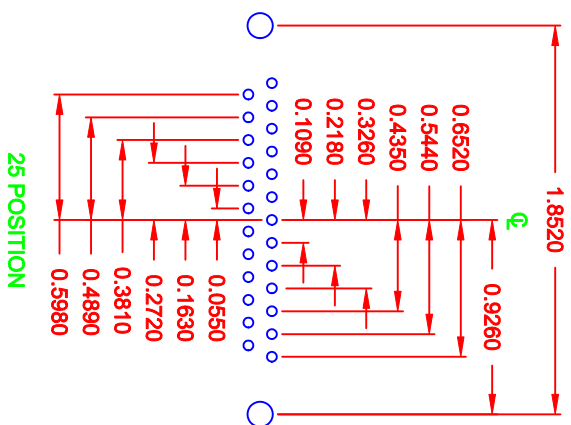
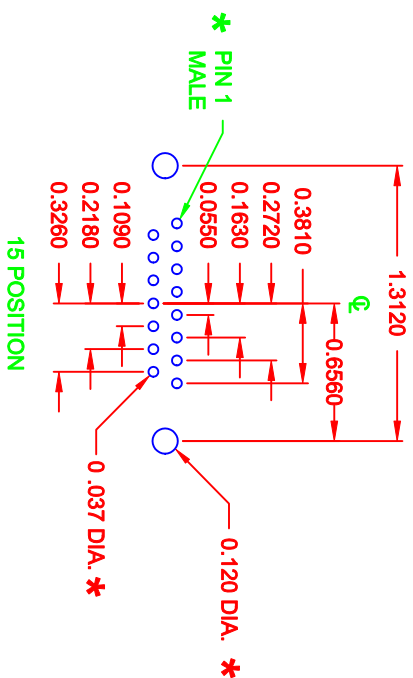
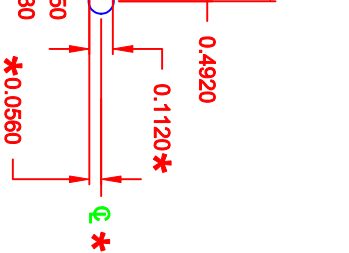


THESE DRAWINGS AND SPECIFICATIONS ARE THE PROPERTY OF NorComp AND SHALL NOT BE REPRODUCED, COPIED OR USED AS THE BASIS FOR THE MANUFACTURE OR SALE OF APPARATUS WITHOUT WRITTEN PERMISSION.

NorComp

DRAWN: PAM JENKINS	DATE: 06-29-09
CHECKED:	DATE:
SCALE: 1:1	SHEET 1 OF 3
DWG NO. 773-EYY-113 RYY 1	REV 5

IMPLIANT



*** TYP. ON ALL SIZES
UNLESS NOTED OTHERWISE**

DO NOT SCALE FROM DRAWING



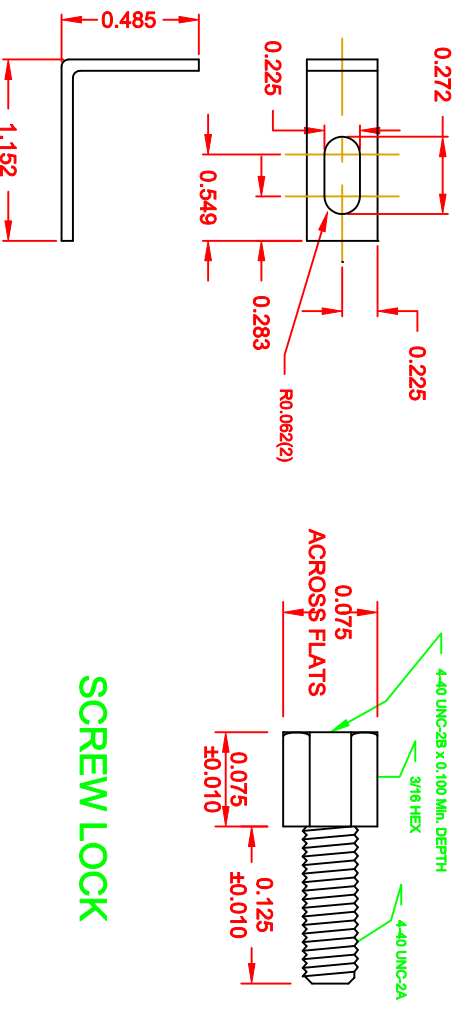
THESE DRAWINGS AND SPECIFICATIONS ARE THE PROPERTY OF NorComp AND SHALL NOT BE REPRODUCED, COPIED OR USED AS THE BASIS FOR THE MANUFACTURE OR SALE OF APPARATUS WITHOUT WRITTEN PERMISSION.

NorComp

DRAWN: PAM JENKINS		DATE: 06-29-09	
CHECKED:		DATE:	
SCALE: FULL	SHEET 2 OF 3	REV 5	
DWG NO. 773-EYY-113RYY1			

HARDWARE OPTIONS

14 = SHORT BRACKET & 4-40 SCREW LOCK

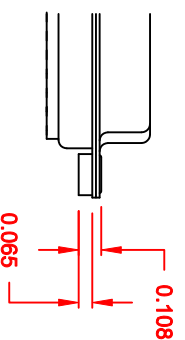


MOUNTING BRACKET

FRONT SEAL APPLIED OVER INSULATOR
AND BETWEEN FRONT & REAR SHELLS

01 CLINCH NUT OPTION

01X 0.065" (BOARD SIDE) - CN1



DO NOT SCALE FROM DRAWING



THESE DRAWINGS AND SPECIFICATIONS ARE THE PROPERTY OF NorComp AND SHALL NOT BE REPRODUCED, COPIED OR USED AS THE BASIS FOR THE MANUFACTURE OF SALE OF APPARATUS WITHOUT WRITTEN PERMISSION.

NorComp

DRAWN: C. SMITH		DATE: 06-10-09	
CHECKED:		DATE:	
SCALE: 2.5 : 1	SHEET 3 OF 3	REV 5	
DWG NO. 773-EYY-113RYY1			

Looking for pricing, stock, or lifecycle information?

Click below to explore more details on WIN SOURCE:

 [View 773-E15-113R011 on WIN SOURCE](#)

 [NorComp Inc. Information](#)

Optimize Your Supply Chain with WIN SOURCE Solutions

-  Global Sourcing Solution
-  Obsolete Management
-  Cost Control Management
-  Shortage Management
-  Alternative Solution
-  Excess Inventory Management