



**THE DATASHEET OF  
E69-30A**



# E/F6 SERIES, E/F7 SERIES PANEL MOUNT SWITCHES

## E/F6 Series, E/F7 Series panel mount switches

E/F6 are single pole versions, E/F7 are double pole versions

- Push buttons in various models
- Snap-in panel mounting
- Long-life coil spring, snap-action mechanism
- Agency approved extended-life versions available
- VDE approval available on select models (F Series)
- Various terminal forms available (consult factory)



Technical specifications	
<b>Series</b>	Panel mount switch
<b>Electrical</b>	
<b>Ambient temperature</b>	-40° to +85°C
<b>Flammability rating</b>	UL94V-0
<b>Materials</b>	
<b>Housing</b>	Thermoplastic Polyester, Valox (single pole versions), Vandar (double pole versions)
<b>Actuator</b>	Thermoplastic Acetal (E Series), Valox
<b>Terminals*</b>	Brass
<b>Moving blade</b>	Beryllium Copper
<b>Spring</b>	Stainless steel
<b>Contacts</b>	
<b>E65, E/F69, E/F77, E/F79</b>	AgCdO
<b>E/F68, E/F78</b>	Au (Crosspoint)

\* Common terminals are plated – the remaining terminals are not plated.

Approvals 1	Code
UL	E
VDE & UL	F

### Configuration 2

Configuration	Code
Single pole version	6
Double pole version	7

### Actuator 4

Terminal type	Code
Basic momentary	00A
Push-pull momentary	20A
Momentary (cheat interlock)	30A
Short button momentary	40A
Momentary for auxiliary actuator	50A

### Terminals

Series	Terminals
E68, E69, E77, E78, E79	Q.C. terminal 4.8 x 0.5 mm
E65, E75, F68, F69, F77, F78, F79	Q.C. terminal 4.8 x 0.8 mm

### Approvals 1

Approvals	Code
UL	E
VDE & UL	F

Generation of order code (example)  
The order code consists of 5 parameters:

Series	Approvals	Circuitry	Electrical rating	Actuator
Panel mount switch	F = UL & VDE	6 = Single pole version	9 = 10(4) A, 250 V AC	00A = Basic momentary

- Not every configurable variant is available for order. Please contact us.
- The final two digits of article numbers on commercial documents refer to the index of the respective drawing.
- Customer-specific models are marked with a G or W as the sixth digit of the article number.

Electrical rating and operating life 3

Electrical rating according to

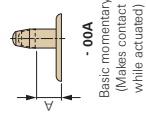
EN 61058-1

UL 1054

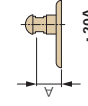
16 A, 125/250
0.1(0.05) A, 125 V AC; 10(4) A, 250 V AC
0.1 A, 125 V AC
0.1(0.05) A, 125 V AC
10(4) A, 250 V AC

\* Other ratings

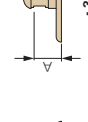
### Actuator (function)



-00A  
Basic momentary  
(Makes contact while actuated)

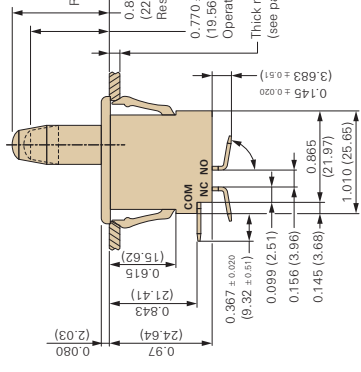


-20A  
Push-pull (Push:  
makes contact, Pull:  
reset position)



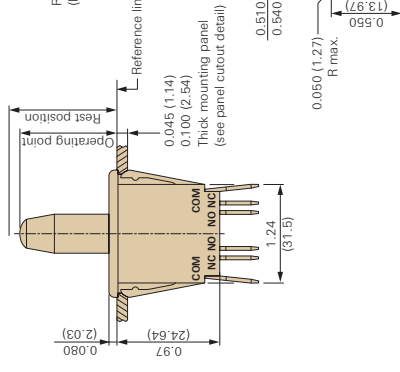
-30  
Momentary  
(If pushed,  
pushbutton)

### Single pole version



Dimensions in inch (mm)

### Double pole version



For detailed information please note the technical specifications which

## Looking for pricing, stock, or lifecycle information?

Click below to explore more details on WIN SOURCE:

 [View E69-30A on WIN SOURCE](#)

 [ZF Electronics Information](#)

## Optimize Your Supply Chain with WIN SOURCE Solutions

-  Global Sourcing Solution
-  Obsolete Management
-  Cost Control Management
-  Shortage Management
-  Alternative Solution
-  Excess Inventory Management