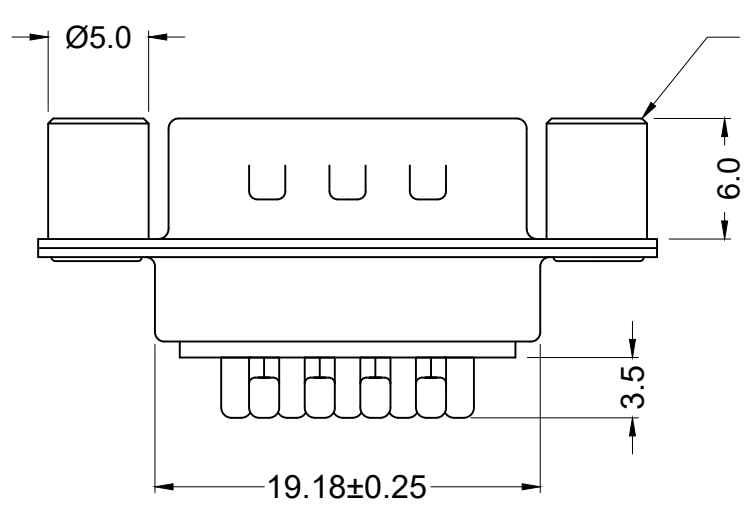
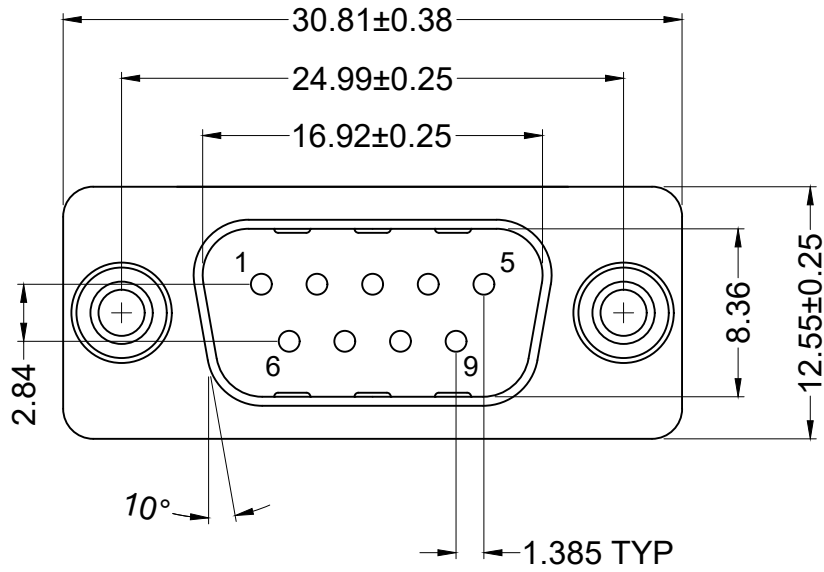


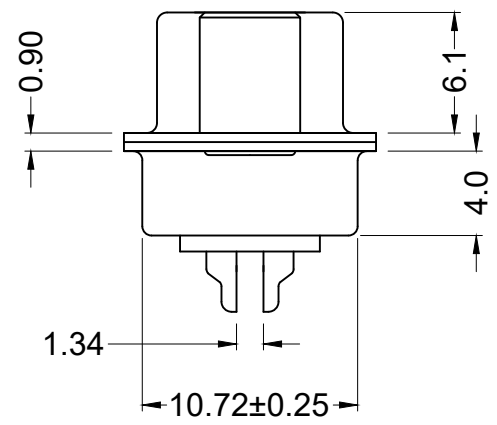


**THE DATASHEET OF  
K85X-EA-9P-R**





(2) #4-40 Riveted Round Jackscrews



**Material and Finish**

Shell: steel, Nickel plated

Insulator: PBT with glass-fiber reinforcement, UL 94V-0 rated, color-black

Contact Material:

Plug: Brass

Contact Plating:

Standard: Gold flash on mating end, tin on termination end, with entire contact nickel underplated

-15 Option: 15u" gold on mating end, tin on termination end, with entire contact nickel underplated

-30 Option: 30u" gold on mating end, tin on termination end, with entire contact nickel underplated

**Electrical Specifications**

- Rated Current: 2A
- Rated Voltage: 30V RMS
- Withstanding Voltage: 500V (rms) AC for 1 minute
- Insulation Resistance: more than 1000 Megohm at 500V DC
- Contact Resistance: 13 milliohm max.
- Dielectric Strength: 1000V for 1 minute
- Operating Temperature: -55°C to +105°C

Part Number	Contact Area Plating Finish
K85X-EA-9P-R	Gold Flash (standard)
K85X-EA-9P-R15	15u" Gold (15 option)
K85X-EA-9P-R30	30u" Gold (30 option)

**RoHS COMPLIANT**



Tolerances
X.X ± 0.25
X.XX ± 0.15
Unless Stated Otherwise

REV.	DATE	DESCRIPTION	REV. BY	CHK. BY	DRAWN BY	DATE
A1	06/14/05	New Drawing	R. Aguirre	H. MA	R. Aguirre	06/14/05
A2	1/9/08	ECO #07-052	WILL H.	H. MA		
A3	12/31/17	ECO #17-030	G. Serrato	C. Furumasu		
A4	09/25/25	ECO #25-061	K.Wang	C.Kelleher		

**K85X-EA-9P-R**

Vertical Soldercup Mount D-Sub, RoHS Compliant

9 pin male, precision formed contacts w/ Round riveted Jackscrews



## Looking for pricing, stock, or lifecycle information?

Click below to explore more details on WIN SOURCE:

 [View K85X-EA-9P-R on WIN SOURCE](#)

 [Kycon, Inc. Information](#)

## Optimize Your Supply Chain with WIN SOURCE Solutions

-  Global Sourcing Solution
-  Obsolete Management
-  Cost Control Management
-  Shortage Management
-  Alternative Solution
-  Excess Inventory Management