



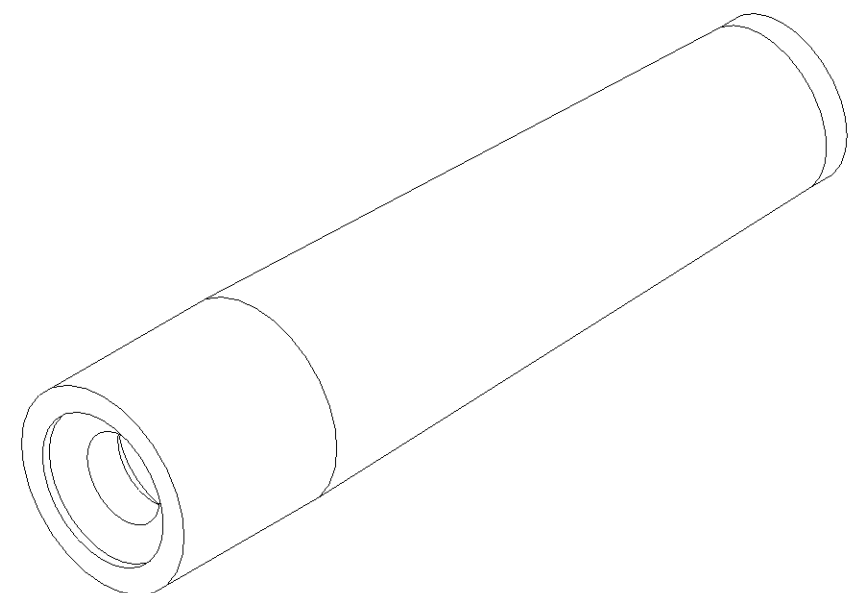
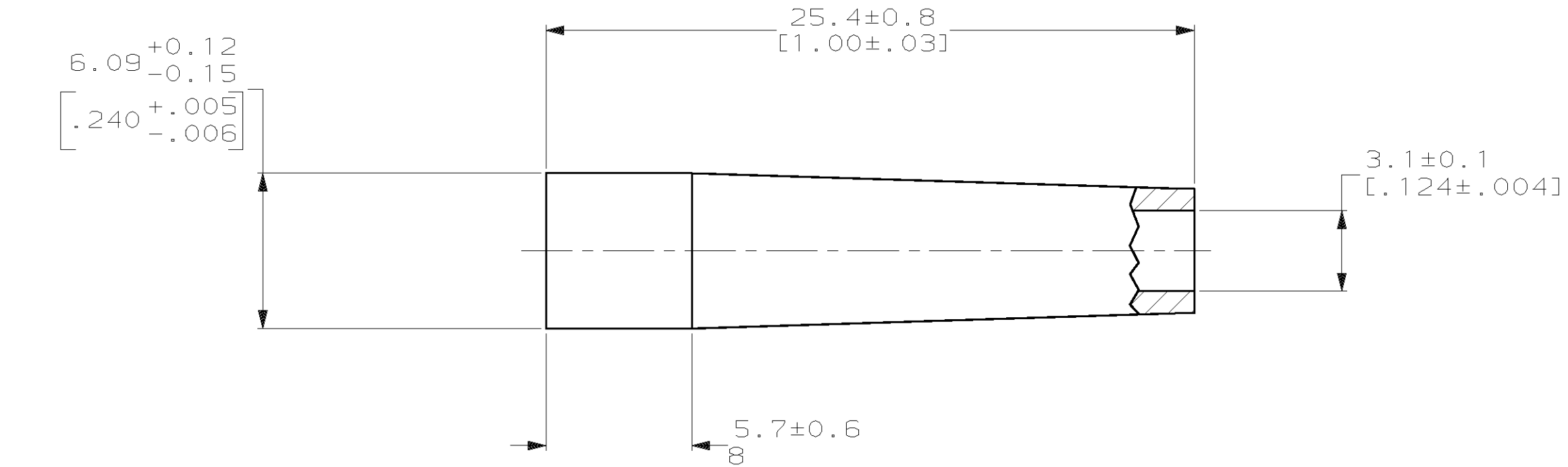
THE DATASHEET OF IR5001STR



THIS DRAWING IS UNPUBLISHED. RELEASED FOR PUBLICATION, 19 .
© COPYRIGHT 19 BY AMP INCORPORATED. ALL INTERNATIONAL RIGHTS RESERVED.

LOC	DIST	P	F	ZONE	LTR	DESCRIPTION	DATE	APPD
CE	16				G	REVISED PER 0A00-0546-00	19JUL00	TA/SB

1. DIMENSIONS IN [] ARE IN INCHES.
2 BULK PACKAGED, 100 PCS.



2	ORANGE	1-501457-7
2	APC GREEN	1-501457-5
2	WHITE	1-501457-3
2	BLUE	1-501457-2
2	BEIGE	1-501457-1
2	RED	1-501457-0
2	YELLOW	501457-9
2	BLACK	501457-8
	COLOR	PART NUMBER

METRIC

DO NOT SCALE PRINT. UNLESS SPECIFIED DIMENSIONS IN INCHES TOLERANCES ON: 2 PLC DEC ± - 3 PLC DEC ± - ANGLES ± -	DR R.HILEMAN 2-16-90	AMP INCORPORATED Harrisburg, Pa. 17105
	CHK F.ANTONICELLI 2-16-90	
MATERIAL THERMOPLASTIC ELASTOMER	APPD F.ANTONICELLI 2-16-90	NAME BOOT, STRAIN RELIEF, 2.5mm BAYONET, OPTIMATE®
FINISH -	APPD D.COLLINS 2-16-90	SIZE B FSCM NO 00779 DRAWING NO 501457
	PRODUCT SPEC -	SCALE 5:1 SHEET 1 OF 1
	APPLICATION SPEC -	
	WEIGHT -	

Looking for pricing, stock, or lifecycle information?

Click below to explore more details on WIN SOURCE:

 [View IR5001STR](#) on WIN SOURCE

 [Infineon Technologies](#) Information

Optimize Your Supply Chain with WIN SOURCE Solutions

-  Global Sourcing Solution
-  Obsolete Management
-  Cost Control Management
-  Shortage Management
-  Alternative Solution
-  Excess Inventory Management