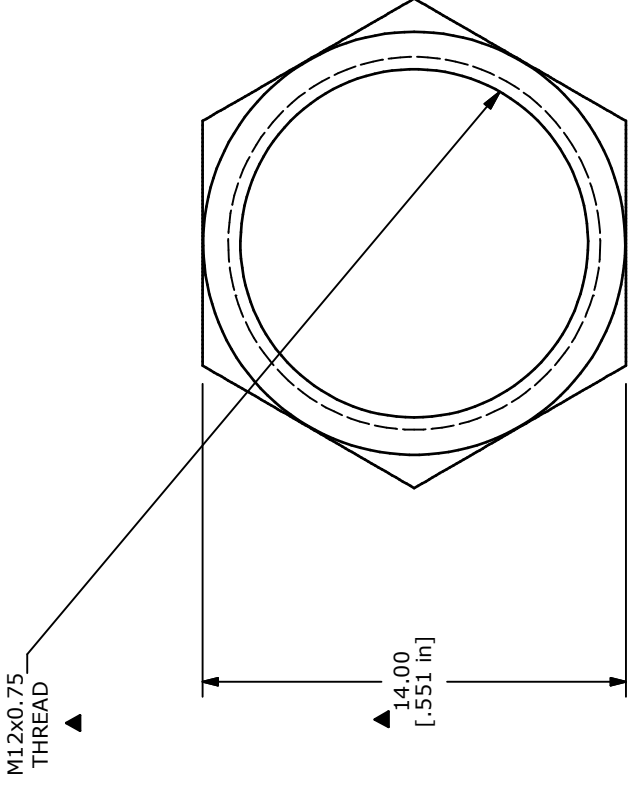




THE DATASHEET OF RP8100HEXNUT





NOTE:

1. ALL DIMENSIONS IN MM [INCH]
2. GENERAL TOLERANCE: X.X=±0.4
X.XX=±0.25
3. OPERATING TEMPERATURE: -30°C TO +85°C.
4. ▲ DENOTES CRITICAL PARAMETER.
5. 2002/95/EC (ROHS) COMPLIANT

| | | | | | |
|---|--------|------------------------------------|-----------------|-------|--|
| | | | | | |
| B | 21394 | CHANGE THICKNESS FROM 1.98 TO 2.50 | 3/5/14 | EBP | |
| A | 17904 | New Release | 12/18/07 | rc | |
| REV | PCR NO | DESCRIPTION | DATE | BY | |
| <i>THE INFORMATION CONTAINED IN THIS DOCUMENT IS PROPRIETARY TO E-SWITCH AND IS NOT TO BE COPIED OR TRANSFERRED</i> | | | | | |
| TITLE RP8100HEXNUT | | | DATE 12/18/2007 | DR rc | |
| SCALE 4=1 | | | | | |

Looking for pricing, stock, or lifecycle information?

Click below to explore more details on WIN SOURCE:

 [View RP8100HEXNUT on WIN SOURCE](#)

 [E-SWITCH Information](#)

Optimize Your Supply Chain with WIN SOURCE Solutions

-  Global Sourcing Solution
-  Obsolete Management
-  Cost Control Management
-  Shortage Management
-  Alternative Solution
-  Excess Inventory Management