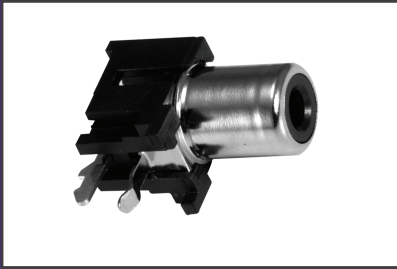




**THE DATASHEET OF
KLPX-0848A-2-W-G**





RCA PHONO JACKS: KLPX Series
RCA Phono Jack PCB Mount

Product Features

Audio Applications for Computers and Multimedia
Two Contact Cost Efficient Design
Right Angle and Vertical Mount Available

Performance Specifications

Materials and Finish

Housing

PBT Thermoplastic, UL94V-0 Rated

Terminals

Brass, Tin Plated

Electrical Characteristics

Contact Resistance

30 milliohms Max.

Insulation Resistance

100 Megohms Min.at 500V DC

Dielectric Withstanding Voltage

500V AC RMS for 1 Minute

Mechanical Characteristics

Insertion Force

0.3kg - 3.0kg

Extraction Force

0.3kg - 3.0kg

Durability

5000 Mating Cycles Min.

Operating Temperature

-25°C to +80°C

2D Drawing	IGES	STEP	3D PDF
Solder Profile	CofC RoHS Compliant	CofC REACH Compliant	UL Plastic File
Certificate of Origin	Check Stock	Request a Sample	Send Us An Email

Generated Part Number

Part Number Builder

-
 Series Type Color Option Plating Option

Series

KLPX - RCA Phono Jack

Type

0848-2 - Vertical Mount
0848A-2 - Right Angle Mount

Color Option

B - Black
R - Red
W - White
Y - Yellow

Barrel Plating Option

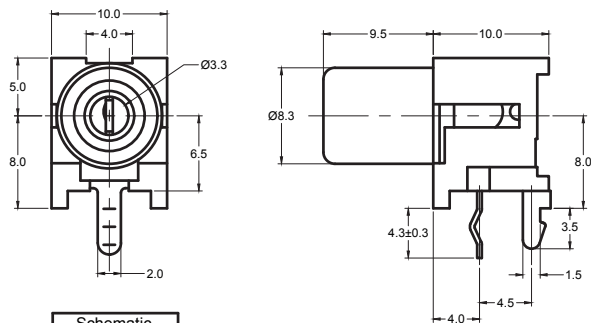
Blank - Nickel Plating

Contact Kycon for other options

KLPX


Dimensions in mm

KLPX-0848A-2-x



Looking for pricing, stock, or lifecycle information?

Click below to explore more details on WIN SOURCE:

 [View KLPX-0848A-2-W-G on WIN SOURCE](#)

 [Kycon, Inc. Information](#)

Optimize Your Supply Chain with WIN SOURCE Solutions

-  Global Sourcing Solution
-  Obsolete Management
-  Cost Control Management
-  Shortage Management
-  Alternative Solution
-  Excess Inventory Management